



- Universal 90-264VAC Input
- High Efficiency
- Improved EMI Performance
- 4242VDC Isolation
- Single, Dual and Triple Outputs



Model Number	Output Voltage	Output Amps FL (peak)	Ripple/Noise	Efficiency
SINGLE OUTPUT - PCB Mount				
ESCA-1500	3.3 VDC	3.5A (3.8A)	165mV pk-pk	70%
ESCA-1501	5 VDC	3A (3.6A)	100mV pk-pk	72%
ESCA-1522	9 VDC	1.66A (1.9A)	90mV pk-pk	72%
ESCA-1502	12 VDC	1.25A (1.5A)	120mV pk-pk	75%
ESCA-1503	15 VDC	1A (1.25A)	150mV pk-pk	76%
ESCA-1518	18 VDC	0.83A (1A)	180mV pk-pk	77%
ESCA-1505	24VDC	0.63A (0.75A)	240mV pk-pk	78%
SINGLE OUTPUT - Chassis Mount				
ESCC-1500	3.3 VDC	3.5A (3.8A)	165mV pk-pk	70%
ESCC-1501	5 VDC	3A (3.6A)	100mV pk-pk	72%
ESCC-1522	9 VDC	1.66A (1.9A)	90mV pk-pk	72%
ESCC-1502	12 VDC	1.25A (1.5A)	120mV pk-pk	75%
ESCC-1503	15VDC	1A (1.25A)	150mV pk-pk	76%
ESCC-1518	18 VDC	0.83A (1A)	180mV pk-pk	77%
ESCC-1505	24VDC	0.63A (0.75A)	240mV pk-pk	78%
SINGLE OUTPUT - DIN Rail Mount				
ESCC-1500/DRL	3.3 VDC	3.5A (3.8A)	165mV pk-pk	70%
ESCC-1501/DRL	5 VDC	3A (3.6A)	100mV pk-pk	72%
ESCC-1522/DRL	9 VDC	1.66A (1.9A)	90mV pk-pk	72%
ESCC-1502/DRL	12 VDC	1.25A (1.5A)	120mV pk-pk	75%
ESCC-1503/DRL	15VDC	1A (1.25A)	150mV pk-pk	76%
ESCC-1518/DRL	18 VDC	0.83A (1A)	180mV pk-pk	77%
ESCC-1505/DRL	24VDC	0.63A (0.75A)	240mV pk-pk	78%



- Universal 90-264VAC Input
- High Efficiency
- Improved EMI Performance
- 4242VDC Isolation
- Single, Dual and Triple Outputs



Model Number	Output Voltage	Output Amps FL (peak)	Ripple/Noise	Efficiency
DUAL OUTPUT - PCB Mount				
EDCA-1506	±12 VDC	±0.63A (±0.8A)	±50 mV pk-pk	77%
EDCA-1507	±15 VDC	±0.5A (±0.65A)	±50 mV pk-pk	78%
EDCA-1508	5/12 VDC	1.5/0.65A (1.8/0.8A)	±50 mV pk-pk	74%
DUAL OUTPUT - Chassis Mount				
EDCC-1506	±12 VDC	±0.63A (±0.8A)	±50 mV pk-pk	77%
EDCC-1507	±15 VDC	±0.5A (±0.65A)	±50 mV pk-pk	78%
EDCC-1508	5/12 VDC	1.5/0.65A (1.8/0.8A)	±50 mV pk-pk	74%
DUAL OUTPUT - DIN Rail Mount				
EDCC-1506/DRL	±12 VDC	±0.63A (±0.8A)	±50 mV pk-pk	77%
EDCC-1507/DRL	±15 VDC	±0.5A (±0.65A)	±50 mV pk-pk	78%
EDCC-1508/DRL	5/12 VDC	1.5/0.65A (1.8/0.8A)	±50 mV pk-pk	74%
TRIPLE OUTPUT - PCB Mount				
ETCA-1509	5 ±12 VDC	2.5 ±0.1 A / 2.8 ±0.13 A	50 ±75 mV pk-pk	70%
ETCA-1511	5 ±15 VDC	2.5 ±0.1 A / 2.8 ±0.13 A	50 ±75 mV pk-pk	71%
TRIPLE OUTPUT - Chassis Mount				
ETCC-1509	5 ±12 VDC	2.5 ±0.1 A / 2.8 ±0.13 A	50 ±75 mV pk-pk	70%
ETCC-1511	5 ±15 VDC	2.5 ±0.1 A / 2.8 ±0.13 A	50 ±75 mV pk-pk	71%
TRIPLE OUTPUT - DIN Rail Mount				
ETCC-1509/DRL	5 ±12 VDC	2.5 ±0.1 A / 2.8 ±0.13 A	50 ±75 mV pk-pk	70%
ETCC-1511/DRL	5 ±15 VDC	2.5 ±0.1 A / 2.8 ±0.13 A	50 ±75 mV pk-pk	71%

15W Ultraminiature Encapsulated Switching Power Supplies

ECA15 series

INPUT SPECIFICATIONS

Input Voltage Range	90-264 VAC / 120~380 Volts(DC)
Frequency Range	47-63 Hz
Inrush Current, typ:	20A@115VAC; 40A@230VAC

OUTPUT SPECIFICATIONS

Voltage and Current	See Selection Chart
Load Regulation (Note 6,7)	
	Single/Duals(EDCC/A-1506/07/DRL) $\pm 3\%$
	Duals (EDCC/A-1508;EDCC-1508/DRL) 0.5/3%
	Triple 0.2/ $\pm 0.3\%$ typ
Line Regulation (typ) (Note 8)	
	Single $\pm 0.1\sim 1\%$
	Duals(EDCC/A-1506/07/DRL) $\pm 0.3\sim 1\%$
	Duals (EDCC/A-1508;EDCC-1508/DRL) 0.5/0.5%
	Triple 0.3/ $\pm 0.1\%$
Cross Regulation (Note 11)	
	Duals(EDCC/A-1506/07/DRL) 2%
	Duals (EDCC/A-1508;EDCC-1508/DRL) 0.5/3% typ
	Triple NA/ $\pm 0.1\%$ (Note 11)
Preset Accuracy (Note 9)	
	Single/Duals(EDCC/A-1506/07/DRL) 1%
	Duals (EDCC/A-1508;EDCC-1508/DRL) 2/5%
	Triple 1/ $\pm 5\%$
Over Voltage Protection	Clamp, 130-150%
Over Temp. Protection	Latching, cool and re-power
Short Circuit Protection (Note 3)	Indefinite
Hold Up Time	20 mS, typ

GENERAL SPECIFICATIONS

Isolation (Note 4)	4242VDC I/P-O/P
	3535VDC I/P-Ground
	1414VDC O/P-Ground
Efficiency	See Selection Chart
Switching Frequency	100Khz, (fixed, typical)
Safety	UL60950-1, EN60950-1
EMC /EMI	EN55022; FCC/A, VDE 0871/A , CISPRB

All specifications are typical at nominal input, full load, and 25°C unless otherwise noted

PHYSICAL SPECIFICATIONS

Size	PCB Mount	2.75L" x 1.89W" x 0.93H"
	Chassis Mount	3.96L" x 2.16W" x 1.0H"
	Din Rail	3.96L" x 2.16W" x 1.35H"
Case Material	Rynite, 94V-0 Rated	
Construction	Encapsulated. Soft Pot	
Weight	PCB/ CHA / DinRail 4.6oz (128g) / 8.5oz (238g)/ 11.5oz(326g)	

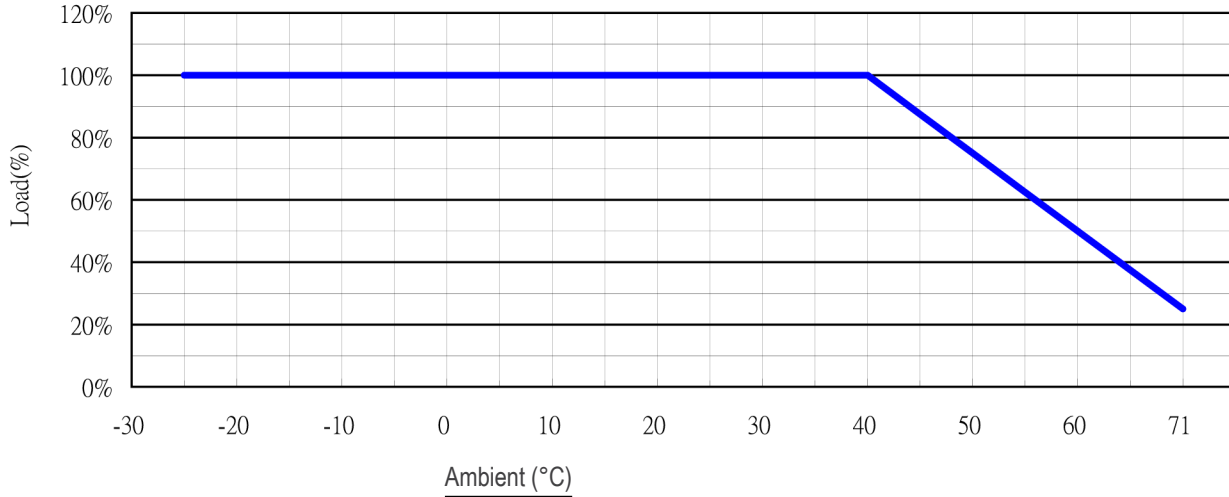
ENVIRONMENTAL SPECIFICATIONS

Oper. Temperature (Note 5)	0 to +40°C (See Derate)
Storage Temperature	-25 to +71°C
Relative Humidity	0 to + 95%, non-cond
MTBF	(Mil Std 217, 25°C) 575,000 Hrs
Temperature Coefficient	$\pm 0.03\%/^{\circ}\text{C}$

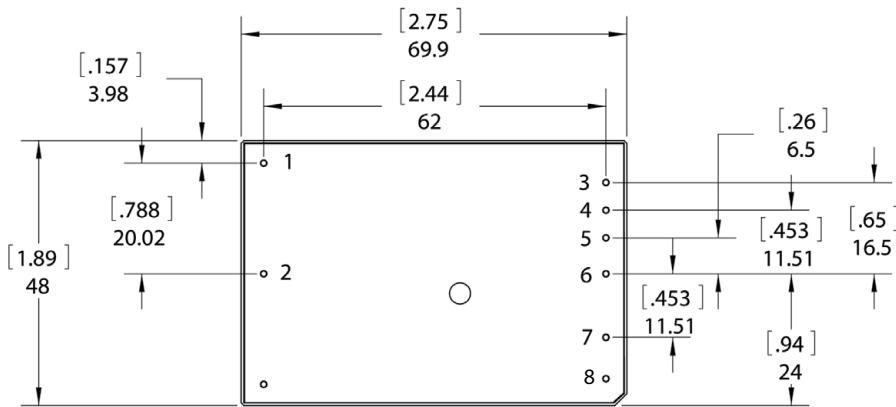
NOTE

1. All measurements should be made directly at the terminals of the power supply.
2. Ripple and Noise depend upon output voltage as specified per particular model.
3. Short Circuit Protection is self-recovering when overcurrent condition is removed.
4. Isolation for up to 1minute duration.
5. Specified for free-air convection cooling.
6. Minimum load is NOT required for proper operation. However, auxiliary outputs should be reduced as a function of primary output minimum load or load regulation will be higher.
7. Load regulation measured from 20% to FL.
8. Line regulation measured from 90VAC 264VAC.
9. Preset accuracy measured at nominal load, 120 VAC input.
10. O/P noise measured directly at pins/terminals at nom. load, 0.1uF bypass, pk-pk @20MHz bandwidth.
11. Cross Reg-Triples: Measured at nom. load with the 5V output varied between 60% and 100% of nom. load.
12. 100% Production Tested.

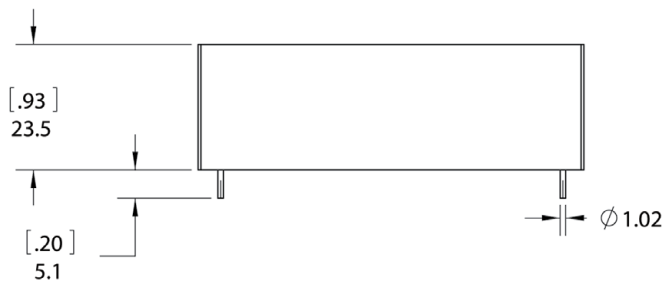
OUTPUT DERATING CURVE



MECHANICAL DIMENSIONS

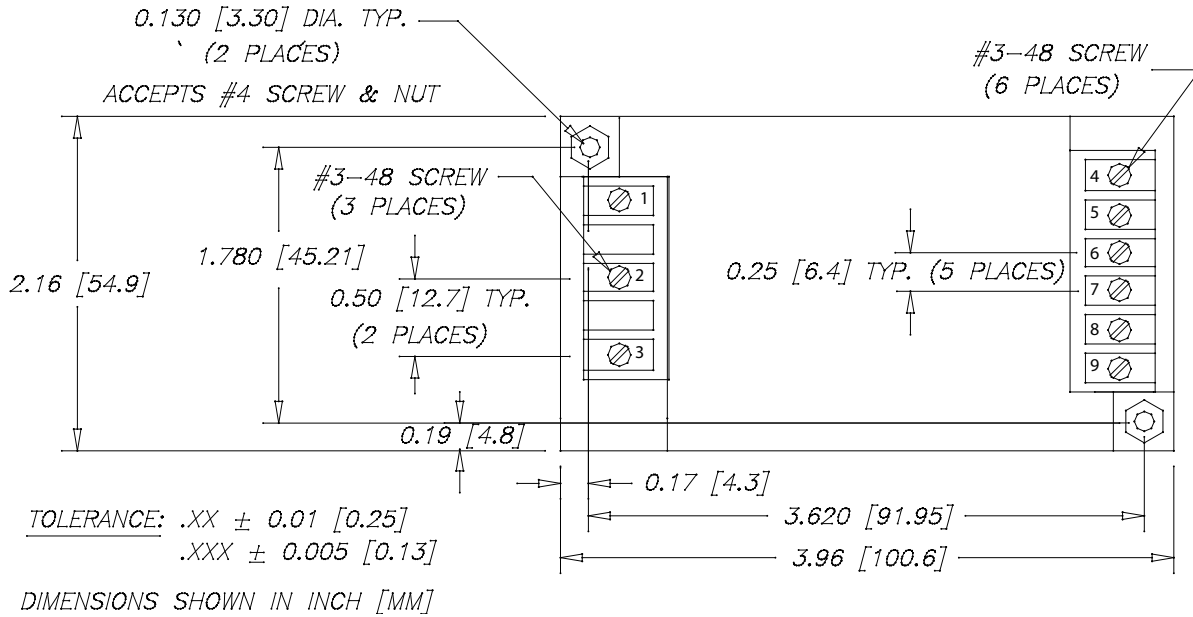


PIN - OUT VIEWED FROM BOTTOM

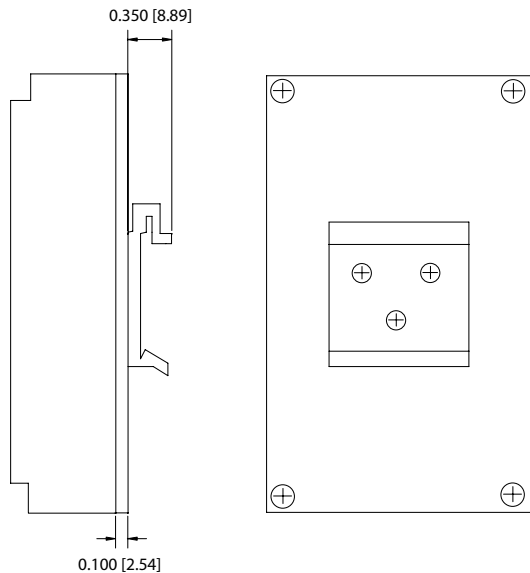


Model Type / Pin#	Single	Dual	Dual(1508)	Triple
1	ACL	ACL	ACL	ACL
2	ACN	ACN	ACN	ACN
3	No Pin	No Pin	No Pin	+Vout
4	+Vout	+Vout	+12V	COM
5	No Pin	No Pin	No Pin	-Vout
6	No Pin	COM	+5V	+5Vout
7	-Vout	-Vout	COM	+5VRTN
8	No Pin	No Pin	No Pin	No Pin

MECHANICAL DIMENSIONS - CHASSIS MOUNT



MECHANICAL DIMENSIONS - DIN RAIL



Model

Type / Pin#	Single	Dual	Dual (1508)	Triple
1	ACN	ACN	ACN	ACN
2	N/C	N/C	N/C	N/C
3	ACL	ACL	ACL	ACL
4	N/C	N/C	N/C	N/C
5	-Vout	-Vout	Com	+5RTN
6	-Vout	Com	Com	+5Vout
7	+Vout	Com	+5V	-Vout
8	+Vout	+Vout	+12V	Com
9	N/C	N/C	N/C	+Vout

DIN Rail mounting kit available for Chassis-mount modules, specify part # M-DRL-01. Kit includes mounting plate, DIN Rail clip and assembly hardware.