

- Isolated Output
- Universal AC input
- Protections: Short circuit / Overload / Over voltage
- Cooling by free air convection
- LED indicator for power on
- All using 105°C long life electrolytic capacitors



Model Number	Output Volts	Output Amps	Ripple & Noise	Line Regulation	Load Regulation	Volt Tolerance
SINGLE OUTPUT						
RID-85A	5 Volts(DC)	8 Amps	80mV pk-pk	±0.5%	±1.0%	±2.0%
	12 Volts(DC)	4 Amps	120mV pk-pk	±1.0%	±3.0%	±8.0%
RID-85B	5 Volts(DC)	8 Amps	80mV pk-pk	±0.5%	±1.0%	±2.0%
	24 Volts(DC)	2 Amps	120mV pk-pk	±1.0%	±5.0%	±5.0%



85W Dual Output Switching Power Supply

RID-85 series

INPUT SPECIFICATIONS

Input Voltage Range	90 ~ 264 VAC; 125~373 Volts(DC)
Frequency Range	47-63 Hz
Inrush Current, typ: (cold start)	40Amps/230VAC
Input Current	2.5Amps. @ 115VAC 1.5 Amps. @ 230VAC
Leakage current	< 2mAmps /240VAC
DC Voltage Adjust	5Volts only: 4.75 ~ 5.5V

OUTPUT SPECIFICATIONS

Voltage and Current	See Selection Chart
Line Regulation (Note 3)	See Selection Chart
Load Regulation (Note 4)	See Selection Chart
Voltage Tolerance (Note 2)	See Selection Chart
Ripple/Noise (Note 1)	See Selection Chart
Hold Up Time @ FL	100mS/230VAC 18mS/115VAC
Setup, Rise Time @ FL	500ms, 20m/230VAC 1200mS, 30mS/115VAC
Over Voltage Protection	5Volts only: 5.75 ~ 6.75VDC Hiccup mode, auto recover
Over Current Protection	110 ~ 150% rated output power Hiccup mode, auto recover
Min load	5Volts: 2 ~ 10A/ 12-24Volts: 0.3 ~ 5A

GENERAL SPECIFICATIONS

Safety	UL60950-1 TUV EN60950-1 Approved
Insulation Resistance	≥ 100MΩ @ 500VDC
EMI	Compliance to EN55022 (CISPR22) Class B
Harmonic Current	Compliance to EN61000-3-2,-3
Efficiency	80%(RID-85A) / 81%(RID-85B)
Isolation	3000VAC Input - Output 1500VAC Input - Ground 500VAC Output - Ground

All specifications are typical at nominal input, full load, and 25°C unless otherwise noted

EMS	Compliance to EN61000-4-2,3,4,5,6,8,11; ENV50204, EN55024, EN60601-1-2, heavy industry level, criteria A
-----	---

ENVIRONMENTAL SPECIFICATIONS

Oper. Temperature	-25°C to +70°C (See Derate Curve)
Storage Temperature	-40°C to +85°C, 10~95%RH
Relative Humidity	20 to +90% RH non condi
Temperature Coefficient	±0.03% / °C (0-50°C) on +5Voutput
MTBF	239.4 KHrs min, MIL-HDBK-217F(25°C)
Vibration	10~500Hz, 5G10min./1cycle, period for 60min. each along X, Y, Z axes

PHYSICAL SPECIFICATIONS

Size	Millimeters	159 x 97 x 38
	Inches	6.26" x 3.82" x 1.50"
Weight		21.16 oz (600g)

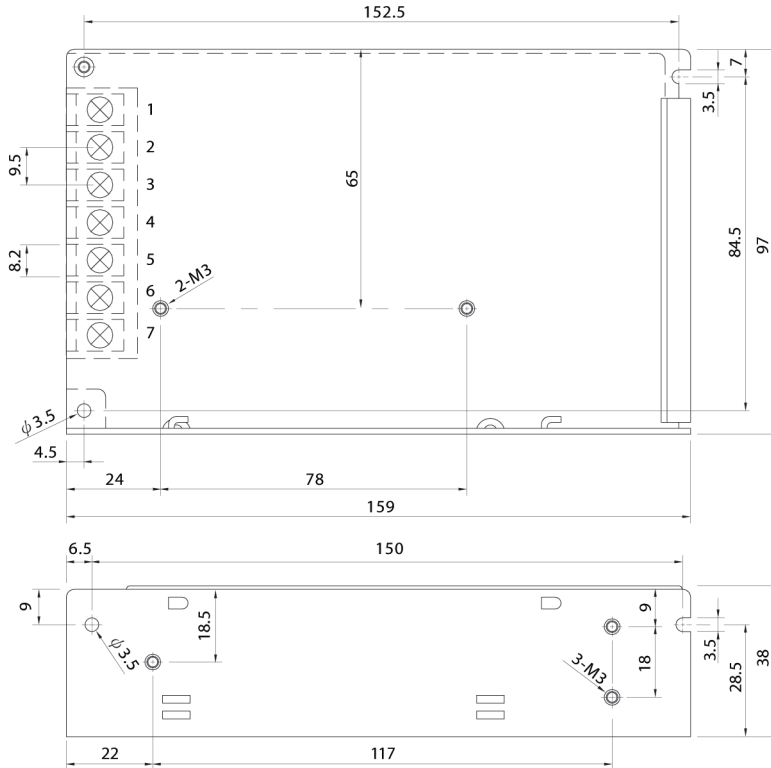
NOTE

1. Ripple & noise are measured at 20MHz of bandwidth by using a 12" twisted pair-wire terminated with a 0.1uf & 47uf parallel capacitor.
2. Tolerance : includes set up tolerance, line regulation and load regulation.
3. Line regulation is measured from low line to high line at rated load.
4. Load regulation is measured from 20% to 100% rated load, and other output at 60% rated load.

Astrodyne products are not authorized or warranted for use as critical components in life support systems, equipment used in hazardous environments, nuclear controls systems, or other mission-critical applications.

Mechanical Specification

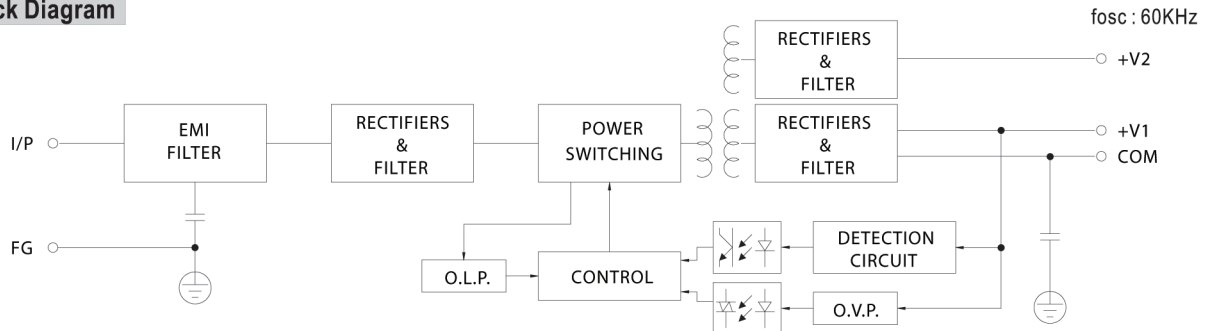
Case No. 901C Unit:mm



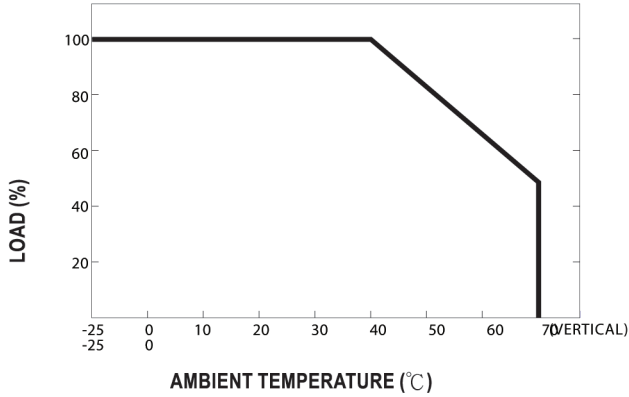
Terminal Pin No. Assignment

Pin No.	Assignment	Pin No.	Assignment
1	AC/L	5	DC OUTPUT +V2
2	AC/N	6	DC OUTPUT G1
3	FG \perp	7	DC OUTPUT +V1
4	DC OUTPUT G2		

Block Diagram



■ Derating Curve



■ Static Characteristics

