

1.77"W x 2.56"L x 0.94"H

- Universal 90-264VAC Input
- High Efficiency
- Regulated Outputs
- 3000VAC Isolation
- Single and Dual Outputs
- Full Safety Approvals



Model Number	Output Voltage	Output Amps(max)	(pk)
<b>SINGLE OUTPUT</b>			
OFM-0100	3.3 VDC	2.5A	3.3A
OFM-0101	5 VDC	2A	2.6A
OFM-0102	12 VDC	0.85A	1.2A
OFM-0103	15VDC	0.67A	0.9A
OFM-0105	24VDC	0.42A	0.6A
<b>DUAL OUTPUT</b>			
OFM-0106	+/-12VDC	+/-0.42A	+/-0.6A
OFM-0107	+/-15VDC	+/-0.34A	+/-0.45A

**INPUT SPECIFICATIONS**

Input Voltage Range	90-264 VAC (100-240VAC nom.)
Frequency Range	47-440 Hz (50-60Hz nom.)
Inrush Current, typ:	20A@100V, 40A@200V Input *

**OUTPUT SPECIFICATIONS**

Voltage and Current	See Selection Chart
Load Regulation (20%-FL)	Single: +/- 3%, Duals: +/- 3%
Line Regulation	Single +/- 0.1~1%, typ Duals +/- 0.3~1%, typ
Cross Regulation (Duals)	2%
Preset Accuracy	1%
DC Voltage Adjust (typ)	+/- 6% of FS (Primary)
Temperature Coefficient	+/-0.03%/°C
Ripple/Noise	Single Output: 100mV Pk-Pk, typ Dual Output: 200mV Pk-Pk, typ
Over Voltage Protection	Clamp, 110-150%; 3.3V:170-200% *
Short Circuit Protection	Continuous, self-recovering
Hold Up Time	20 mS, typ

**GENERAL SPECIFICATIONS**

Input-Out Isolation	3KVAC
Efficiency typ.	74% - 81% (3.3V: 67%; 5V: 71%)
Switching Frequency	100Khz, (fixed, typical)
Safety UL/cUL:	UL60950-1 2nd ed./ C22.2 60950-1 2nd ed.
UL-EU:	EN60950-1 2nd ed.
CE:	EN60601-1-2
CB:	IEC60950-1 2nd ed.

**PHYSICAL SPECIFICATIONS**

Size	1.77" x 2.56" x 0.94"
Construction	Open Frame
Weight	1.6oz (44g)

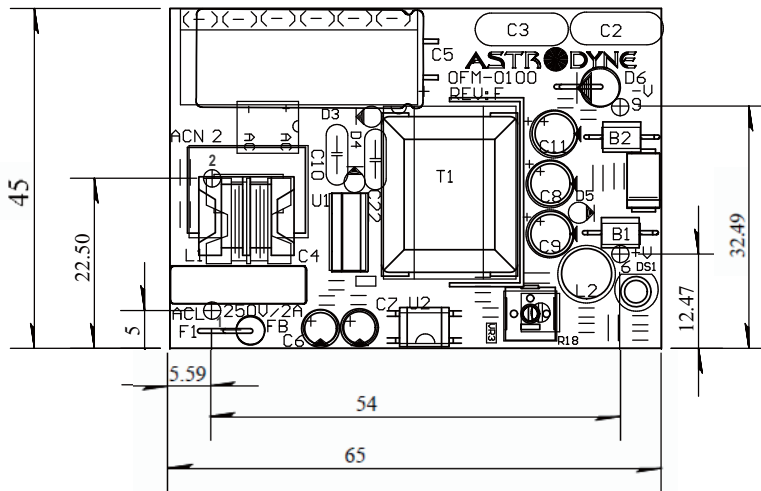
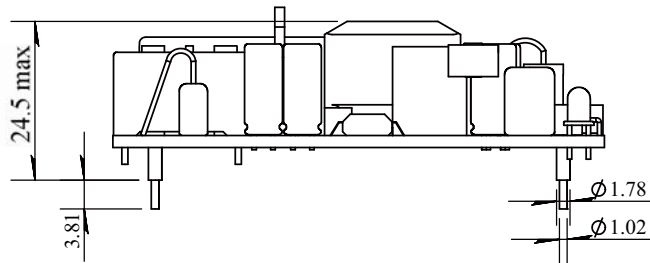
**ENVIRONMENTAL SPECIFICATIONS**

Oper. Temperature	0 to +70°C (See Derate)
Storage Temperature	-25 to +71°C *
Relative Humidity	0 to + 95%, non-cond *
EMC	EN55011 Class B
MTBF (Mil Std 217, 25°C)	575,000 Hrs

*All specifications are typical at nominal input, full load, and 25°C unless otherwise noted*

\* These are stress ratings. Exposure of the devices to any of these conditions may adversely affect long term reliability. Proper operation under conditions other than the standard operating conditions is neither warranted nor implied.

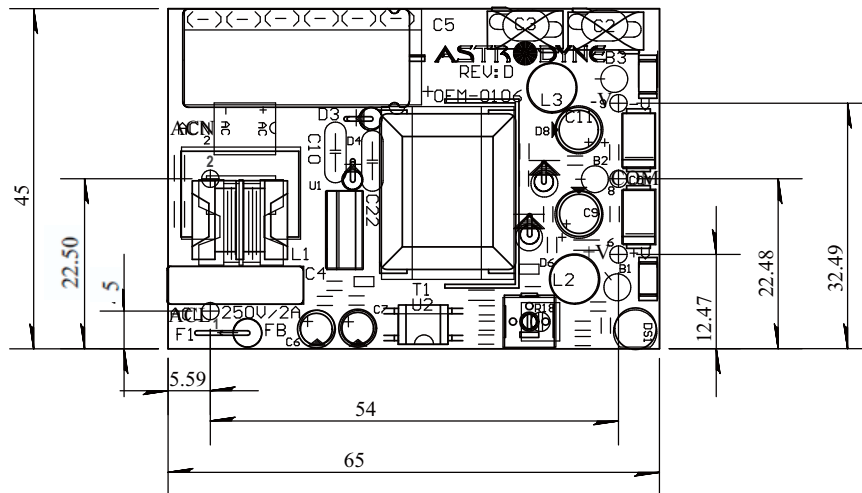
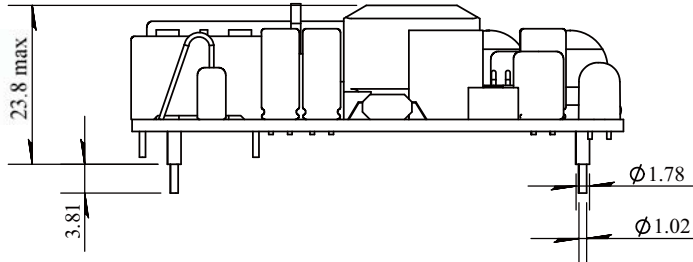
**MECHANICAL DIMENSIONS - SINGLE OUTPUT**



**Pin #      Single Outputs**

1	AC Line
2	AC Neutral
6	+ Output
8	No Pin
9	- Output

**MECHANICAL DIMENSIONS - DUAL OUTPUT**



Pin #	Dual Outputs
1	AC Line
2	AC Neutral
6	+Output
8	Common
9	- Output

**OUTPUT DERATING CURVE**

