

150 Watt Open Frame Switching Power Supply with PFC

**PMK150** series



3"W x 5.5"L x 1.437"H

- 150 Watts Output Power
- Single and Dual Outputs
- Universal 90-264VAC Input
- 5VDC to 48VDC Outputs
- 4242VDC Input to Output Isolation
- Active Power Factor Correction



<b>Model Number</b>	<b>Output Voltage</b>	<b>Output Amps (max)</b>	<b>Line Regulation (max)</b>	<b>Ripple &amp; Noise</b>
<b>SINGLE OUTPUT</b>				
PMK150S-5	5 VDC	30	±1%	150mV pk-pk
PMK150S-12	12 VDC	12.5	±1%	150mV pk-pk
PMK150S-15	15 VDC	10	±1%	150mV pk-pk
PMK150S-24	24 VDC	6.3	±1%	150mV pk-pk
PMK150S-48	48 VDC	3.2	±1%	250mV pk-pk
<b>DUAL OUTPUT</b>				
PMK150D-A	5/12 VDC	15/7	±0.5/1%	50/100mV pk-pk
PMK150D-B	5/24 VDC	15/3.5	±0.5/2%	50/200mV pk-pk
PMK150D-C	12/24 VDC	7/3.5	±1/2%	100/200mV pk-pk
PMK150D-D	12/48 VDC	7/1.5	±1/4%	100/400mV pk-pk

## 150 Watt Open Frame Switching Power Supply with PFC

## PMK150 series

### INPUT SPECIFICATIONS

Input Voltage Range	90-264 VAC (100-240VAC nom.)
Frequency Range	47-63 Hz
Power Factor Correction	0.96 min. at nom. Input
Inrush Current, typ at cold start:	30A @ 115VAC 60A @ 230VAC *
Leakage Current	<3.5mA @ 264VAC, 50Hz

### OUTPUT SPECIFICATIONS

Voltage and Current (Note 6)	See Selection Chart
Line Regulation (Note 8)	See Selection Chart
Load Regulation (20%-FL)	Singles: $\pm 1\%$ , max.
Cross Regulation (note 7)	Duals: $\pm 3/5\%$
Preset Accuracy (Note 9)	$\pm 1\%$ , typ
Over Voltage Protection	130% max. of nom. input Auto Recover after fault condition is removed *
Over Current Protection	150% max. of FL at nom. input
Short Circuit Protection	Auto Recover after fault condition is removed *
Hold Up Time	20mS, typ (Nom I/P, FL)

### GENERAL SPECIFICATIONS

Isolation (Note 4)	I/P-O/P: 4242VDC I/P-Ground: 2828VDC O/P-Ground: 707 VDC
Efficiency	75%, min. at nom. input
Safety UL/cUL:	UL60950-1 2nd ed./ C22.2 60950-1 2nd ed.
UL-EU:	EN60950-1 2nd ed.
CE:	EN60601-1-2
CB:	IEC60950-1 2nd ed.

All specifications are typical at nominal input, full load, and 25°C unless otherwise noted

\* These are stress ratings. Exposure of the devices to any of these conditions may adversely affect long term reliability. Proper operation under conditions other than the standard operating conditions is neither warranted nor implied.

### ENVIRONMENTAL SPECIFICATIONS

Oper. Temperature	-10 to +70°C (See Derate Curve)
Storage Temperature	-25 to +85°C *
Relative Humidity	0% to +95%, non-cond *
EMC	EN55011 Class B
MTBF	270,000 Hrs Mil Std 217, 25°C

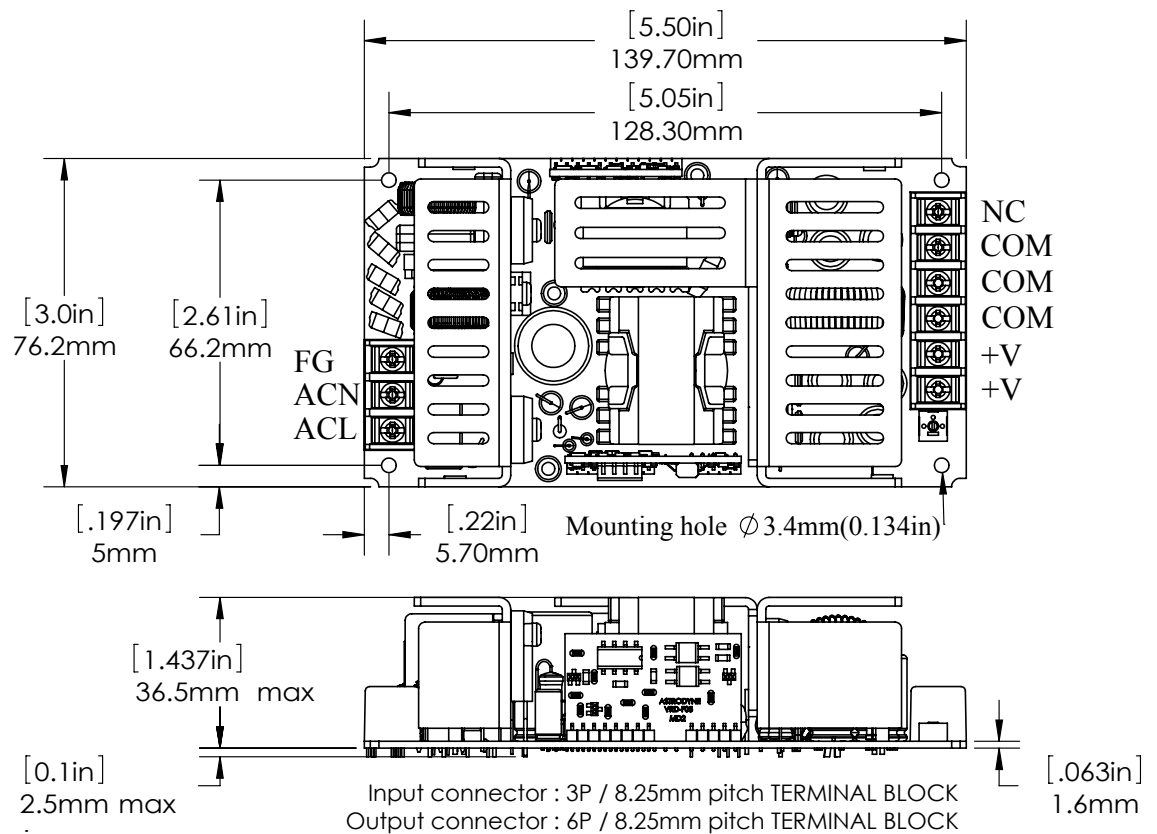
### PHYSICAL SPECIFICATIONS

Size	3" x 5.5" x 1.437"
Construction	Open Frame
Weight	1.0 lb, (454g)

### NOTES

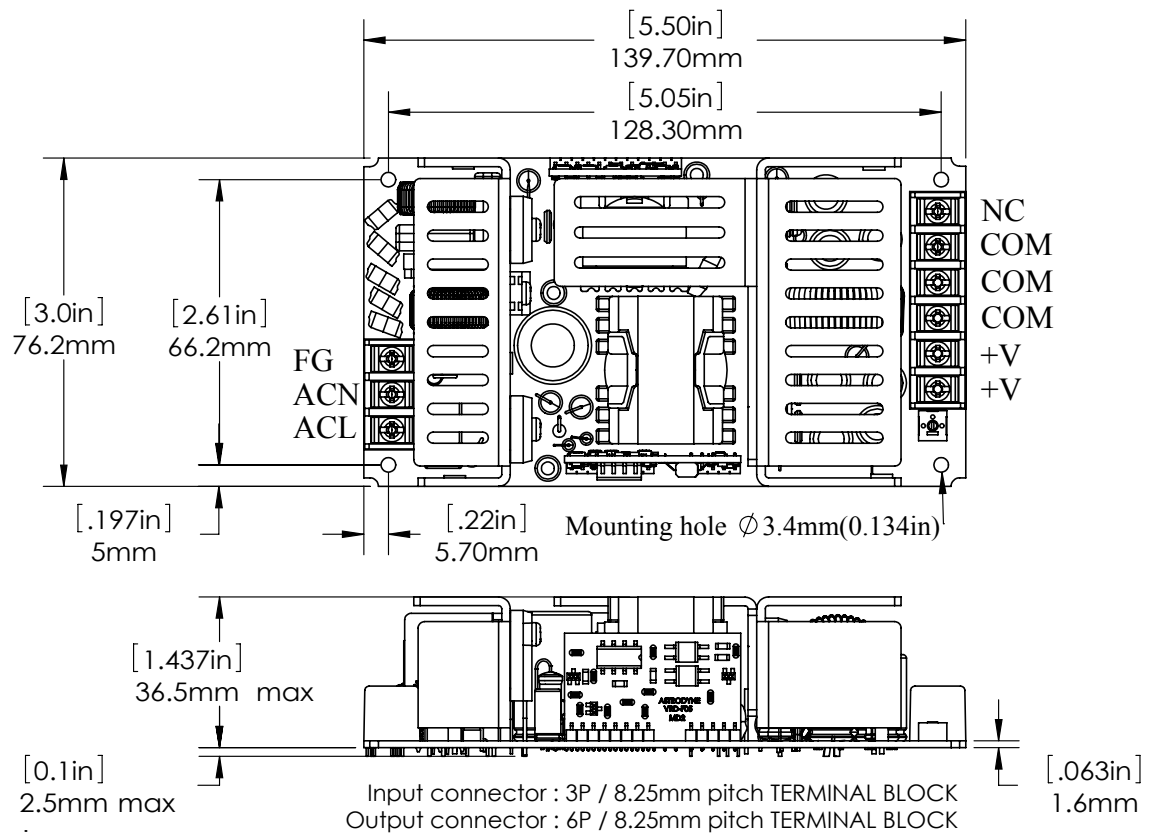
1. All measurements should be made directly at the terminals of the power supply
2. All specifications typical @ 25°C, unless otherwise noted, at nominal line and load.
3. Ripple and noise dependent upon output voltage as specified per particular model.
4. Isolation for up to 1 minute duration.
5. Specified for free air convection cooling.
6. Minimum load is not required for proper operation.
7. Cross Regulation is measured by change  $\pm 40\%$  of measured output load from 60% full load, with the other output set to 60% full load.
8. Line Regulation measured from 90-264VAC. 100VAC minimum required for full load start.
9. Preset Accuracy measured at nominal load, 120VAC input.
10. O/P Noise measured directly at the pins/terminals at nominal load, 0.1uF bypass and 47uF electrolytic, pk-pk @ 20MHz bandwidth.

**MECHANICAL DIMENSIONS - SINGLE OUTPUT**



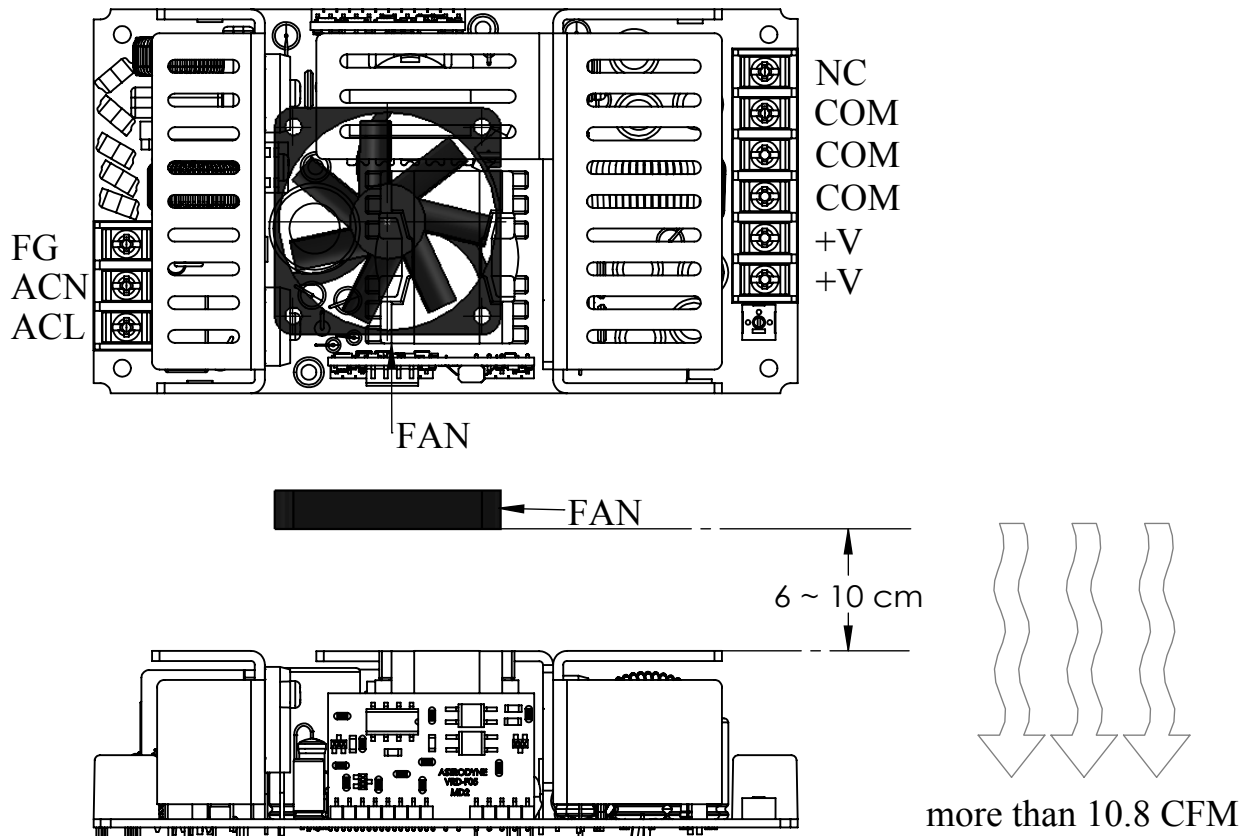
**NOTE :**  
Maximum overall dimensions  
139.9mm(5.508in)L  
x 76.4mm(3.008in)W  
x 36.5mm(1.437in)H

**MECHANICAL DIMENSIONS - DUAL OUTPUT**

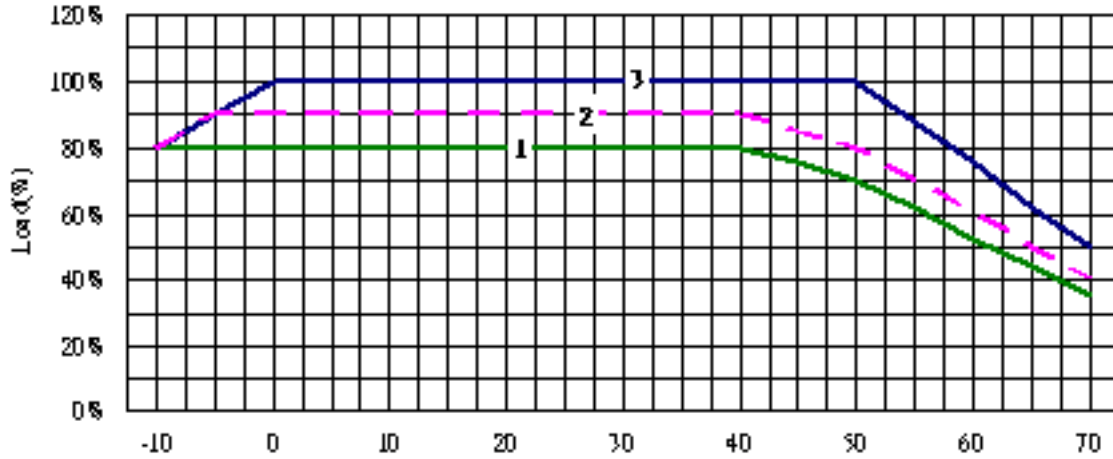


**NOTE :**  
Maximum overall dimensions  
139.9mm(5.508in)L  
x 76.4mm(3.008in)W  
x 36.5mm(1.437in)H

**MECHANICAL DIMENSIONS - FAN PLACEMENT**

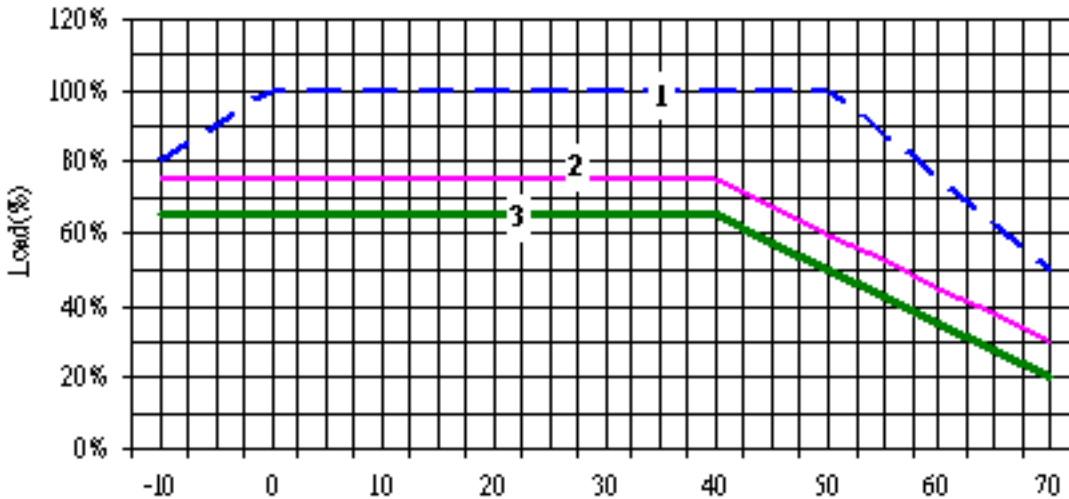


**OUTPUT DERATING CURVE - SINGLE OUTPUT**



1. 5V convection
2. 12、15、24、48V convection
3. Forced air cooling 10CFM

**OUTPUT DERATING CURVE - DUAL OUTPUT**



1. Forced air colling 10 CFM
2. Free air convection  
- Open Frame, U-Channel
3. Free air convection  
- Enclosed