



# ACE714C

## Max. 3MHz, Variable Frequency Step-up DC/DC Converter

### Description

The ACE714C variable frequency step-up Converter drives white LEDs with a constant current to provide backlight in cell phones, PDAs, and other handheld devices. It features allowing series connection of the white LEDs so that the LED currents are identical for uniform brightness. An enable input can be pulsed repeatedly to adjust LEDs brightness. The fast 3MHz operation frequency allows for smaller capacitor and inductor. Fault condition protection uses cycle-by cycle current limiting to sense maximum inductor current and over-voltage protection. The 0.2V low reference voltage minimized the power loss across the current sense resistor.

The converter can operate from 2V to 6V, and capable of delivering maximum 250mA output current at 4-LEDs application with 3V input voltage is as low as 120uA. All of these features make ACE714C be suitable for the portable devices, which are supplied by a single battery.

### Features

- Up to 19V Output Voltage
- Wide Operation Range: 2V to 6V
- Maximum 3MHz Operating Frequency
- PWM Dimming Control
- Shutdown Current <1uA
- Current Limit Cycle-by-Cycle
- Low Current Sense Threshold: 200mV
- 19V Over Output Voltage Protection

### Application

- Compact Back Light Module
- Power Source for LED
- Constant Current Source

### Typical Application

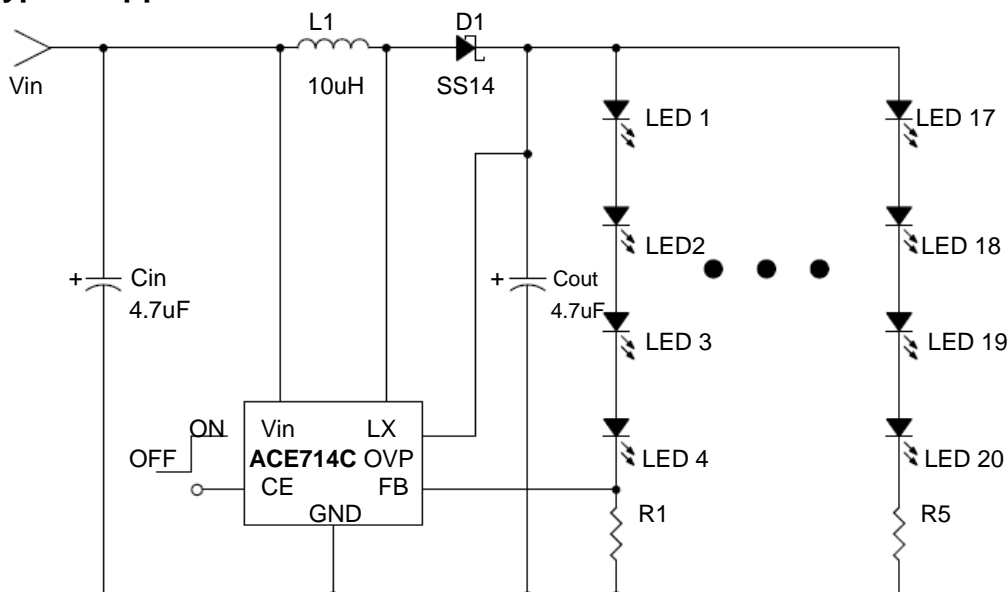


Figure 1. ACE714C Typical Application Circuit



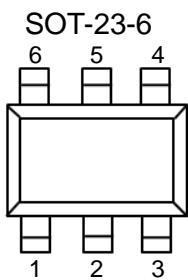
# ACE714C

Max. 3MHz, Variable Frequency Step-up DC/DC Converter

## Absolute Maximum Ratings

Parameter	Max
Input voltage	-0.3 to 8
CE Pin Voltage	-0.3 to (Vin+0.3V)
Lx Pin Output Current	1.8A
Lx Pin Voltage	19.4V
Operating Junction Temperature (T <sub>J</sub> )	125°C
Ambient Temperature (T <sub>A</sub> )	-40°C to 85°C
Power Dissipation SOT-23-6	400mW
Storage Temperature (T <sub>s</sub> )	-40°C to 150°C

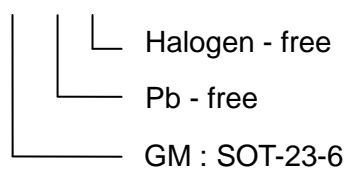
## Packaging Type



SOT-23-6	Description	Function
1	LX	Switching Pin
2	GND	Ground Pin
3	FB	Pin for Feedback Voltage
4	CE	Chip Enable Pin (Active with "H"), connect to VIN if not used
5	OVP	Over Voltage Protection
6	VIN	Power Supply Pin

## Ordering Information

ACE714C XX + H

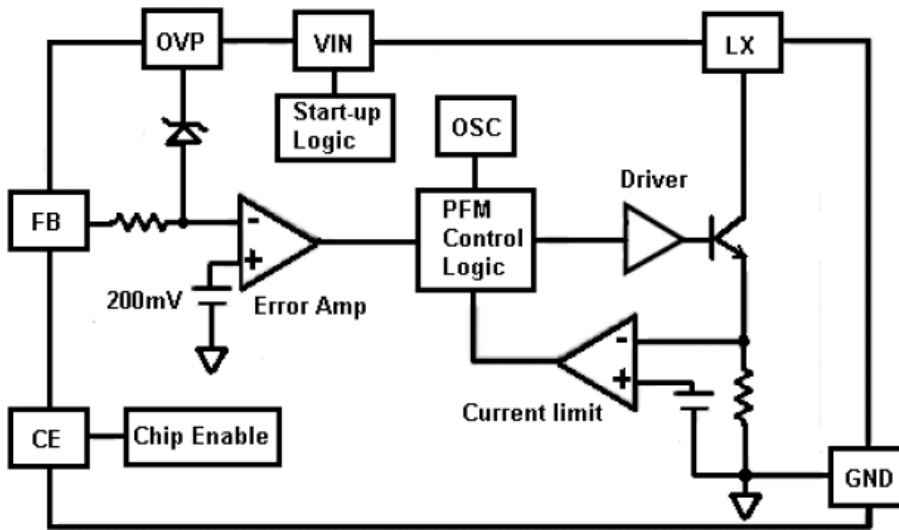




# ACE714C

Max. 3MHz, Variable Frequency Step-up DC/DC Converter

## Block Diagram



## Electrical Characteristics

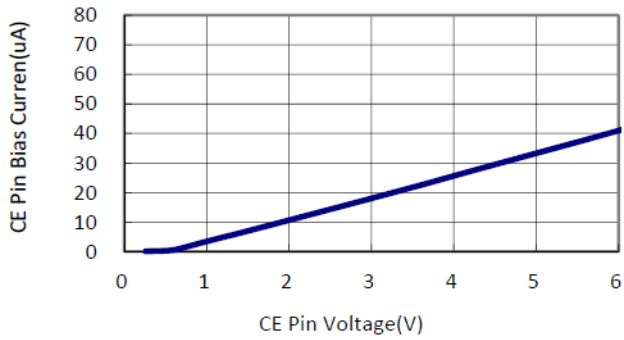
( $T_A=25^\circ\text{C}$ ,  $V_{IN}=3\text{V}$ ,  $V_{CE}=3\text{V}$ , unless otherwise noted)

Parameter	Symbol	Conditions	Min	Typ	Max	Units
Operating Input Voltage	$V_{IN}$		2		6	V
Feedback Voltage	$V_{FB}$		0.19	0.20	0.21	V
FB Pin Bias Current	$I_{FB}$		10	45	100	nA
Quiescent Current	$I_Q$	$V_{FB}=0.3\text{V}$		93	120	uA
		$V_{CE}=0\text{V}$		0.4	1.0	
Maximum switching Frequency	$F_{MAX}$	$V_{FB}=0\text{V}$ , Floating OVP Pin		3		MHz
Switching Current Limit	$I_{LIMIT}$			1.8		A
Switch Saturation Voltage	$V_{CESAT}$	$I_{LX}=300\text{mA}$		260		mV
Switching pin Leak Current	$I_{LX}$	$V_{LX}=5\text{V}$		0.11		uA
CE Voltage High	$V_{CEH}$	$V_{CE}=0$ to $3\text{V}$	1.5			V
CE Voltage Low	$V_{CEL}$	$V_{CE}=3$ to $0\text{V}$			0.4	V
CE Pin Bias Current	$I_{CE}$	$V_{IN}=V_{CE}=3\text{V}$		18		uA
Over Voltage Protection	$V_{OVP}$			19		V

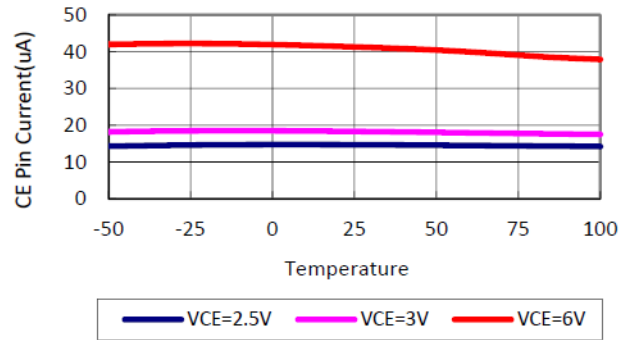


### Typical Performance Characteristics

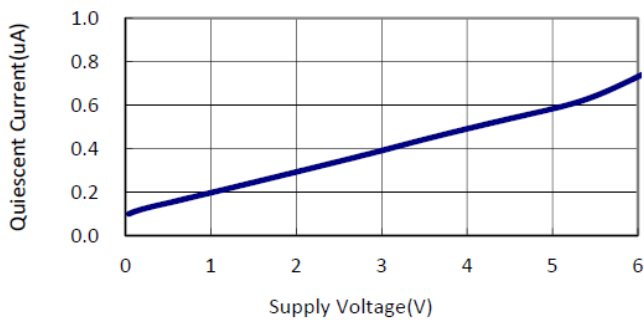
CE Pin Bias Current vs. EN pin Voltage  
(VIN=VCE)



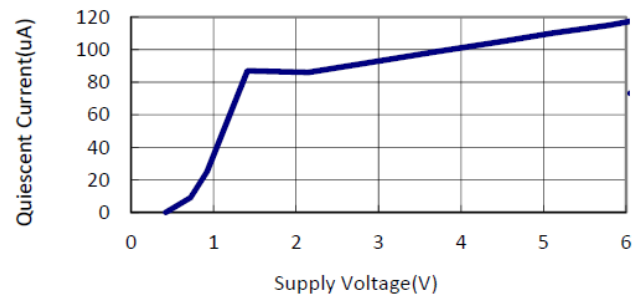
CE Pin Current vs. Temperature  
(VIN=VCE)



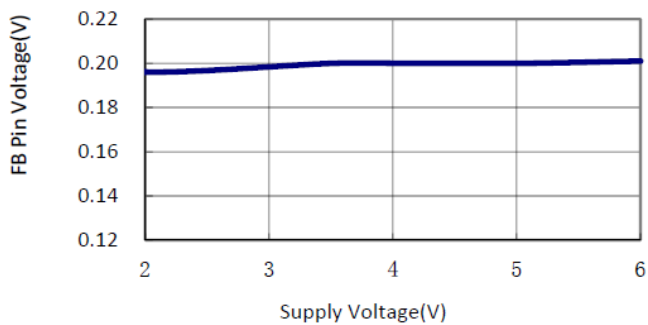
Quiescent Current vs. Supply Voltage  
(VCE=0V)



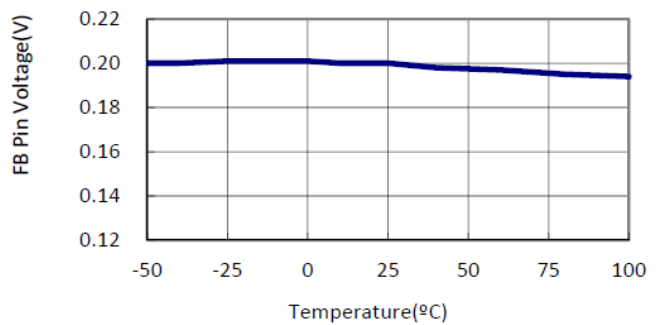
Quiescent Current vs. Supply Voltage  
(VCE=VIN, VFB=0.3V)



FB Pin Voltage vs. Supply Voltage



FB Pin Voltage vs. Temperature



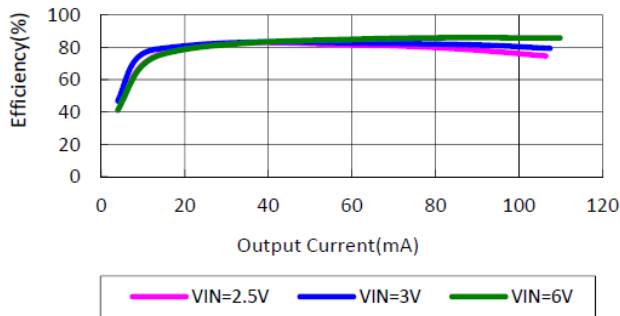


# ACE714C

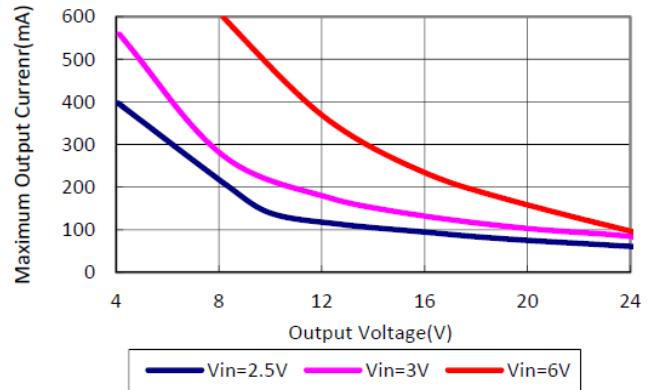
## Max. 3MHz, Variable Frequency Step-up DC/DC Converter

### Typical Performance Characteristics

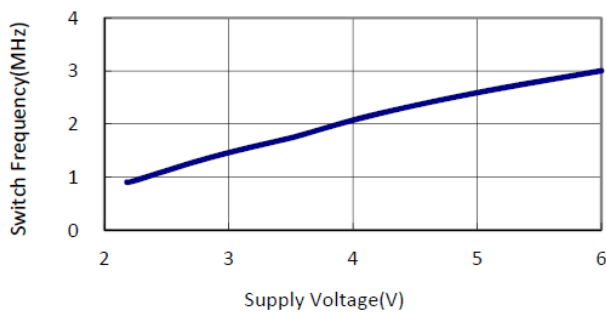
Efficiency vs. Output Current  
(4LEDs)



Maximum Output Current vs. Output Voltage



Switch Frequency vs. Supply Voltage  
(4LEDs\*100mA)



### Application Information

#### Dimming Control

##### 1. Using a PWM Signal to CE Pin

When adding the PWM signal to CE pin, the ACE714C is turned on or off by the PWM signal, so the LEDs operate at either zero or full current. The average LED current increase proportionally with the duty cycle of the PWM signal.

##### 2. Using a DC Voltage to FB Pin

From the Figure 2, we can add a DC voltage to FB pin, we adjust the LED current by changing the DC voltage, which control the brightness, DC voltage range is from 0V to 2V.



# ACE714C

Max. 3MHz, Variable Frequency Step-up DC/DC Converter

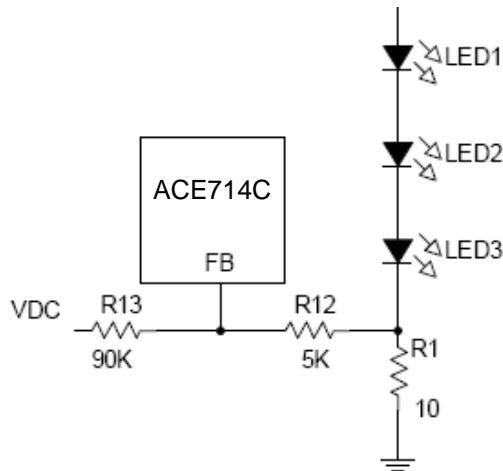


Figure 2. Dimming Control Using a DV Voltage

### 3. Using a Filtered PWM Signal to FB Pin

The filtered PWM signal can be considered as an adjustable DC voltage. It can be used to replace the variable DC voltage source in dimming control. The circuit is shown in Figure 3.

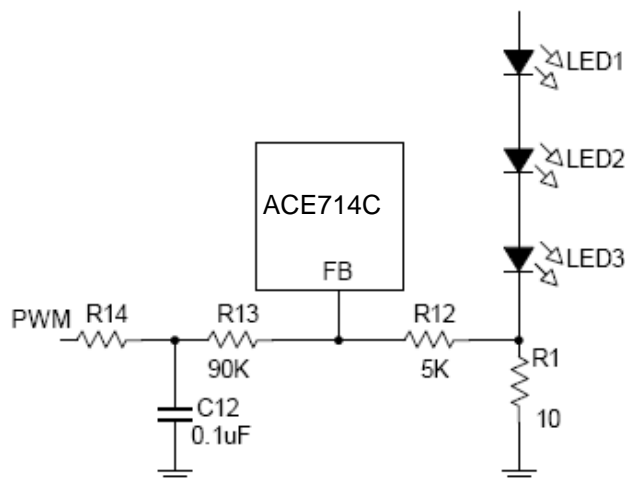


Figure 3. Dimming Control Using a Filtered PWM Signal



# ACE714C

## Max. 3MHz, Variable Frequency Step-up DC/DC Converter

### 4. PCB Layout

Layout is critical to achieve clean and stable operation. The switching power stage requires particular attention. Follow these guidelines for good PC board layout:

- 1) Place decoupling capacitors as close to the IC as possible.
- 2) Connect input and output capacitors to the same power ground node with a star ground configuration then to IC ground.
- 3) Keep the high-current paths as short and wide as possible.
- 4) If possible, connect IN, SW, and GND separately to a large copper area to help cool the IC to further improve efficiency and long-term reliability.
- 5) Ensure all feedback connections are short and direct. Place the feedback resistors as close to the IC as possible.
- 6) Route high-speed switching nodes away from sensitive analog areas

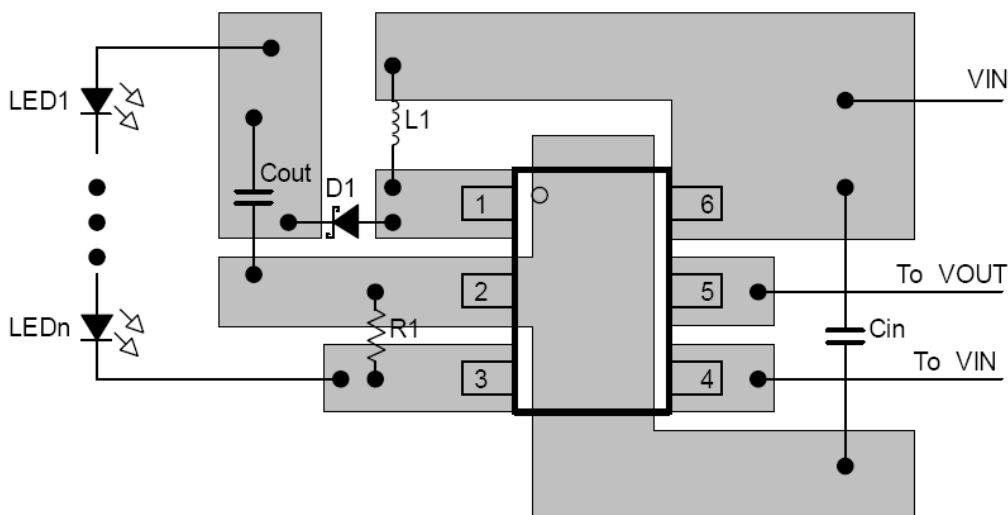


Figure 4. Recommended Component Placement

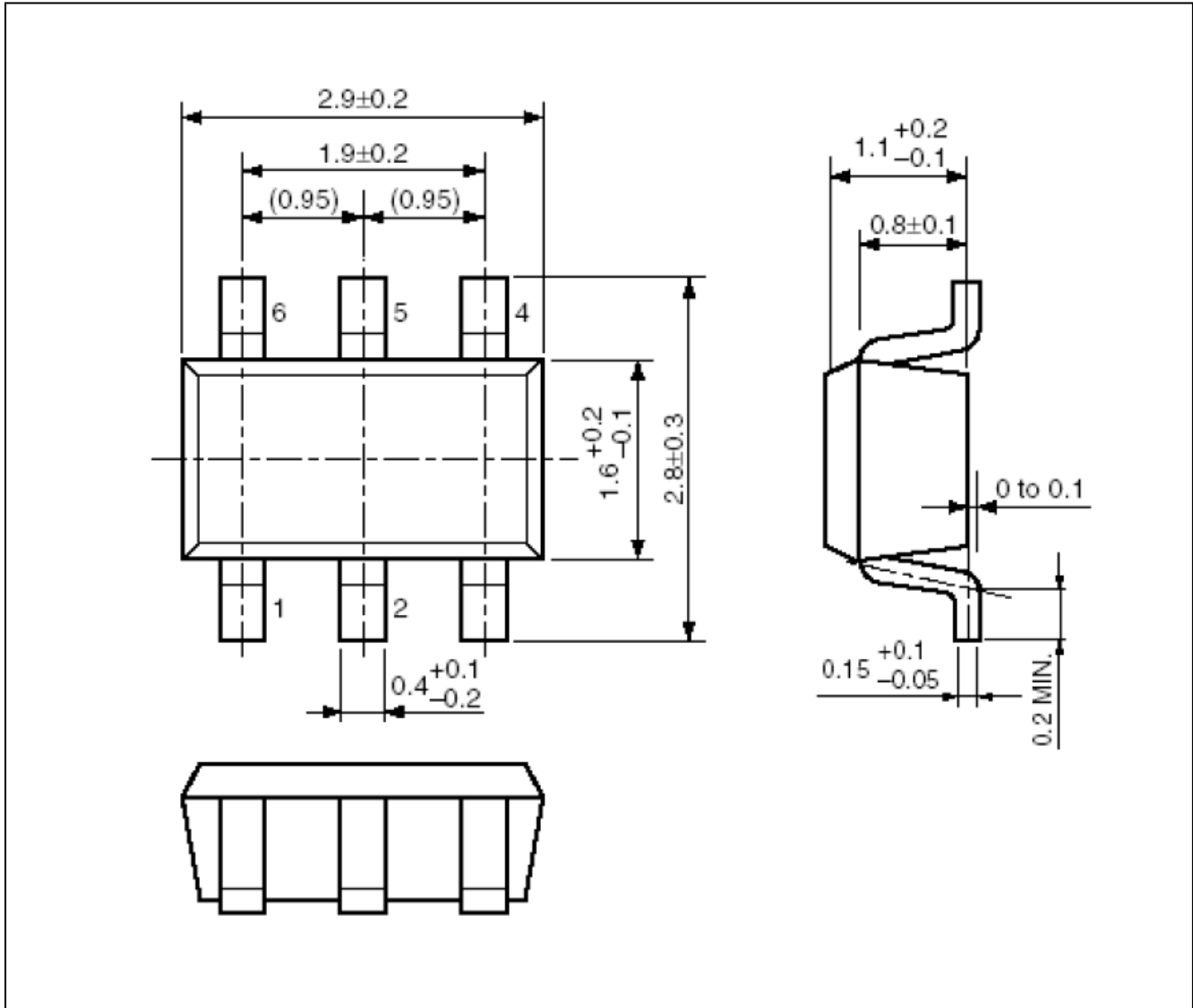


# ACE714C

Max. 3MHz, Variable Frequency Step-up DC/DC Converter

## Packing Information

### SOT-23-6







# ACE714C

Max. 3MHz, Variable Frequency Step-up DC/DC Converter

## Notes

ACE does not assume any responsibility for use as critical components in life support devices or systems without the express written approval of the president and general counsel of ACE Electronics Co., LTD. As sued herein:

1. Life support devices or systems are devices or systems which, (a) are intended for surgical implant into the body, or (b) support or sustain life, and whose failure to perform when properly used in accordance with instructions for use provided in the labeling, can be reasonably expected to result in a significant injury to the user.
2. A critical component is any component of a life support device or system whose failure to perform can be reasonably expected to cause the failure of the life support device or system, or to affect its safety or effectiveness.

ACE Technology Co., LTD.  
<http://www.ace-ele.com/>