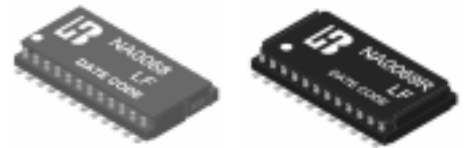


- Half port and single port designs for maximum layout flexibility.
- Compliant with IEEE 802.3ab standard for 1000 BASE-T.
- Comply with ROHS & Halogen Free requirements.
- Operating temperature range: 0 to +70 .
- Storage temperature range: -25 to +85 .



Electrical Specifications @ 25

Part Number	Turn ratio (±3%)		Insertion loss (dB Max)	Return loss (dB Min)				Cross talk (dB Min)
	TX	RX		0.3-100 MHz	0.3-30MHz	40MHz	50MHz	
NA0068 LF	1CT:1CT	1CT:1CT	-1.1	-18	-15.5	-13.5	-10	-38
NA0069 LF	1CT:1CT	1CT:1CT	1-100MHz	1-30MHz	40-50MHz	60-80MHz	100MHz	1-100MHz
			-1.0	-18	-16	-12	-10	-38
NA0069R LF	1CT:1CT	1CT:1CT	-1.0	-18	-16	-12	-10	-38

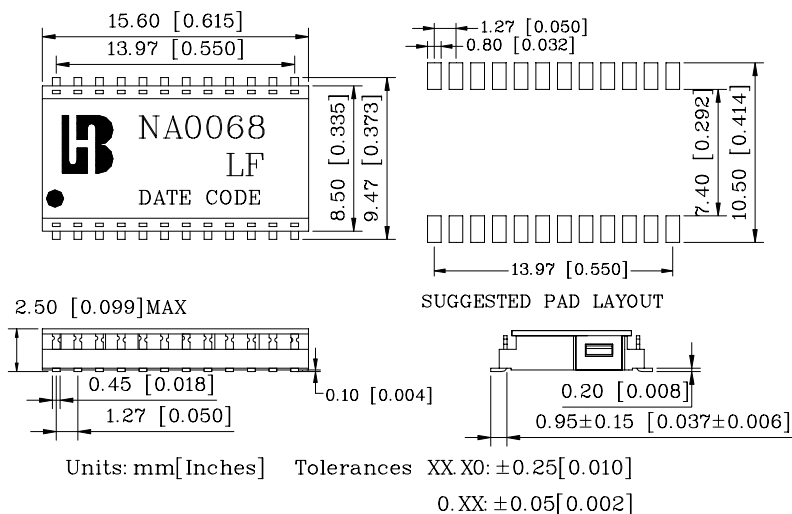
Continue

Part Number	OCL (uH Min) @100KHz/0.1V with 8mA DC Bias	MECH	HI-POT (Vrms)	Cw/w (pF Max)	L.L (uH Max)	Mech	DCMR (dB Min)	
							0.3-60MHz	60-100MHz
NA0068 LF	350	NA-A	1500	25	0.4	NA-A	-33	-26
NA0069 LF	350	NA-B	1500	25	0.4	NA-A	1-60MHz	60-100MHz
							-35	-33
NA0069R LF	350	NA-B	1500	25	0.4	NA-A	-35	-33

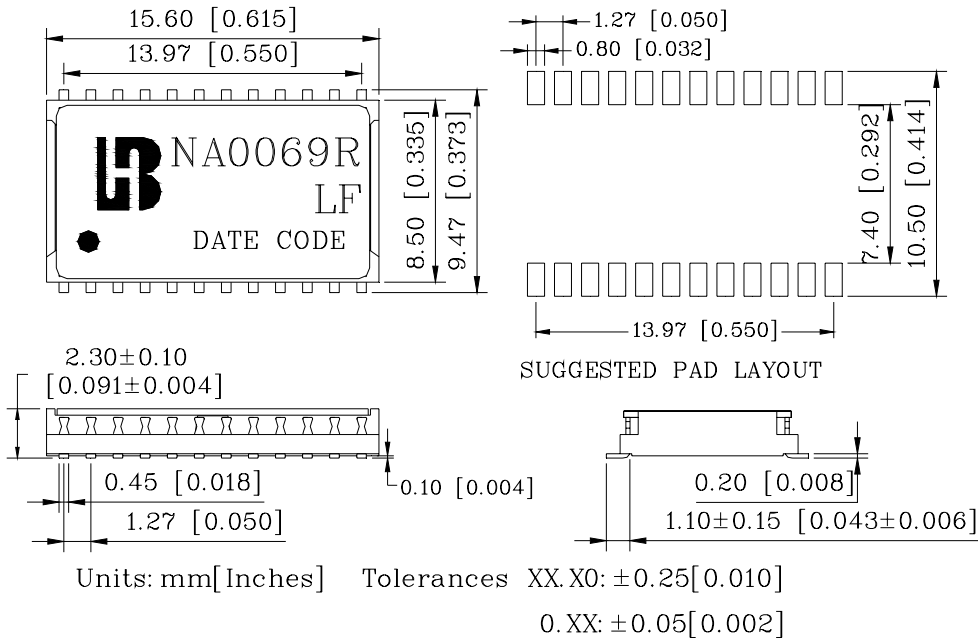
For customized parts or more detailed information, please log on www.bothhandusa.com or write to sales@bothhandusa.com

Mechanicals

NA-A



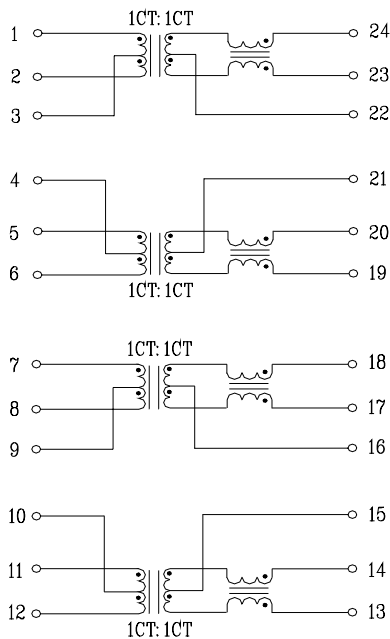
NA-B



Specification	Packing Manner	Q'ty per Tube/Reel	Q'ty/ Inner box	Q'ty/ Carton
NA-A	REEL	1200	1200	6000
NA-B	REEL	1200	1200	6000

Schematics

NA0068 LF /NA0069 LF



NA0069R LF

