

## Low-Voltage, Dual Supply, SPST, High Performance Analog Switches

The Intersil ISL43112 and ISL43113 are precision, high performance analog switches designed to operate from  $\pm 1.5\text{V}$  to  $\pm 6\text{V}$  supplies. These devices are fully specified for 10% tolerance  $\pm 5\text{V}$  and  $\pm 3.3\text{V}$  supplies, and feature supply and leakage currents much lower than those of other single SPST switches. Turn-on and turn-off times are also improved.

Targeted applications include battery powered equipment that benefit from the devices' low power consumption ( $250\mu\text{W}$ ), sub-nanoamp leakage currents, and fast switching speeds ( $t_{\text{ON}} = 40\text{ns}$ ,  $t_{\text{OFF}} = 25\text{ns}$ ). The small SOT-23 packages, and timing that delivers break-before-make operation, make this family ideal for custom multiplexer applications. Additionally, excellent RON flatness maintains signal fidelity over the whole input range, while micro packaging alleviates board space limitations. All these benefits combine to make Intersil's newest line of low-voltage switches ideal solutions for "Next Generation" designs.

The ISL4311X are single-pole/single-throw (SPST) switches, with the ISL43112 being normally open (NO), and the ISL43113 being normally closed (NC).

Table 1 summarizes the performance of this family. For single supply versions, see the ISL43110/11 datasheet..

TABLE 1. FEATURES AT A GLANCE		
	ISL43112	ISL43113
Number of Switches	1	1
Configuration	NO	NC
$\pm 4.5\text{V}$ $R_{\text{ON}}$	$15\Omega$	$15\Omega$
$\pm 4.5\text{V}$ $t_{\text{ON}} / t_{\text{OFF}}$	42ns / 25ns	42ns / 25ns
$\pm 3\text{V}$ $R_{\text{ON}}$	$20\Omega$	$20\Omega$
$\pm 3\text{V}$ $t_{\text{ON}} / t_{\text{OFF}}$	58ns / 37ns	58ns / 37ns
Packages	8 Ld SOIC, 5 Ld SOT-23	

## Features

- Fully Specified at  $V_{\text{S}} = \pm 5\text{V}$  and  $\pm 3.3\text{V}$  for 10% Tolerances
- Available in SOT-23 Packaging
- Dual Supply Operation .....  $\pm 1.5\text{V}$  to  $\pm 6\text{V}$
- ON Resistance .....  $15\Omega$
- $R_{\text{ON}}$  Flatness .....  $5\Omega$
- Charge Injection ..... 7pC
- Low Leakage Current (Max at  $85^\circ\text{C}$ ) . . 5nA (Off Leakage)  
..... 20nA (On Leakage)
- Fast Switching Action
  - $t_{\text{ON}}$  ..... 40ns
  - $t_{\text{OFF}}$  ..... 25ns
- Break-Before-Make Operation at  $V_{\text{S}} = \pm 5\text{V}$
- Minimum 2000V ESD Protection per Method 3015.7
- CMOS Logic Compatible
- Pb-free Available

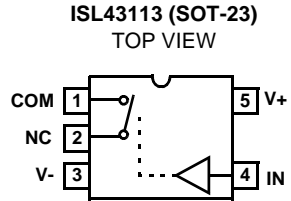
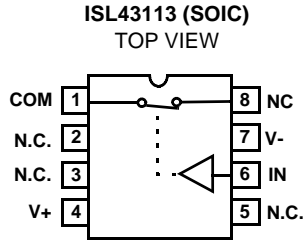
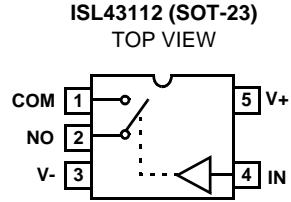
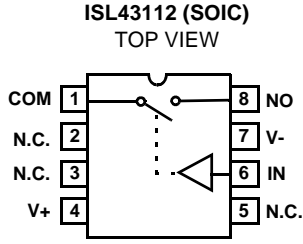
## Applications

- Battery Powered, Handheld, and Portable Equipment
  - Cellular/Mobile Phones, Pagers
  - Laptops, Notebooks, Palmtops, PDA's
- Communications Systems
  - Radios
  - PBX, PABX
- Test Equipment
  - Logic and Spectrum Analyzers
  - Portable Meters, DVM, DMM
- Medical Equipment
  - Ultrasound, MRI, CAT SCAN
  - Electrocardiograph, Blood Analyzer
- Audio and Video Switching
- General Purpose Circuits
  - Low Voltage DACs and ADCs
  - Sample and Hold Circuits
  - Digital Filters
  - Operational Amplifier Gain Switching Networks
  - High Frequency Analog Switching
  - High Speed Multiplexing
  - Integrator Reset Circuits

## Related Literature

- Technical Brief TB363 "Guidelines for Handling and Processing Moisture Sensitive Surface Mount Devices (SMDs)"

**Pinouts** (Note 1)



NOTE:

1. Switches Shown for Logic "0" Input.

**Truth Table**

LOGIC	ISL43112	ISL43113
0	OFF	ON
1	ON	OFF

NOTE: Logic "0"  $\leq 1.5V$ ; Logic "1"  $\geq 3.5V$  at  $V_S = \pm 5V$

**Pin Descriptions**

PIN	FUNCTION
V+	System Positive Power Supply Input (+1.5V to +6V)
V-	System Negative Power Supply Input (-1.5V to -6V)
IN	CMOS Compatible Digital Control Input
COM	Analog Switch Common Pin
NO	Analog Switch Normally Open Pin
NC	Analog Switch Normally Closed Pin
N.C.	No Internal Connection

**Ordering Information**

PART NUMBER	TEMP. RANGE (°C)	PACKAGE	PKG. DWG. #
ISL43112IB	-40 to 85	8 Ld SOIC	M8.15
ISL43112IB-T	-40 to 85	Tape and Reel	M8.15
ISL43112IBZ (Note)	-40 to 85	8 Ld SOIC (Pb-free)	M8.15
ISL43112IBZ-T (Note)	-40 to 85	Tape and Reel (Pb-free)	M8.15
ISL43112IH-T (112I)	-40 to 85	5 Ld SOT-23, Tape and Reel	P5.064
ISL43112IHZ-T (112I) (Note)	-40 to 85	5 Ld SOT-23, Tape and Reel (Pb-free)	P5.064
ISL43113IB	-40 to 85	8 Ld SOIC	M8.15
ISL43113IB-T	-40 to 85	Tape and Reel	M8.15
ISL43113IBZ (Note)	-40 to 85	8 Ld SOIC (Pb-free)	M8.15
ISL43113IBZ-T (Note)	-40 to 85	Tape and Reel (Pb-free)	M8.15
ISL43113IH-T (113I)	-40 to 85	5 Ld SOT-23, Tape and Reel	P5.064
ISL43113IHZ-T (113I) (Note)	-40 to 85	5 Ld SOT-23, Tape and Reel (Pb-free)	P5.064

**Absolute Maximum Ratings**

V+ to V- .....	-0.3 to 15V
Input Voltages	
IN (Note 2) .....	((V-) - 0.3V) to ((V+) + 0.3V)
NO, NC (Note 2) .....	((V-) - 0.3V) to ((V+) + 0.3V)
Output Voltages	
COM (Note 2) .....	((V-) - 0.3V) to ((V+) + 0.3V)
Continuous Current (Any Terminal) .....	20mA
Peak Current NO, NC, or COM	
(Pulsed 1ms, 10% Duty Cycle, Max) .....	30mA
ESD Rating (Per MIL-STD-883 Method 3015) .....	>2kV

**Thermal Information**

Thermal Resistance (Typical, Note 3)	$\theta_{JA}$ (°C/W)
5 Ld SOT-23 Package .....	225
8 Ld SOIC Package .....	170
Maximum Junction Temperature (Plastic Package) .....	150°C
Moisture Sensitivity (See Technical Brief TB363)	
All Packages .....	Level 1
Maximum Storage Temperature Range .....	-65°C to 150°C
Maximum Lead Temperature (Soldering 10s) .....	300°C
(Lead Tips Only)	

**Operating Conditions**

Temperature Range	
ISL4311XIX .....	-40°C to 85°C

CAUTION: Stresses above those listed in "Absolute Maximum Ratings" may cause permanent damage to the device. This is a stress only rating and operation of the device at these or any other conditions above those indicated in the operational sections of this specification is not implied.

NOTES:

2. Signals on NO, NC, COM, or IN exceeding V+ or V- are clamped by internal diodes. Limit forward diode current to maximum current ratings.
3.  $\theta_{JA}$  is measured with the component mounted on a low effective thermal conductivity test board in free air. See Tech Brief TB379 for details.

**Electrical Specifications - ±5V Supply** Test Conditions:  $V_{SUPPLY} = \pm 4.5V$  to  $\pm 5.5V$ ,  $V_{INH} = 3.5V$ ,  $V_{INL} = 1.5V$  (Note 4), Unless Otherwise Specified

PARAMETER	TEST CONDITIONS	TEMP (°C)	(NOTE 5) MIN	TYP	(NOTE 5) MAX	UNITS
<b>ANALOG SWITCH CHARACTERISTICS</b>						
Analog Signal Range, $V_{ANALOG}$		Full	V-	-	V+	V
ON Resistance, $R_{ON}$	$V_S = \pm 4.5V$ , $I_{COM} = 1.0mA$ , $V_{COM} = 3V$ , See Figure 4	25	-	15	20	$\Omega$
$R_{ON}$ Flatness, $R_{FLAT(ON)}$	$V_S = \pm 4.5V$ , $I_{COM} = 1.0mA$ , $V_{COM} = -3V, 0V, 3V$	Full	-	-	25	$\Omega$
		25	-	5	6	$\Omega$
NO or NC OFF Leakage Current, $I_{NO(OFF)}$ or $I_{NC(OFF)}$	$V_S = \pm 5.5V$ , $V_{COM} = \pm 4.5V$ , $V_{NO}$ or $V_{NC} = \mp 4.5V$ , Note 6	Full	-1	0.01	1	nA
		25	-5	-	5	nA
COM OFF Leakage Current, $I_{COM(OFF)}$	$V_S = \pm 5.5V$ , $V_{COM} = \pm 4.5V$ , $V_{NO}$ or $V_{NC} = \mp 4.5V$ , Note 6	Full	-1	0.01	1	nA
		25	-5	-	5	nA
COM ON Leakage Current, $I_{COM(ON)}$	$V_S = \pm 5.5V$ , $V_{COM} = V_{NO}$ or $V_{NC} = \pm 4.5V$ , Note 6	Full	-2	0.01	2	nA
		25	-20	-	20	nA
<b>DIGITAL INPUT CHARACTERISTICS</b>						
Input Voltage High, $V_{INH}$		Full	(V+) - 1.5	-	V+	V
Input Voltage Low, $V_{INL}$		Full	V-	-	(V+) - 3.5	V
Input Current, $I_{INH}$ , $I_{INL}$	$V_S = \pm 5.5V$ , $V_{IN} = 0V$ or $V+$	Full	-0.5	-	0.5	$\mu A$
<b>DYNAMIC CHARACTERISTICS</b>						
Turn-ON Time, $t_{ON}$	$V_{NO}$ or $V_{NC} = 3V$ , $R_L = 300\Omega$ , $C_L = 35pF$ , $V_{IN} = 0$ to $V+$ , See Figure 1	25	-	42	70	ns
		Full	-	46	85	ns
Turn-OFF Time, $t_{OFF}$	$V_{NO}$ or $V_{NC} = 3V$ , $R_L = 300\Omega$ , $C_L = 35pF$ , $V_{IN} = 0$ to $V+$ , See Figure 1	25	-	25	45	ns
		Full	-	27	50	ns
Charge Injection, Q	$C_L = 1.0nF$ , $V_G = 0V$ , $R_G = 0\Omega$ , See Figure 2	25	-	7	20	pC
OFF Isolation	$R_L = 50\Omega$ , $C_L = 15pF$ , $f = 100kHz$ , See Figure 3	25	-	>90	-	dB
Power Supply Rejection Ratio	$R_L = 50\Omega$ , $C_L = 5pF$ , $f = 1MHz$	25	-	58	-	dB
NO or NC OFF Capacitance, $C_{OFF}$	$f = 1MHz$ , $V_{NO}$ or $V_{NC} = V_{COM} = 0V$ , See Figure 5	25	-	13	-	pF
COM OFF Capacitance, $C_{COM(OFF)}$	$f = 1MHz$ , $V_{NO}$ or $V_{NC} = V_{COM} = 0V$ , See Figure 5	25	-	13	-	pF
COM ON Capacitance, $C_{COM(ON)}$	$f = 1MHz$ , $V_{NO}$ or $V_{NC} = V_{COM} = 0V$ , See Figure 5	25	-	30	-	pF

# ISL43112, ISL43113

## Electrical Specifications - $\pm 5V$ Supply Test Conditions: $V_{SUPPLY} = \pm 4.5V$ to $\pm 5.5V$ , $V_{INH} = 3.5V$ , $V_{INL} = 1.5V$ (Note 4), Unless Otherwise Specified (Continued)

PARAMETER	TEST CONDITIONS	TEMP (°C)	(NOTE 5) MIN	TYP	(NOTE 5) MAX	UNITS
<b>POWER SUPPLY CHARACTERISTICS</b>						
Power Supply Range		Full	$\pm 1.5$	-	$\pm 6$	V
Positive Supply Current, $I_+$	$V_S = \pm 5.5V$ , $V_{IN} = 0V$ or $V_+$ , Switch On or Off	25	-	15	25	$\mu A$
		Full	-	22	50	$\mu A$
Negative Supply Current, $I_-$	$V_S = \pm 5.5V$ , $V_{IN} = 0V$ or $V_+$ , Switch On or Off	25	-25	-15	-	$\mu A$
		Full	-50	-22	-	$\mu A$

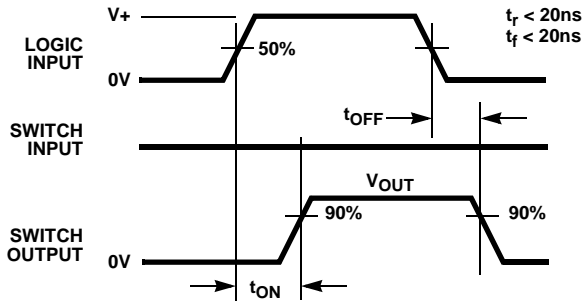
**NOTES:**

4.  $V_{IN}$  = Input voltage to perform proper function.
5. The algebraic convention, whereby the most negative value is a minimum and the most positive a maximum, is used in this data sheet.
6. Leakage parameter is 100% tested at high temp, and guaranteed by correlation at 25°C.

## Electrical Specifications - $\pm 3.3V$ Supply Test Conditions: $V_{SUPPLY} = \pm 3.0V$ to $\pm 3.6V$ , $V_{INH} = V_+$ , $V_{INL} = 0V$ (Note 4), Unless Otherwise Specified

PARAMETER	TEST CONDITIONS	TEMP (°C)	(NOTE 5) MIN	TYP	(NOTE 5) MAX	UNITS
<b>ANALOG SWITCH CHARACTERISTICS</b>						
Analog Signal Range, $V_{ANALOG}$		Full	V-	-	V+	V
ON Resistance, $R_{ON}$	$V_S = \pm 3V$ , $I_{COM} = 1.0mA$ , $V_{COM} = 2V$	25	-	20	30	$\Omega$
		Full	-	25	40	$\Omega$
$R_{ON}$ Flatness, $R_{FLAT(ON)}$	$V_S = \pm 3V$ , $I_{COM} = 1.0mA$ , $V_{COM} = -1.5V, 0V, 1.5V$	25	-	4	8	$\Omega$
		Full	-	5	10	$\Omega$
NO or NC OFF Leakage Current, $I_{NO(OFF)}$ or $I_{NC(OFF)}$	$V_S = \pm 3.3V$ , $V_{COM} = \pm 2V$ , $V_{NO}$ or $V_{NC} = \mp 2V$ , Note 6	25	-1	-	1	nA
		Full	-5	-	5	nA
COM OFF Leakage Current, $I_{COM(OFF)}$	$V_S = \pm 3.3V$ , $V_{COM} = \pm 2V$ , $V_{NO}$ or $V_{NC} = \mp 2V$ , Note 6	25	-1	-	1	nA
		Full	-5	-	5	nA
COM ON Leakage Current, $I_{COM(ON)}$	$V_S = \pm 3.3V$ , $V_{COM} = V_{NO}$ or $V_{NC} = \pm 2V$ , Note 6	25	-2	-	2	nA
		Full	-20	-	20	nA
<b>DIGITAL INPUT CHARACTERISTICS</b>						
Input Voltage High, $V_{INH}$		Full	2.0	1.6	-	V
Input Voltage Low, $V_{INL}$		Full	-	0.9	0.6	V
Input Current, $I_{INH}$ , $I_{INL}$	$V_S = \pm 3.6V$ , $V_{IN} = V_-$ or $V_+$	Full	-0.5	-	0.5	$\mu A$
<b>DYNAMIC CHARACTERISTICS</b>						
Turn-ON Time, $t_{ON}$	$V_{NO}$ or $V_{NC} = 2V$ , $R_L = 300\Omega$ , $C_L = 35pF$ , $V_{IN} = 0.4V$ to 2.4V	25	-	58	100	ns
		Full	-	62	110	ns
Turn-OFF Time, $t_{OFF}$	$V_{NO}$ or $V_{NC} = 2V$ , $R_L = 300\Omega$ , $C_L = 35pF$ , $V_{IN} = 0.4V$ to 2.4V	25	-	37	65	ns
		Full	-	40	75	ns
Charge Injection, Q	$C_L = 1.0nF$ , $V_G = 0V$ , $R_G = 0\Omega$	25	-	5	12	pC
OFF Isolation	$R_L = 50\Omega$ , $C_L = 15pF$ , $f = 100kHz$	25	-	>90	-	dB
Power Supply Rejection Ratio	$R_L = 50\Omega$ , $C_L = 5pF$ , $f = 1MHz$	25	-	55	-	dB
NO or NC OFF Capacitance, $C_{OFF}$	$f = 1MHz$ , $V_{NO}$ or $V_{NC} = V_{COM} = 0V$	25	-	13	-	pF
COM OFF Capacitance, $C_{COM(OFF)}$	$f = 1MHz$ , $V_{NO}$ or $V_{NC} = V_{COM} = 0V$	25	-	13	-	pF
COM ON Capacitance, $C_{COM(ON)}$	$f = 1MHz$ , $V_{NO}$ or $V_{NC} = V_{COM} = 0V$	25	-	30	-	pF
<b>POWER SUPPLY CHARACTERISTICS</b>						
Positive Supply Current, $I_+$	$V_S = \pm 3.6V$ , $V_{IN} = V_-$ or $V_+$ , Switch On or Off	25	-	10	25	$\mu A$
		Full	-	15	50	$\mu A$
Negative Supply Current, $I_-$	$V_S = \pm 3.6V$ , $V_{IN} = V_-$ or $V_+$ , Switch On or Off	25	-25	-10	-	$\mu A$
		Full	-50	-15	-	$\mu A$

Test Circuits and Waveforms



Logic input waveform is inverted for switches that have the opposite logic sense.

FIGURE 1A. MEASUREMENT POINTS

FIGURE 1. SWITCHING TIMES

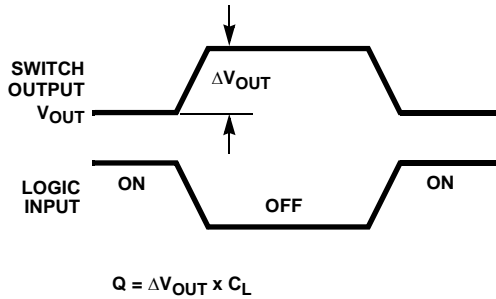
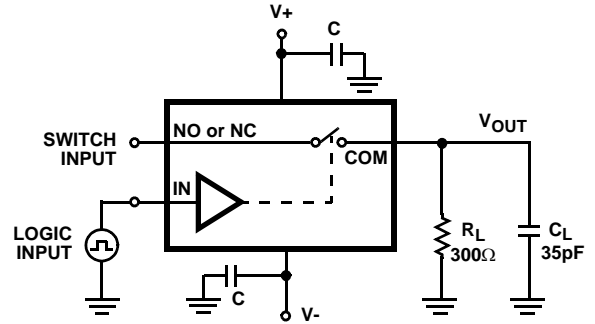


FIGURE 2A. MEASUREMENT POINTS

FIGURE 2. CHARGE INJECTION



$C_L$  includes fixture and stray capacitance.

$$V_{OUT} = V_{(NO \text{ or } NC)} \frac{R_L}{R_L + R_{(ON)}}$$

FIGURE 1B. TEST CIRCUIT

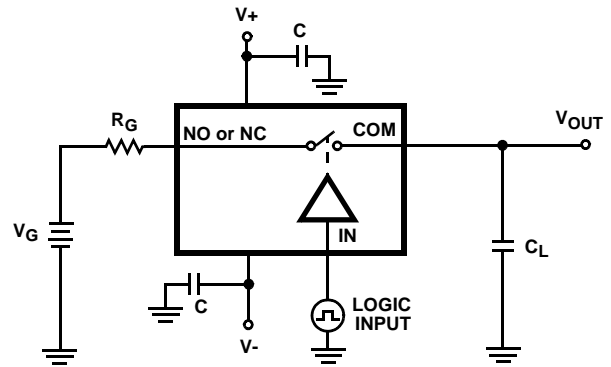


FIGURE 2B. TEST CIRCUIT

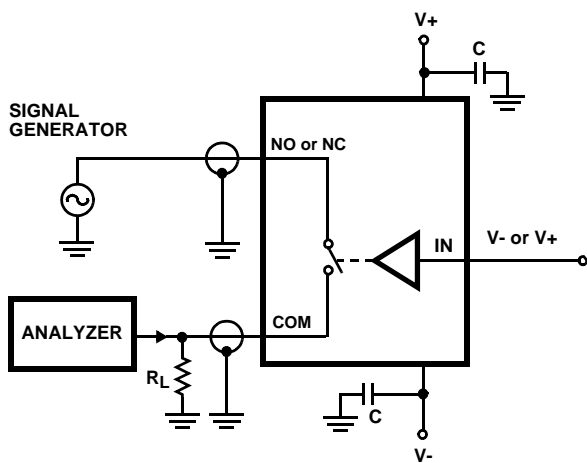


FIGURE 3. OFF ISOLATION TEST CIRCUIT

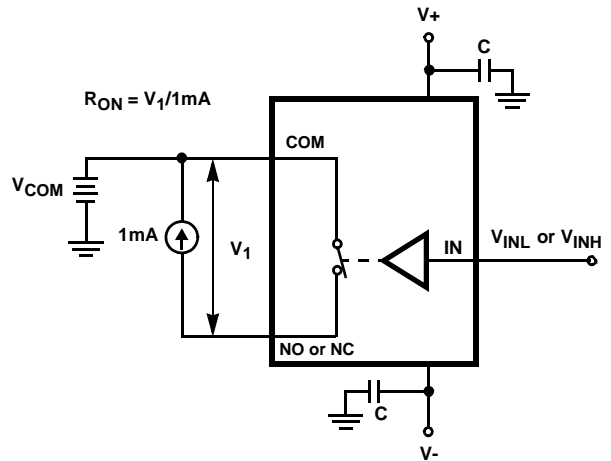


FIGURE 4.  $R_{ON}$  TEST CIRCUIT

Test Circuits and Waveforms (Continued)

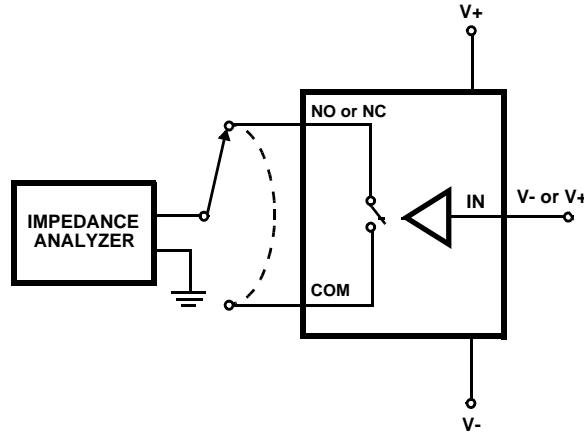


FIGURE 5. CAPACITANCE TEST CIRCUIT

**Detailed Description**

The ISL43112 and ISL43113 analog switches offer precise switching capability from  $\pm 1.5\text{V}$  to  $\pm 6\text{V}$  supplies with low on-resistance ( $15\Omega$ ) and high speed operation ( $t_{ON} = 40\text{ns}$ ,  $t_{OFF} = 25\text{ns}$ ). The devices are especially well suited to portable battery powered equipment thanks to the low operating supply voltage ( $\pm 1.5\text{V}$ ), low power consumption ( $250\mu\text{W}$ ), low leakage currents ( $2\text{nA}$  max), and the tiny SOT-23 packaging. High frequency applications also benefit from the wide bandwidth, and the very high off isolation.

**Supply Sequencing And Overvoltage Protection**

As with any CMOS device, proper power supply sequencing is required to protect the device from excessive input currents which might permanently damage the IC. All I/O pins contain ESD protection diodes from the pin to  $V+$  and to  $V-$  (see Figure 6). To prevent forward biasing these diodes,  $V+$  and  $V-$  must be applied before any input signals, and input signal voltages must remain between  $V+$  and  $V-$ . If these conditions cannot be guaranteed, then one of the following two protection methods should be employed.

Logic inputs can easily be protected by adding a  $1\text{k}\Omega$  resistor in series with the input (see Figure 6).

The resistor limits the input current below the threshold that produces permanent damage, and the sub-microamp input current produces an insignificant voltage drop during normal operation.

Adding a series resistor to the switch input defeats the purpose of using a low  $R_{ON}$  switch, so two small signal diodes can be added in series with the supply pins to provide overvoltage protection for all pins (see Figure 6). These additional diodes limit the analog signal from  $1\text{V}$  below  $V+$  to  $1\text{V}$  above  $V-$ . The low leakage current performance is unaffected by this approach, but the switch resistance may increase, especially at low supply voltages.

**Power-Supply Considerations**

The ISL4311X construction is typical of most CMOS analog switches, except that there are only two supply pins:  $V+$  and  $V-$ . The power supplies need not be symmetrical for useful operation. As long as the total supply voltage ( $V+$  to  $V-$ , including supply tolerances, overshoot, and noise spikes) is less than the  $15\text{V}$  maximum supply rating, and the digital input switching point remains reasonable (see “Logic-Level Thresholds” section), the ISL43112/13 function well. The  $15\text{V}$  maximum supply rating provides the designer of  $12\text{V}$  systems much greater flexibility than switches with a  $13\text{V}$  maximum supply voltage.

The minimum recommended supply voltage is  $\pm 1.5\text{V}$ . It is important to note that the input signal range, switching times, and on-resistance degrade at lower supply voltages, and the digital input  $V_{IL}$  becomes negative at  $V_S \leq \pm 2\text{V}$ . Refer to the “Typical Performance” curves for details.

$V+$  and  $V-$  power the internal CMOS switches and set their analog voltage limits. These supplies also power the internal logic and level shifters. The level shifters convert the input logic levels to switched  $V+$  and  $V-$  signals to drive the analog switch gate terminals.

This family of switches is not recommended for single supply applications. For single supply, similar performance, pin

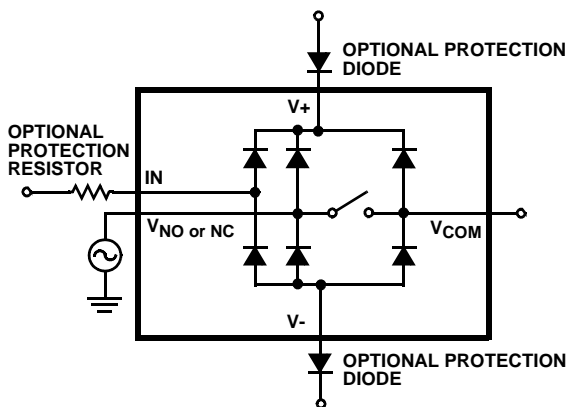


FIGURE 6. OVERVOLTAGE PROTECTION

compatible, TTL compatible versions of these switches, see the ISL43110/11 data sheet.

### **Logic-Level Thresholds**

Due to the lack of a GND pin, the switching point of the digital input is referenced predominantly to V+. The digital input is CMOS compatible at  $\pm 5V$  supplies, and is TTL compatible for  $\pm 3.3V$  supplies. For other supply combinations refer to Figures 13 and 14.

The switching point has a very low temperature sensitivity, and changes by only 100mV from 85°C to -40°C, regardless of supply voltage.

### **High-Frequency Performance**

In 50 $\Omega$  systems, signal response is reasonably flat to 30MHz, with a -3dB bandwidth of nearly 400MHz (see Figure 15). Figure 15 also illustrates that the frequency response is very consistent over a wide V+ range, and for varying analog signal levels.

An OFF switch acts like a capacitor and passes higher frequencies with less attenuation, resulting in signal feedthrough from a switch's input to its output. OFF Isolation is the resistance to this feedthrough. Figure 16 details the high OFF Isolation provided by this family. At 10MHz, OFF Isolation is about 50dB in 50 $\Omega$  systems, decreasing approximately 20dB per decade as frequency increases. Higher load impedances decrease OFF Isolation due to the voltage divider action of the switch OFF Impedance and the load impedance.

### **Leakage Considerations**

Reverse ESD protection diodes are internally connected between each analog-signal pin and both V+ and V-. One of these diodes conducts if any analog signal exceeds V+ or V-.

Virtually all the analog leakage current comes from the ESD diodes to V+ or V-. Although the ESD diodes on a given signal pin are identical and therefore fairly well balanced, they are reverse biased differently. Each is biased by either V+ or V- and the analog signal. This means their leakages will vary as the signal varies. The difference in the two diode leakages to the V+ and V- pins constitutes the analog-signal-path leakage current. All analog leakage current flows between each pin and one of the supply terminals, not to the other switch terminal. This is why both sides of a given switch can show leakage currents of the same or opposite polarity. There is no connection between the analog-signal paths and V+ or V-.

**Typical Performance Curves**  $T_A = 25^\circ\text{C}$ ,  $V_{IH} = V+$ ,  $V_{IL} = 0\text{V}$ , Unless Otherwise Specified

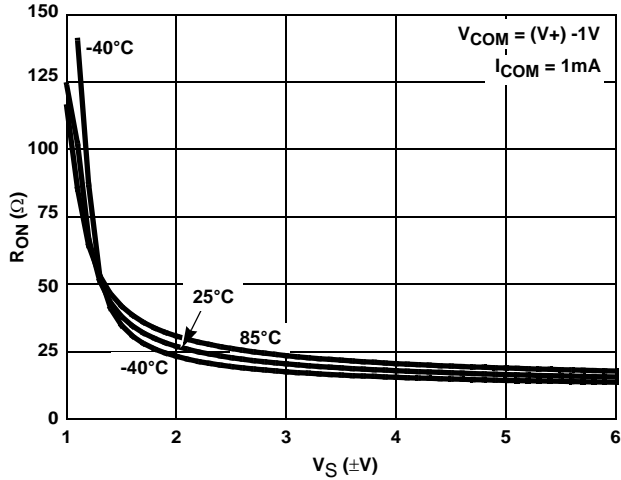


FIGURE 7. ON RESISTANCE vs SUPPLY VOLTAGE

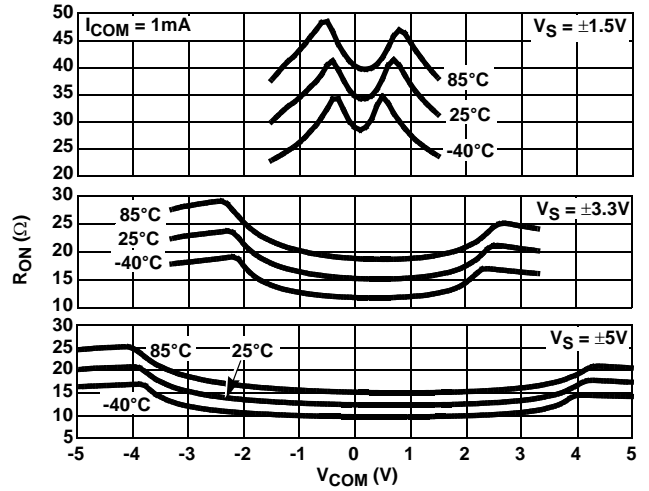


FIGURE 8. ON RESISTANCE vs SWITCH VOLTAGE

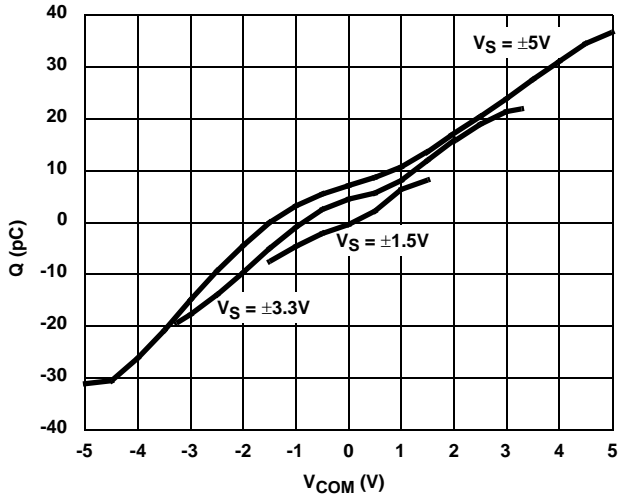


FIGURE 9. CHARGE INJECTION vs SWITCH VOLTAGE

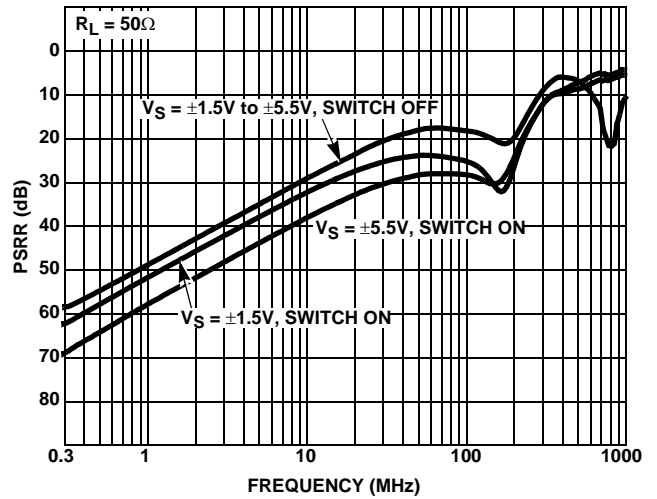


FIGURE 10. PSRR vs FREQUENCY

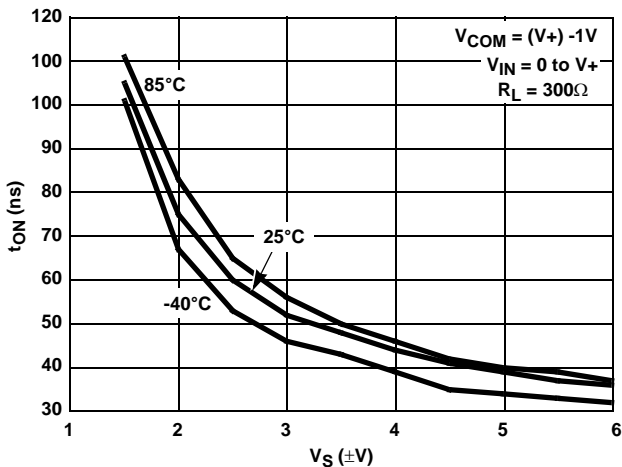


FIGURE 11. TURN - ON TIME vs SUPPLY VOLTAGE

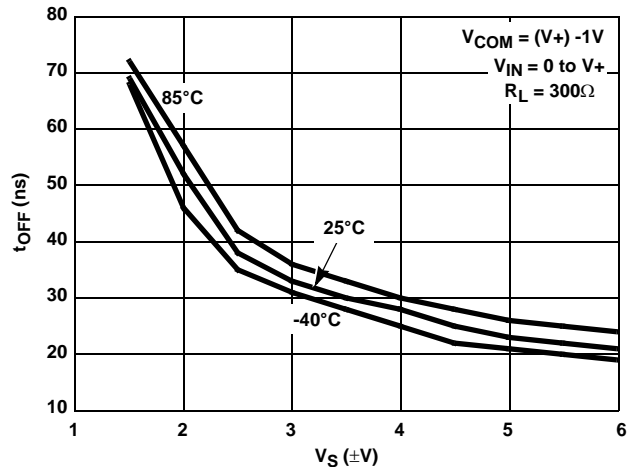


FIGURE 12. TURN - OFF TIME vs SUPPLY VOLTAGE



**Typical Performance Curves**  $T_A = 25^\circ\text{C}$ ,  $V_{IH} = V_+$ ,  $V_{IL} = 0\text{V}$ , Unless Otherwise Specified (Continued)

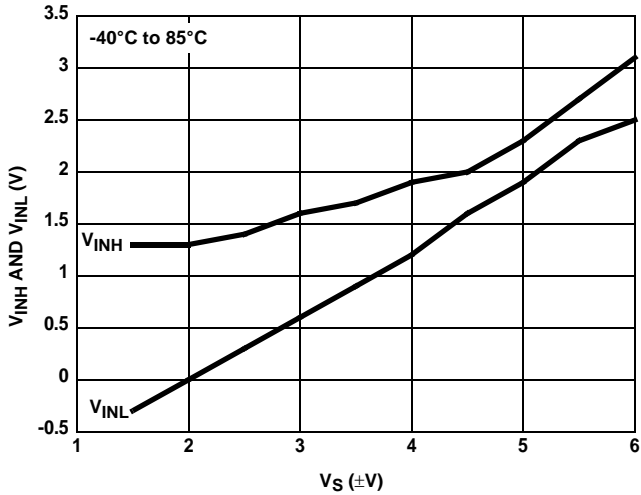


FIGURE 13. DIGITAL SWITCHING POINT vs SUPPLY VOLTAGE

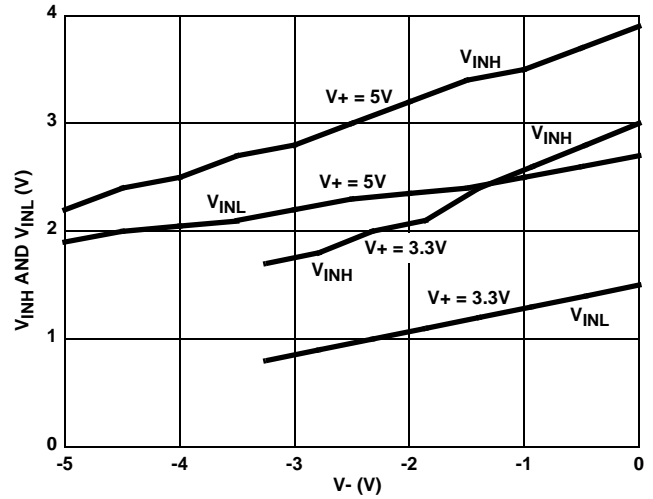


FIGURE 14. DIGITAL SWITCHING POINT vs NEGATIVE SUPPLY VOLTAGE

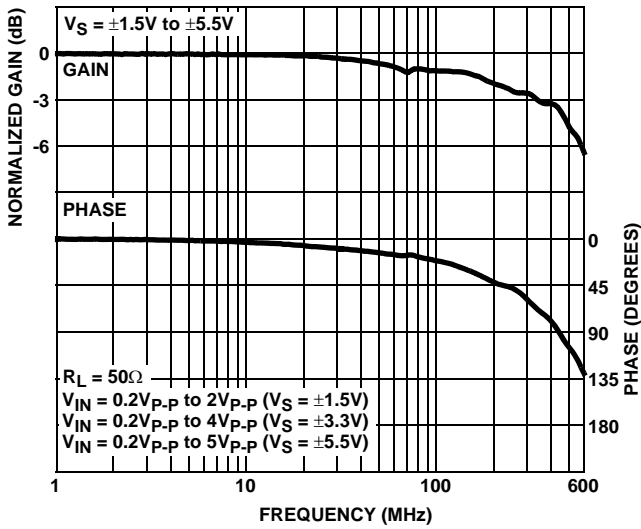


FIGURE 15. FREQUENCY RESPONSE

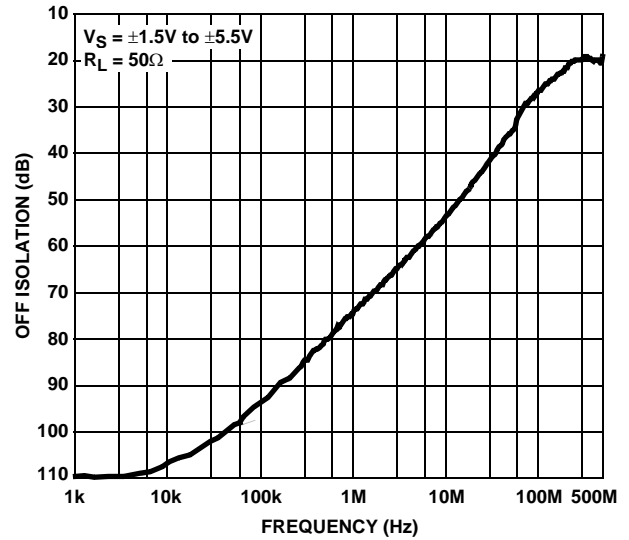


FIGURE 16. OFF ISOLATION

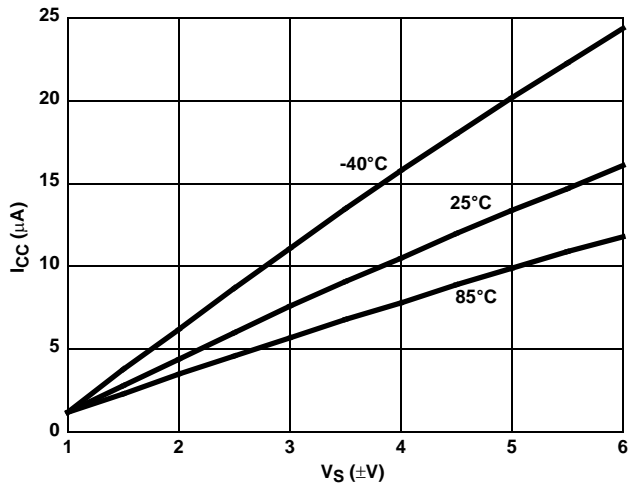


FIGURE 17. SUPPLY CURRENT vs SUPPLY VOLTAGE

**Die Characteristics**

SUBSTRATE POTENTIAL (POWERED UP):

V-

TRANSISTOR COUNT:

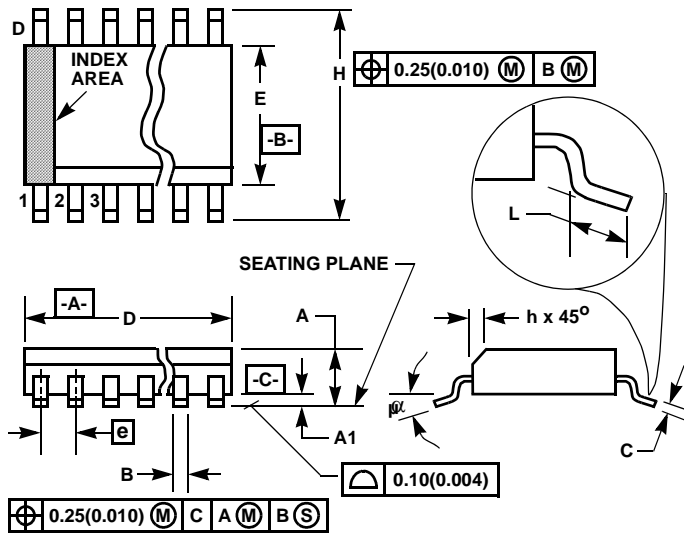
ISL43112: 55

ISL43113: 55

PROCESS:

Si Gate CMOS

**Small Outline Plastic Packages (SOIC)**



**M8.15 (JEDEC MS-012-AA ISSUE C)**  
**8 LEAD NARROW BODY SMALL OUTLINE PLASTIC PACKAGE**

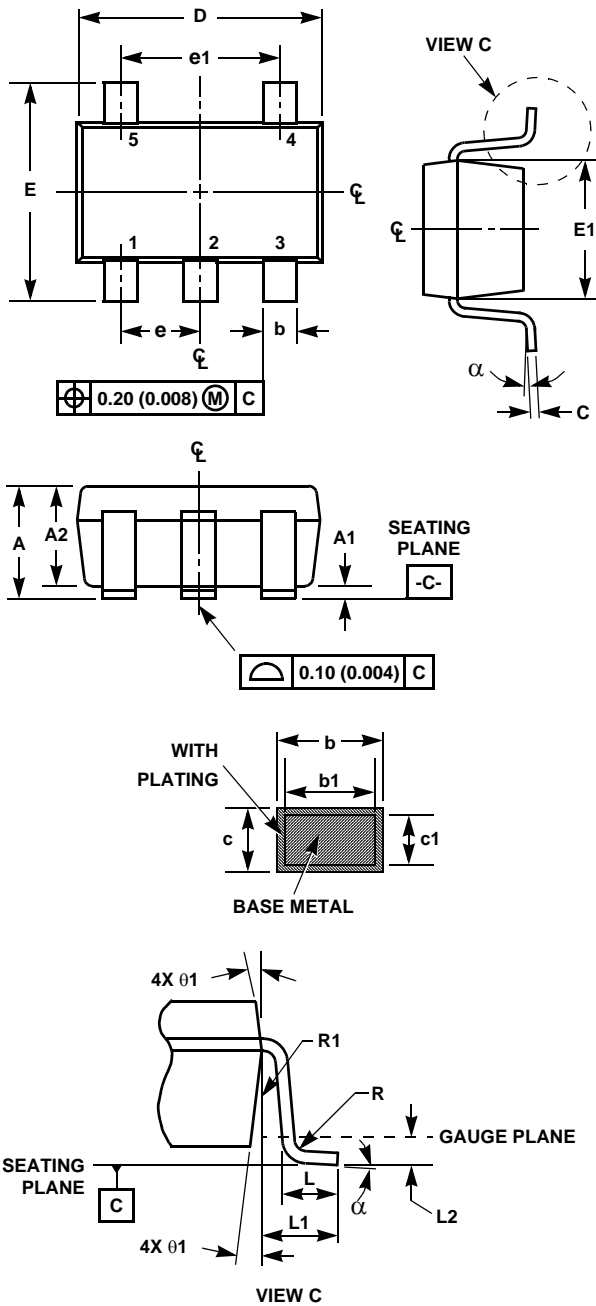
SYMBOL	INCHES		MILLIMETERS		NOTES
	MIN	MAX	MIN	MAX	
A	0.0532	0.0688	1.35	1.75	-
A1	0.0040	0.0098	0.10	0.25	-
B	0.013	0.020	0.33	0.51	9
C	0.0075	0.0098	0.19	0.25	-
D	0.1890	0.1968	4.80	5.00	3
E	0.1497	0.1574	3.80	4.00	4
e	0.050 BSC		1.27 BSC		-
H	0.2284	0.2440	5.80	6.20	-
h	0.0099	0.0196	0.25	0.50	5
L	0.016	0.050	0.40	1.27	6
N	8		8		7
$\alpha$	0°	8°	0°	8°	-

**NOTES:**

1. Symbols are defined in the "MO Series Symbol List" in Section 2.2 of Publication Number 95.
2. Dimensioning and tolerancing per ANSI Y14.5M-1982.
3. Dimension "D" does not include mold flash, protrusions or gate burrs. Mold flash, protrusion and gate burrs shall not exceed 0.15mm (0.006 inch) per side.
4. Dimension "E" does not include interlead flash or protrusions. Interlead flash and protrusions shall not exceed 0.25mm (0.010 inch) per side.
5. The chamfer on the body is optional. If it is not present, a visual index feature must be located within the crosshatched area.
6. "L" is the length of terminal for soldering to a substrate.
7. "N" is the number of terminal positions.
8. Terminal numbers are shown for reference only.
9. The lead width "B", as measured 0.36mm (0.014 inch) or greater above the seating plane, shall not exceed a maximum value of 0.61mm (0.024 inch).
10. Controlling dimension: MILLIMETER. Converted inch dimensions are not necessarily exact.

Rev. 0 12/93

Small Outline Transistor Plastic Packages (SOT23-5)



P5.064

5 LEAD SMALL OUTLINE TRANSISTOR PLASTIC PACKAGE

SYMBOL	INCHES		MILLIMETERS		NOTES
	MIN	MAX	MIN	MAX	
A	0.036	0.057	0.90	1.45	-
A1	0.000	0.0059	0.00	0.15	-
A2	0.036	0.051	0.90	1.30	-
b	0.012	0.020	0.30	0.50	-
b1	0.012	0.018	0.30	0.45	-
c	0.003	0.009	0.08	0.22	6
c1	0.003	0.008	0.08	0.20	6
D	0.111	0.118	2.80	3.00	3
E	0.103	0.118	2.60	3.00	-
E1	0.060	0.067	1.50	1.70	3
e	0.0374 Ref		0.95 Ref		-
e1	0.0748 Ref		1.90 Ref		-
L	0.014	0.022	0.35	0.55	4
L1	0.024 Ref.		0.60 Ref.		-
L2	0.010 Ref.		0.25 Ref.		-
N	5		5		5
R	0.004	-	0.10	-	-
R1	0.004	0.010	0.10	0.25	-
$\alpha$	0°	8°	0°	8°	-

Rev. 2 9/03

NOTES:

1. Dimensioning and tolerance per ASME Y14.5M-1994.
2. Package conforms to EIAJ SC-74 and JEDEC MO178AA.
3. Dimensions D and E1 are exclusive of mold flash, protrusions, or gate burrs.
4. Footlength L measured at reference to gauge plane.
5. "N" is the number of terminal positions.
6. These Dimensions apply to the flat section of the lead between 0.08mm and 0.15mm from the lead tip.
7. Controlling dimension: MILLIMETER. Converted inch dimensions are for reference only.

All Intersil U.S. products are manufactured, assembled and tested utilizing ISO9000 quality systems.

Intersil Corporation's quality certifications can be viewed at [www.intersil.com/design/quality](http://www.intersil.com/design/quality)

Intersil products are sold by description only. Intersil Corporation reserves the right to make changes in circuit design, software and/or specifications at any time without notice. Accordingly, the reader is cautioned to verify that data sheets are current before placing orders. Information furnished by Intersil is believed to be accurate and reliable. However, no responsibility is assumed by Intersil or its subsidiaries for its use; nor for any infringements of patents or other rights of third parties which may result from its use. No license is granted by implication or otherwise under any patent or patent rights of Intersil or its subsidiaries.

For information regarding Intersil Corporation and its products, see [www.intersil.com](http://www.intersil.com)