

Customer Information Sheet

DRAWING No.: D01-60200XX

SHEET 2 OF 2

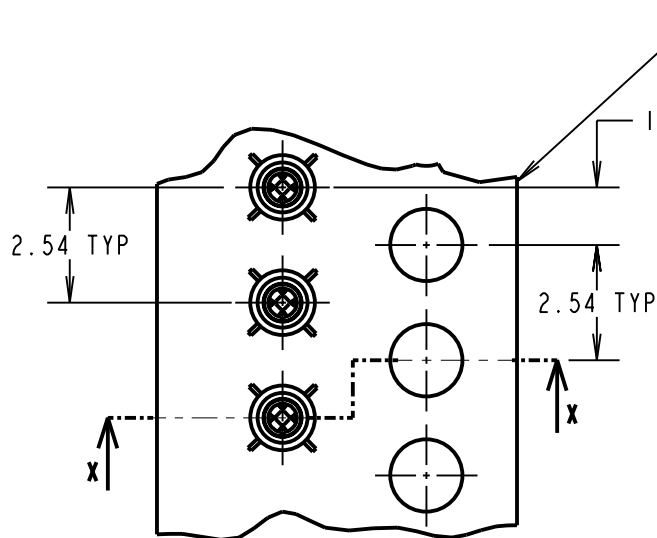
IF IN DOUBT - ASK

(C)

NOT TO SCALE

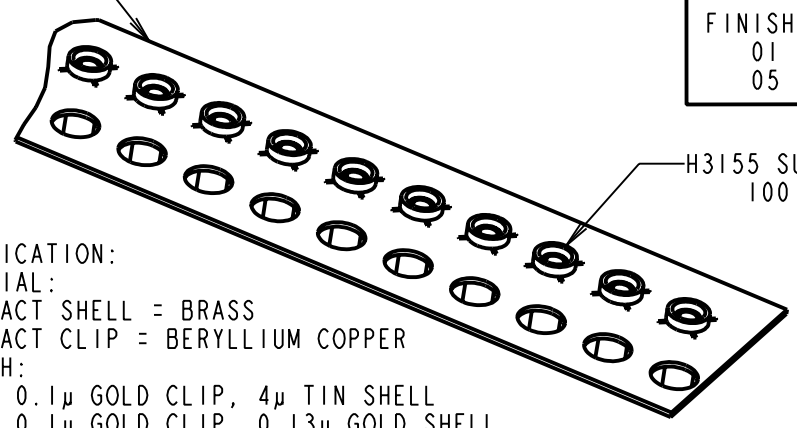
THIRD ANGLE PROJECTION

ALL DIMENSIONS IN mm



MYLAR CARRIER STRIP

ORDER CODE:
D01-60200XX
FINISH:
01 = GOLD CLIP, TIN SHELL
05 = GOLD CLIP, GOLD SHELL



SPECIFICATION:

MATERIAL:

CONTACT SHELL = BRASS
CONTACT CLIP = BERYLLIUM COPPER

FINISH:

01 = 0.1µ GOLD CLIP, 4µ TIN SHELL
05 = 0.1µ GOLD CLIP, 0.13µ GOLD SHELL

ELECTRICAL:

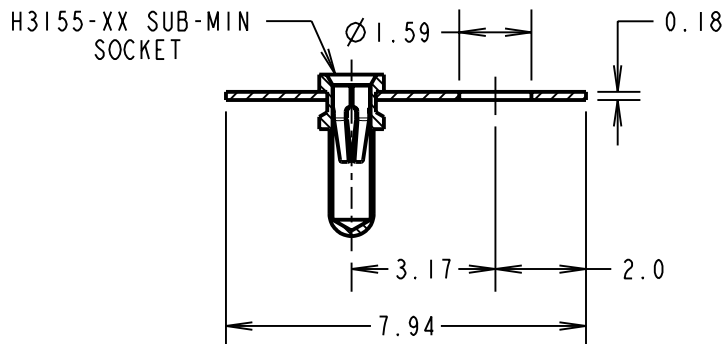
CURRENT RATING AT 25°C = 2A MAX
CURRENT RATING AT 85°C = 1.75A MAX
CONTACT RESISTANCE (INITIAL) = 15 MILLIOHMS MAX
CONTACT RESISTANCE (AFTER CONDITIONING) = 25 MILLIOHMS MAX

MECHANICAL:

INSERTION FORCE (∅0.5mm GAUGE) = 6N MAX, 2N MIN
WITHDRAWAL FORCE (∅0.5mm GAUGE) = 1.5N MIN, 0.5N MIN
DURABILITY - 01 & 05 = 500 OPERATIONS

ENVIRONMENTAL:

OPERATING TEMPERATURE = -55°C TO +125°C
FOR COMPLETE SPECIFICATION, SEE COMPONENT SPECIFICATION C006XX (LATEST ISSUE)



NOTES:

1. MAXIMUM CONTACT DEPTH = 2.15mm.
2. MAXIMUM PIN LENGTH = 3.15mm
3. RECOMMENDED PIN SIZE = ∅0.51 -0.46mm
4. RECOMMENDED MOUNTING HOLE SIZE = ∅1.10mm-1.00mm
5. QUANTITY = STRIP OF 100 PER TUBE

RA	2	28.01.10	----
NAME	ISS.	DATE	C/NOTE
APPROVED:		R.ADDE	
CHECKED:		M.G.PLESTED	
DRAWN:		R.WHITE	
CUSTOMER REF.:			
ASSEMBLY DRG:			

HARWIN

HARWIN USA TEL: 603 893 5376 FAX: 603 893 5396 mis@harwin.com	HARWIN Europe (UK) TEL: 023 9231 4545 FAX: 023 9231 4590 mis@harwin.co.uk	HARWIN Asia TEL: +65 6 779 4909 FAX: +65 6 779 3868 mis@harwin.com.sg
--	--	--

THIS DRAWING AND ANY INFORMATION OR DESCRIPTIVE MATTER SET OUT HEREON ARE CONFIDENTIAL AND COPYRIGHT PROPERTY OF THE HARWIN GROUP AND MUST NOT BE DISCLOSED, LOANED, COPIED OR USED FOR MANUFACTURING, TENDERING OR FOR ANY OTHER PURPOSE WITHOUT THEIR WRITTEN PERMISSION.

TOLERANCES
X. = ±1mm
X.X = ±0.25mm
X.XX = ±0.10mm
X.XXX = ±0.01mm
ANGLES = ±5°
UNLESS STATED

MATERIAL:
SEE ABOVE
FINISH: SEE ABOVE
S/AREA: mm²

TITLE: BANDOLIERYED SUB-MIN SOCKET-H3155 (ON MYLAR STRIP-100 PER STRIP)
DRAWING NUMBER: D01-60200XX
SHT 2 OF 2