

# Customer Information Sheet

DRAWING No.: D01-60300XX

SHEET 2 OF 2

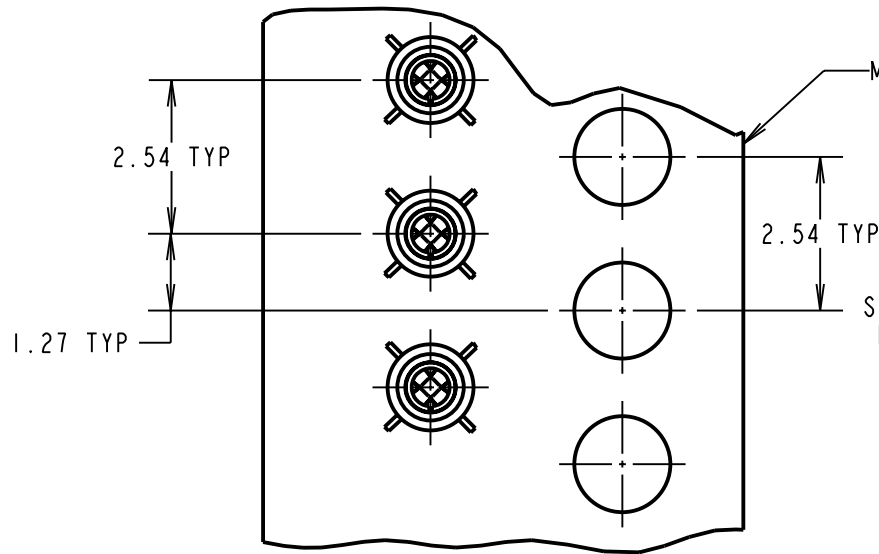
IF IN DOUBT - ASK

©

NOT TO SCALE

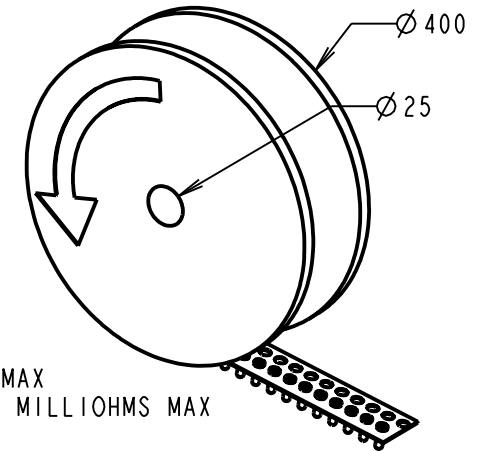
THIRD ANGLE PROJECTION

ALL DIMENSIONS IN mm



MYLAR CARRIER STRIP

ORDER CODE:  
**D01-60300XX**  
FINISH:  
01 = GOLD CLIP, TIN SHELL  
05 = GOLD CLIP, GOLD SHELL



**SPECIFICATION:**

**MATERIAL:**

CONTACT SHELL = BRASS  
CONTACT CLIP = BERYLLIUM COPPER

**FINISH:**

01 = 0.1µ GOLD CLIP, 4µ TIN SHELL  
05 = 0.1µ GOLD CLIP, 0.13µ GOLD SHELL

**ELECTRICAL:**

CURRENT RATING AT 25°C = 2A MAX  
CURRENT RATING AT 85°C = 1.75A MAX  
CONTACT RESISTANCE (INITIAL) = 15 MILLIOHMS MAX  
CONTACT RESISTANCE (AFTER CONDITIONING) = 25 MILLIOHMS MAX

**MECHANICAL:**

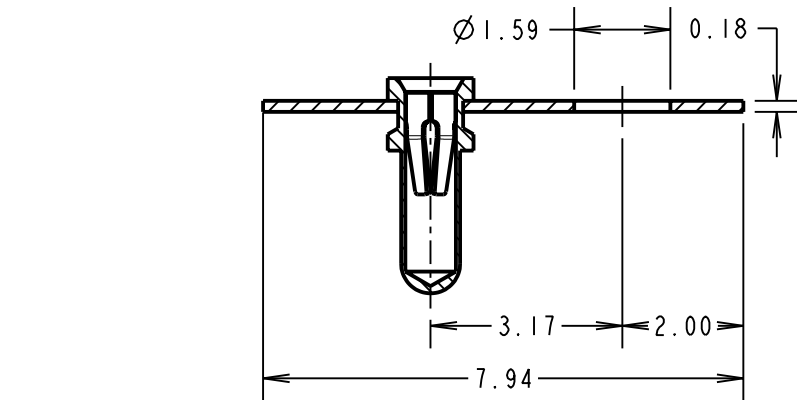
INSERTION FORCE (Ø 0.5mm GAUGE) = 6N MAX, 2N MIN  
WITHDRAWAL FORCE (Ø 0.5mm GAUGE) = 1.5N MIN, 0.5N MIN

DURABILITY - 01 & 05 = 500 OPERATIONS

**ENVIRONMENTAL:**

OPERATING TEMPERATURE = -55°C TO +125°C

FOR COMPLETE SPECIFICATION, SEE COMPONENT SPECIFICATION C006XX (LATEST ISSUE)



**NOTES:**

1. MAXIMUM CONTACT DEPTH = 2.15mm.
2. MAXIMUM PIN LENGTH = 3.15mm
3. RECOMMENDED MOUNTING HOLE SIZE = Ø 1.10mm - 1.00mm
4. RECOMMENDED PIN SIZE = Ø 0.51 - 0.46mm
5. QUANTITY PER REEL = 5,000

RA	4	28.01.10	10659
NAME	ISS.	DATE	C/NOTE
APPROVED:		R. ADDE	
CHECKED:		M.G. PLESTED	
DRAWN:		R. WHITE	
CUSTOMER REF.:			
ASSEMBLY DRG:			

**HARWIN**

HARWIN USA  
TEL: 603 893 5376  
FAX: 603 893 5396  
mis@harwin.com

HARWIN Europe (UK)  
TEL: 023 9231 4545  
FAX: 023 9231 4590  
mis@harwin.co.uk

HARWIN Asia  
TEL: +65 6 779 4909  
FAX: +65 6 779 3868  
mis@harwin.com.sg

THIS DRAWING AND ANY INFORMATION OR DESCRIPTIVE MATTER SET OUT HEREON ARE CONFIDENTIAL AND COPYRIGHT PROPERTY OF THE HARWIN GROUP AND MUST NOT BE DISCLOSED, LOANED, COPIED OR USED FOR MANUFACTURING, TENDERING OR FOR ANY OTHER PURPOSE WITHOUT THEIR WRITTEN PERMISSION.

**TOLERANCES**

X. = ±1mm  
X.X = ±0.25mm  
X.XX = ±0.10mm  
X.XXX = ±0.01mm

ANGLES = ±5°  
UNLESS STATED

**MATERIAL:**

SEE ABOVE

FINISH: SEE ABOVE

S/AREA: mm<sup>2</sup>

**TITLE:**

BANDOLIERS SUB-MIN  
SOCKET-H3155-XX

**DRAWING NUMBER:**

**D01-60300XX**

SHT  
2 OF 2