

Customer Information Sheet

DRAWING No.: M20-789XXXX

SHEET 2 OF 2

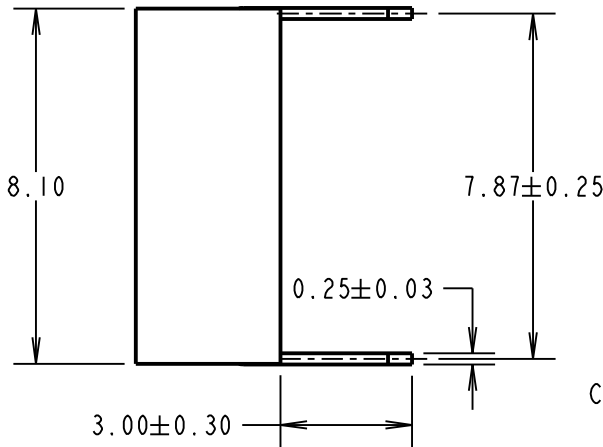
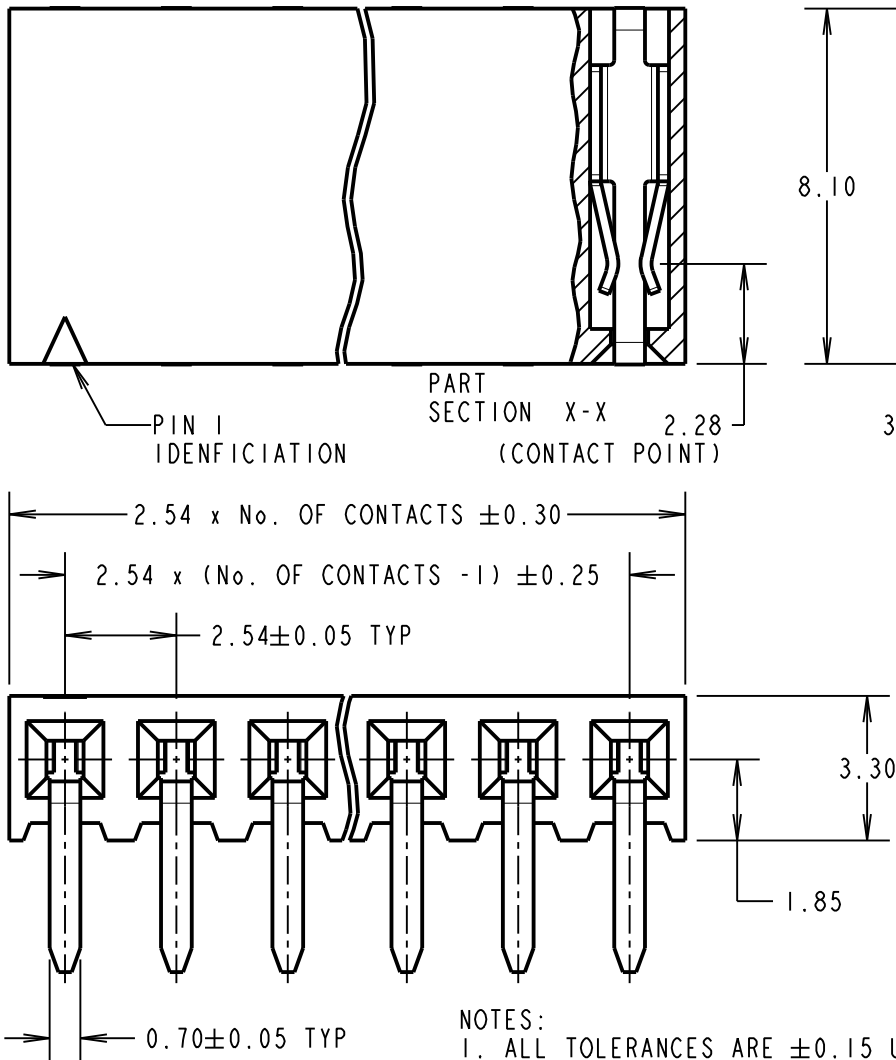
IF IN DOUBT - ASK

(C)

NOT TO SCALE

THIRD ANGLE PROJECTION

ALL DIMENSIONS IN mm

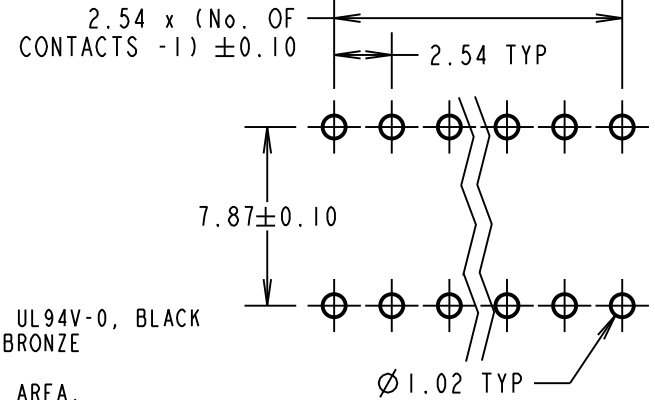


ORDER CODE: **M20-789XXXX**

No. OF CONTACTS: _____
02 TO 40

FINISH: _____
42 - SELECTIVE GOLD + 100% TIN
46 - 100% TIN

RECOMMENDED PCB LAYOUT TOLERANCE = ±0.05



SPECIFICATION:

MATERIAL:

MOULDING = NYLON 6T, UL94V-0, BLACK

CONTACTS = PHOSPHOR BRONZE

FINISH (OVER NICKEL):

42 = GOLD ON CONTACT AREA,
2.54µ 100% TIN OVER NICKEL ON TAILS

46 = 2.54µ 100% TIN OVER NICKEL

ELECTRICAL:

CURRENT RATING = 3A

VOLTAGE PROOF = 500V AC FOR ONE MINUTE

CONTACT RESISTANCE = 20mΩ MAX

INSULATION RESISTANCE = 1,000MΩ MIN.

ENVIRONMENTAL:

TEMPERATURE RANGE = -40° TO +105°

PACKING:

TUBE.

FOR COMPLETE SPECIFICATION SEE COMPONENT SPECIFICATION COOIXX (LATEST ISSUE)

NOTES:

1. ALL TOLERANCES ARE ±0.15 UNLESS OTHERWISE STATED.

SB	12	12.12.12	11735
NAME	ISS.	DATE	C/NOTE
APPROVED:		S.BENNETT	
CHECKED:		M.PLESTED	
DRAWN:		J. EVANS	
CUSTOMER REF.:			
ASSEMBLY DRG:			

HARWIN

www.harwin.com
technical@harwin.com

THIS DRAWING AND ANY INFORMATION OR DESCRIPTIVE MATTER SET OUT HEREON ARE CONFIDENTIAL AND COPYRIGHT PROPERTY OF THE HARWIN GROUP AND MUST NOT BE DISCLOSED, LOANED, COPIED OR USED FOR MANUFACTURING, TENDERING OR FOR ANY OTHER PURPOSE WITHOUT THEIR WRITTEN PERMISSION.

~~TOLERANCES~~

X = ±1mm

X.X = ±0.25mm

X.XX = ±0.10mm

X.XXX = ±0.01mm

ANGLES = ±5°

UNLESS STATED

MATERIAL: SEE ABOVE

FINISH: SEE ABOVE

S/AREA: mm²

TITLE: 2.54mm PITCH SIL PC TAIL HORIZONTAL SOCKET ASSEMBLY

DRAWING NUMBER: **M20-789XXXX**

SHT 2 OF 2