

Customer Information Sheet

DRAWING No.: M22-552XXXXP

SHEET 2 OF 2

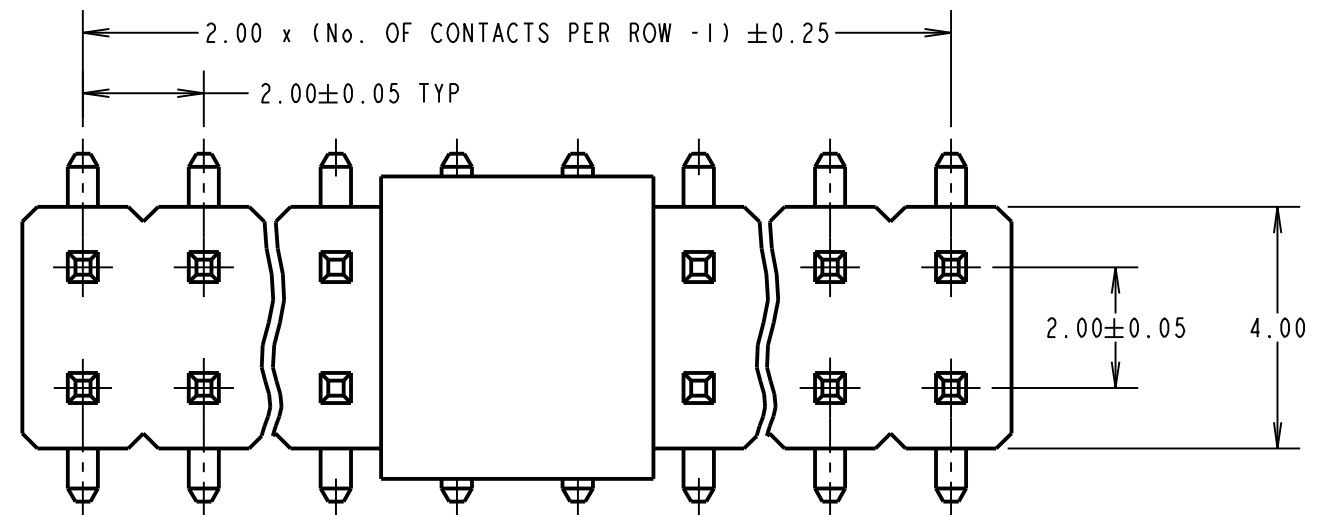
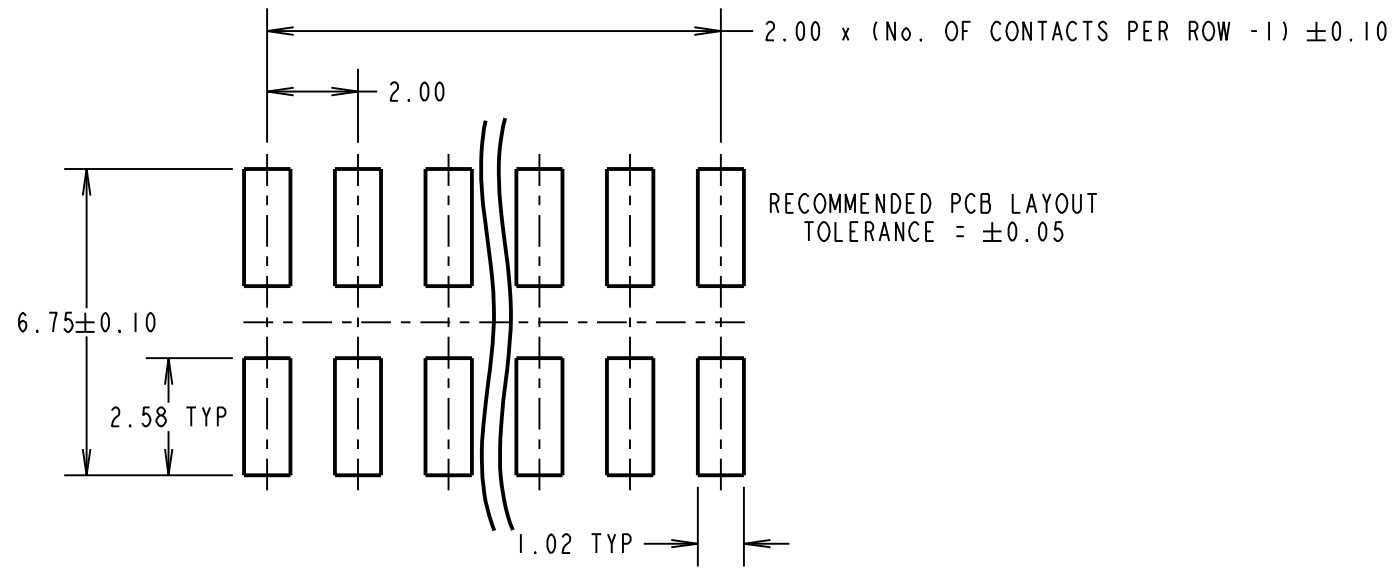
IF IN DOUBT - ASK

©

NOT TO SCALE

THIRD ANGLE PROJECTION

ALL DIMENSIONS IN mm



SPECIFICATIONS:

MATERIAL:
 MOULDING, PICK & PLACE CAP = NYLON 6T, UL94V-0, BLACK
 CONTACTS = PHOSPHOR BRONZE

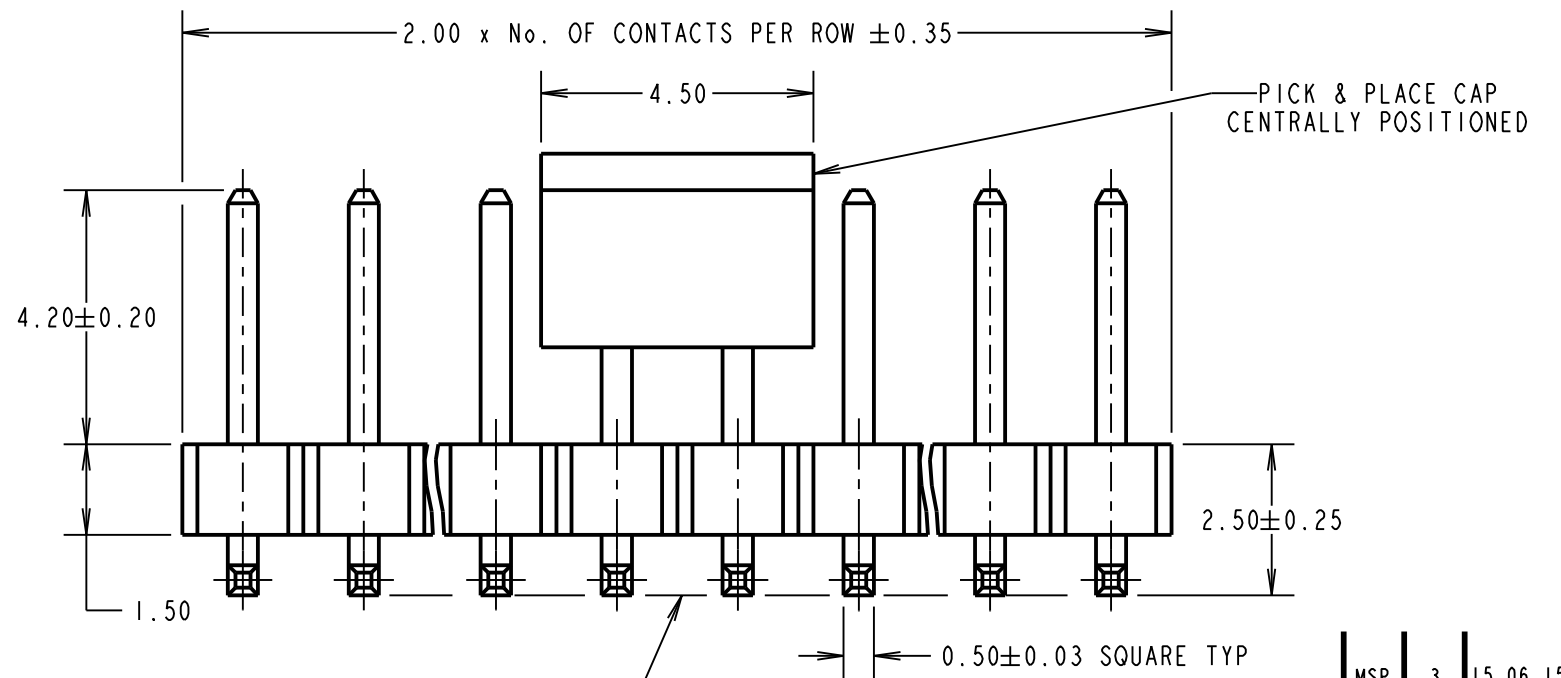
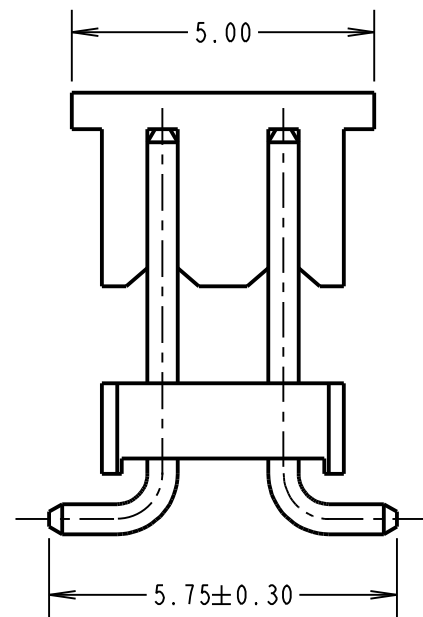
FINISH:
 05 = GOLD FLASH OVER NICKEL
 46 = 100% TIN OVER NICKEL

ELECTRICAL:
 CURRENT RATING = 2A
 VOLTAGE PROOF = 500V AC FOR ONE MINUTE
 CONTACT RESISTANCE = 20mΩ MAX
 INSULATION RESISTANCE = 1,000MΩ MIN

MECHANICAL:
 DURABILITY = 300 OPERATIONS MIN

ENVIRONMENTAL:
 TEMPERATURE RANGE = -40°C TO +105°C

PACKING:
 TUBE
 FOR COMPLETE SPECIFICATION, SEE
 COMPONENT SPECIFICATION C018XX (LATEST ISSUE)



ORDER CODE:	M22-552XXXXP
No. OF CONTACTS PER ROW	02 TO 20
FINISH	05 - GOLD FLASH OVER NICKEL 46 - 100% TIN OVER NICKEL

No. OF CONTACTS PER ROW	COPLANARITY TOLERANCE
02 TO 20	0.20mm MAX

MSP	3	15.06.15	12803
NAME	ISS.	DATE	C/NOTE
APPROVED:		M.PERREN	
CHECKED:		S.BENNETT	
DRAWN:		S.BENNETT	
CUSTOMER REF.:			
ASSEMBLY DRG:			

- NOTES:**
- ALL TOLERANCES ARE ±0.15 UNLESS OTHERWISE STATED.
 - SEE DRAWING M22-552XXXXR FOR TAPE & REELED VERSION, M22-552XXXX FOR STANDARD PRODUCT.
 - CO-PLANARITY: SMT TAILS MUST NOT EXCEED VALUES GIVEN IN TABLE.

HARWIN
 www.harwin.com
 technical@harwin.com

THIS DRAWING AND ANY INFORMATION OR DESCRIPTIVE MATTER SET OUT HEREON ARE CONFIDENTIAL AND COPYRIGHT PROPERTY OF THE HARWIN GROUP AND MUST NOT BE DISCLOSED, LOANED, COPIED OR USED FOR MANUFACTURING, TENDERING OR FOR ANY OTHER PURPOSE WITHOUT THEIR WRITTEN PERMISSION.

TOLERANCES

X. = ±1mm
X.X = ±0.50mm
X.XX = ±0.10mm
X.XXX = ±0.01mm
ANGLES = ±5°
UNLESS STATED

MATERIAL: SEE ABOVE

FINISH: SEE ABOVE

S/AREA: mm²

TITLE: 2.00mm PITCH DIL SMT PIN HEADER ASSEMBLY (WITH PICK & PLACE CAP)

DRAWING NUMBER: M22-552XXXXP

SHT 2 OF 2