

Customer Information Sheet

DRAWING No.: M22-563XX05

SHEET 2 OF 2

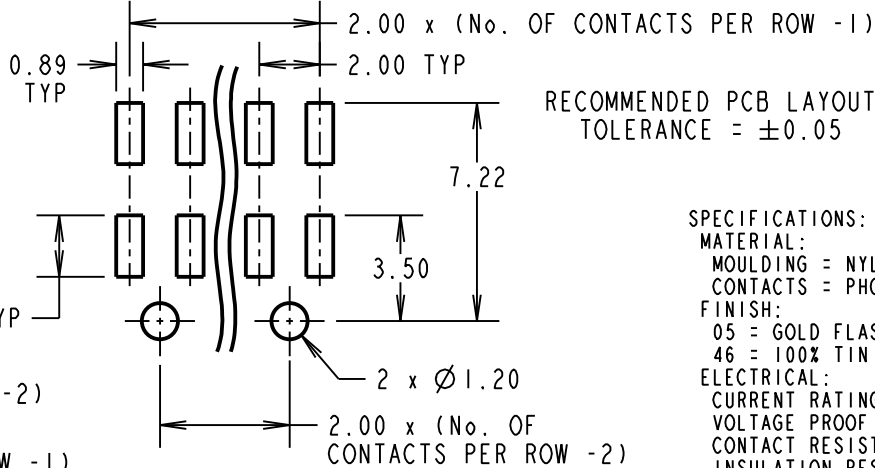
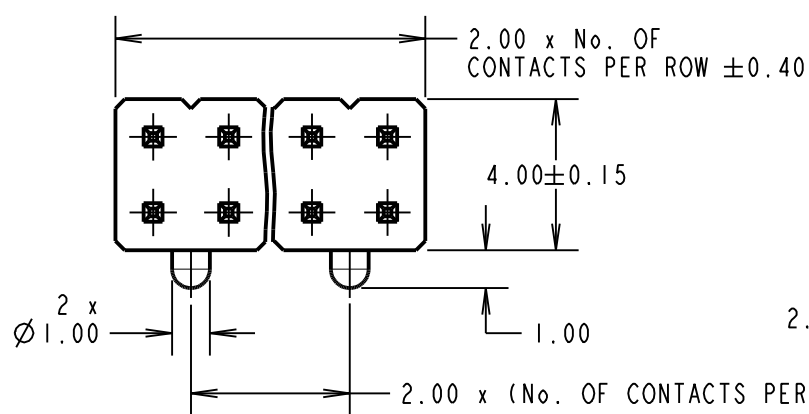
IF IN DOUBT - ASK

©

NOT TO SCALE

THIRD ANGLE PROJECTION

ALL DIMENSIONS IN mm



RECOMMENDED PCB LAYOUT TOLERANCE = ±0.05

SPECIFICATIONS:

MATERIAL:
 MOULDING = NYLON 6T, UL94V-0, BLACK
 CONTACTS = PHOSPHOR BRONZE

FINISH:
 05 = GOLD FLASH OVER NICKEL
 46 = 100% TIN OVER NICKEL

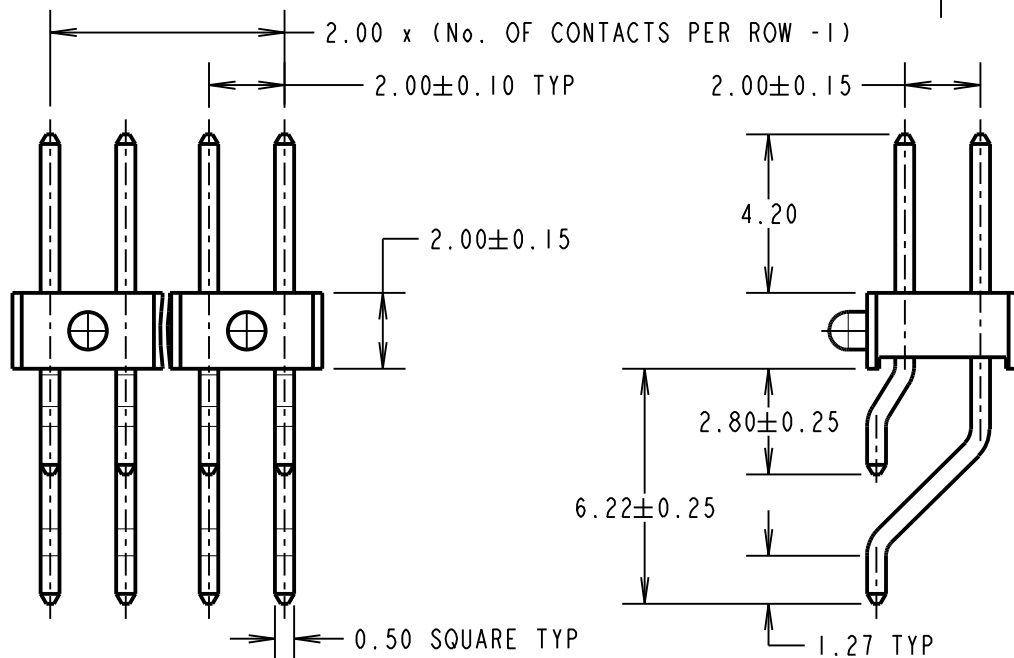
ELECTRICAL:
 CURRENT RATING = 2A
 VOLTAGE PROOF = 500V AC FOR ONE MINUTE
 CONTACT RESISTANCE = 20mΩ MAX
 INSULATION RESISTANCE = 1,000MΩ MIN

MECHANICAL:
 DURABILITY = 300 OPERATIONS MIN

ENVIRONMENTAL:
 TEMPERATURE RANGE = -40°C TO +105°C

PACKING:
 BAG

FOR COMPLETE SPECIFICATION, SEE COMPONENT SPECIFICATION C018XX (LATEST ISSUE)



- NOTES:**
- ALL TOLERANCES ARE ±0.20 UNLESS OTHERWISE STATED.
 - CO-PLANARITY OF SMT TAILS MUST NOT EXCEED 0.20mm TO MOULDING.

ORDER CODE:

M22-563XX05

No. OF CONTACTS PER ROW
 03 TO 20

FINISH
 05 - GOLD FLASH OVER NICKEL

MSP	2	15.06.15	12803
NAME	ISS.	DATE	C/NOTE
APPROVED:		M.PERREN	
CHECKED:		S.BENNETT	
DRAWN:		S.BENNETT	
CUSTOMER REF.:			
ASSEMBLY DRG:			

HARWIN

www.harwin.com
 technical@harwin.com

THIS DRAWING AND ANY INFORMATION OR DESCRIPTIVE MATTER SET OUT HEREON ARE CONFIDENTIAL AND COPYRIGHT PROPERTY OF THE HARWIN GROUP AND MUST NOT BE DISCLOSED, LOANED, COPIED OR USED FOR MANUFACTURING, TENDERING OR FOR ANY OTHER PURPOSE WITHOUT THEIR WRITTEN PERMISSION.

TOLERANCES

~~X = ± 1mm~~
~~X.X = ± 0.50mm~~
~~X.XX = ± 0.10mm~~
~~X.XXX = ± 0.01mm~~

ANGLES = ±5°
 UNLESS STATED

MATERIAL:

SEE ABOVE

FINISH:

SEE ABOVE

S/AREA:

mm²

TITLE:

2.00mm PITCH DIL
 SMT PIN HEADER ASSEMBLY

DRAWING NUMBER:

M22-563XX05

SHT
 2 OF 2