

# Customer Information Sheet

DRAWING No.: M22-636XXXXR

SHEET 2 OF 2

IF IN DOUBT - ASK

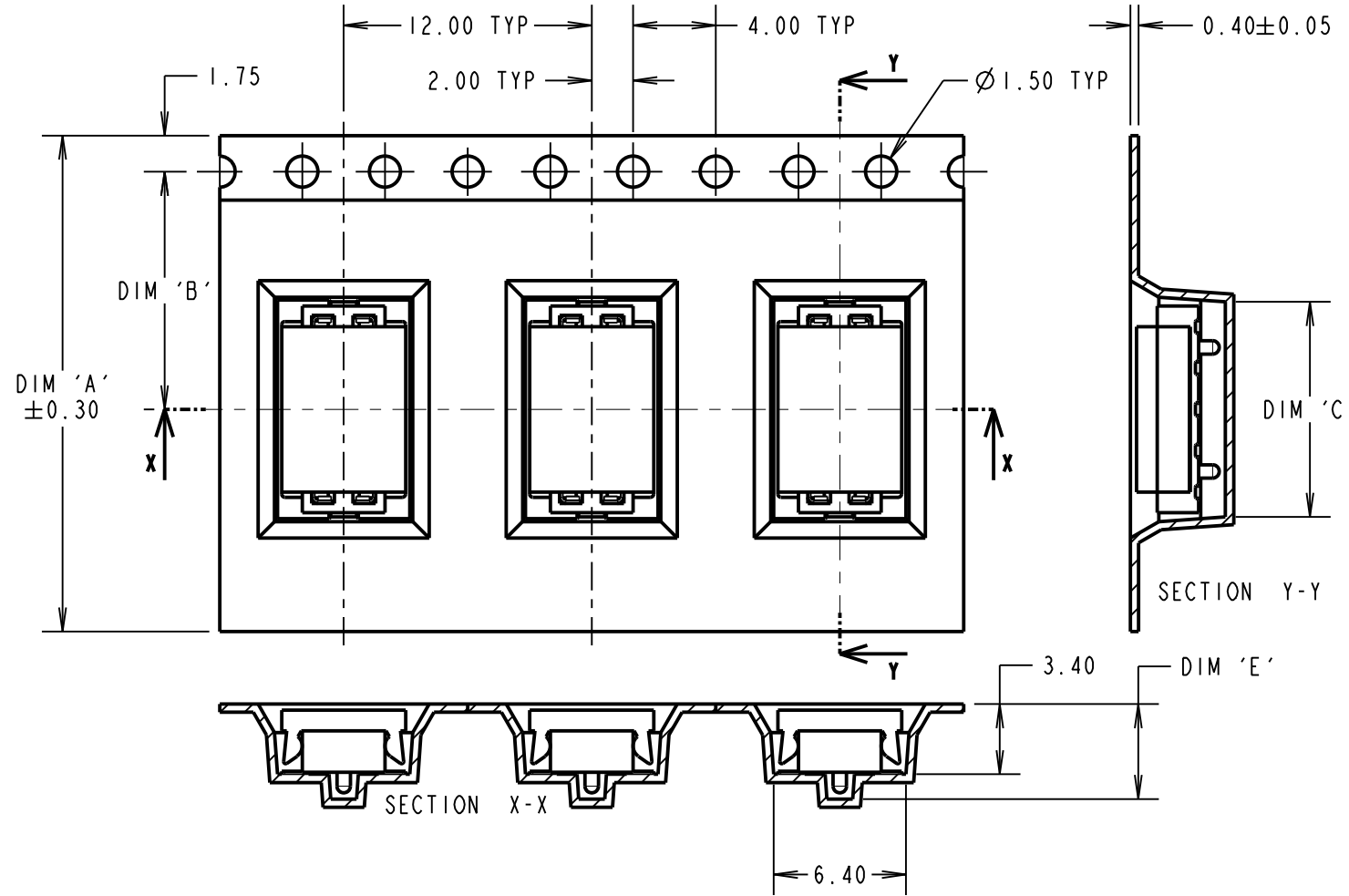
©

NOT TO SCALE

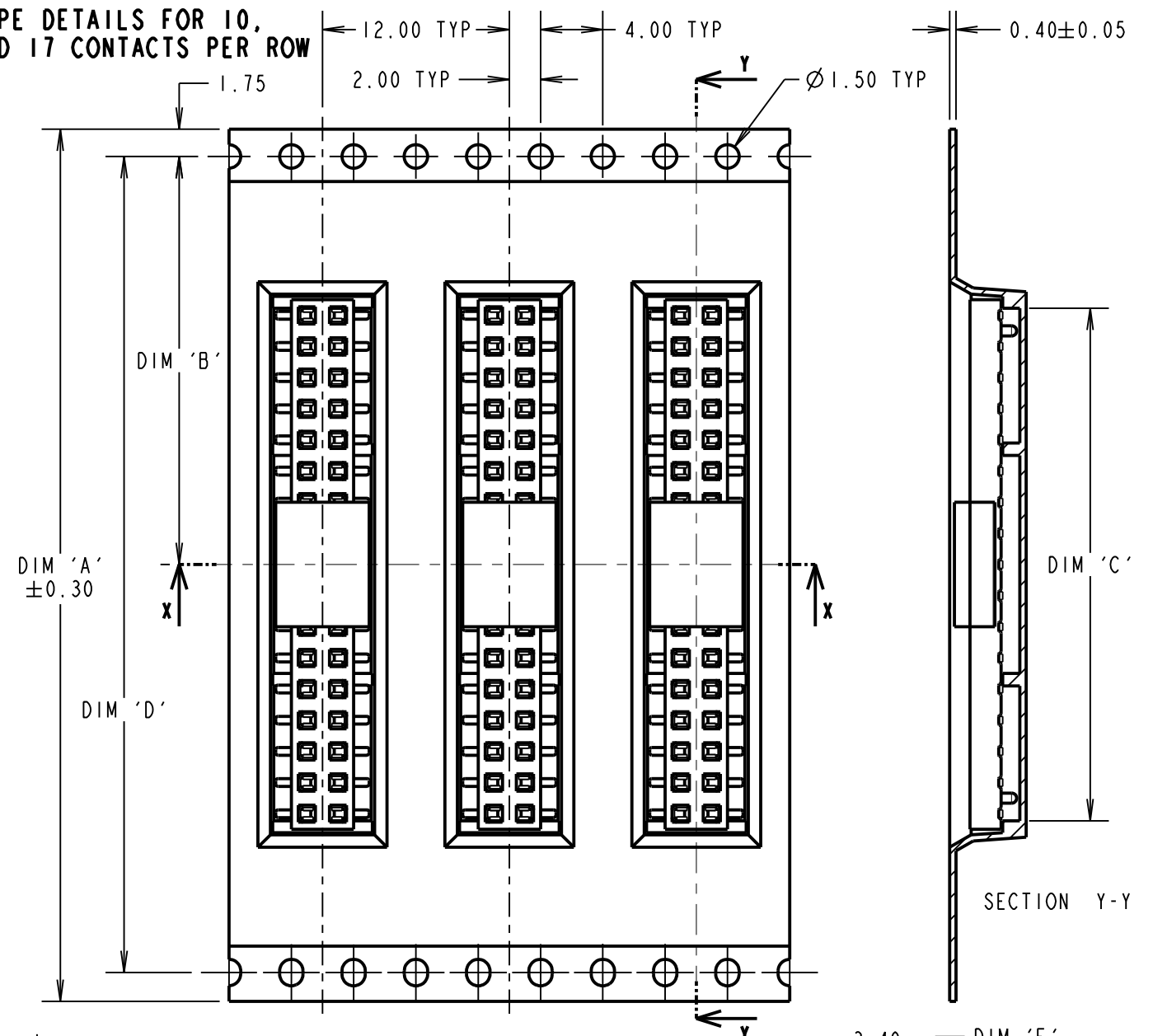
THIRD ANGLE PROJECTION

ALL DIMENSIONS IN mm

## TAPE DETAILS FOR 03, 04, 05, 06 AND 07 CONTACTS PER ROW



## TAPE DETAILS FOR 10, 12 AND 17 CONTACTS PER ROW

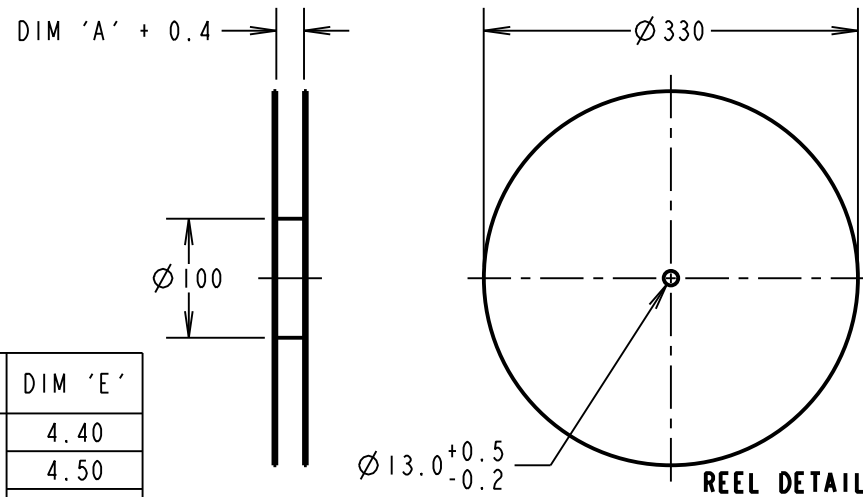


- NOTES:
- FOR CONNECTOR DETAILS SEE M22-636XXXX.
  - QUANTITY OF COMPONENTS PER REEL = 1200.
  - PICK & PLACE CAP LOCATED CENTRALLY ON COMPONENT.

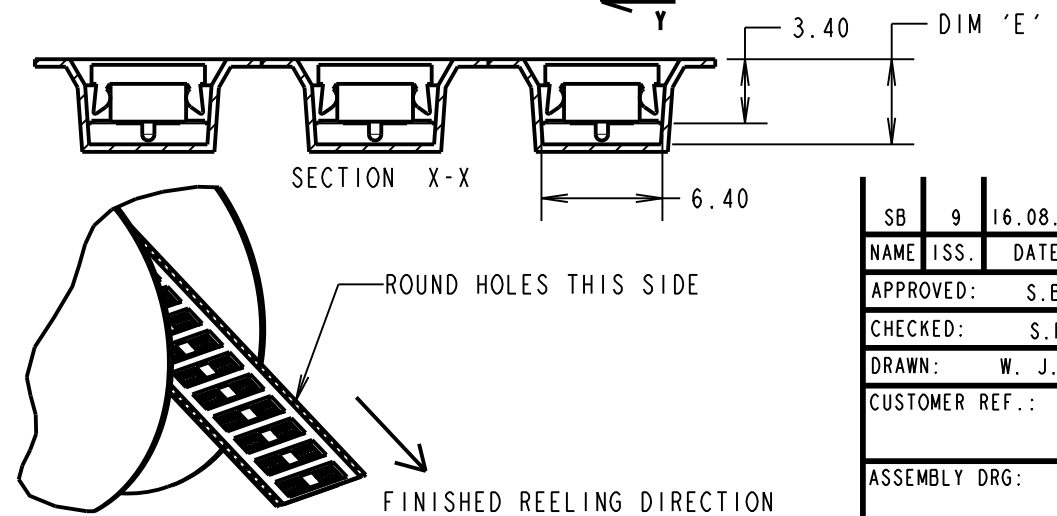
ORDER CODE: **M22-636XXXXR**

No. OF CONTACTS PER ROW: 03, 04, 05, 06, 07, 10, 12, 17

FINISH:  
42 - SELECTIVE GOLD FLASH & 100% TIN  
46 - 100% TIN



REEL DETAILS



PART No.	DIM 'A'	DIM 'B'	DIM 'C'	DIM 'D'	DIM 'E'
M22-63603XXR	16.00	7.50	6.40	N/A	4.40
M22-63604XXR			8.40		4.50
M22-63605XXR			10.40		4.60
M22-63606XXR	24.00	11.50	12.40		4.50
M22-63607XXR			14.40		
M22-63610XXR	44.00	20.20	20.40	28.40	4.60
M22-63612XXR			24.40		
M22-63617XXR	56.00	26.20	32.90	52.40	4.50

**HARWIN**

www.harwin.com  
technical@harwin.com

THIS DRAWING AND ANY INFORMATION OR DESCRIPTIVE MATTER SET OUT HEREON ARE CONFIDENTIAL AND COPYRIGHT PROPERTY OF THE HARWIN GROUP AND MUST NOT BE DISCLOSED, LOANED, COPIED OR USED FOR MANUFACTURING, TENDERING OR FOR ANY OTHER PURPOSE WITHOUT THEIR WRITTEN PERMISSION.

TOLERANCES  
X. = ±1mm  
X.X = ±0.25mm  
X.XX = ±0.10mm  
X.XXX = ±0.01mm  
ANGLES = ±5°  
UNLESS STATED

MATERIAL: SEE NOTE 1  
FINISH: SEE NOTE 1  
S/AREA: mm<sup>2</sup>

TITLE: 2mm PITCH DIL SMT VERTICLE LOW-PROFILE SOCKET (TAPE AND REEL)

DRAWING NUMBER: **M22-636XXXXR** SHT 2 OF 2

SB	9	16.08.13	12176
NAME	ISS.	DATE	C/NOTE
APPROVED:		S. BENNETT	
CHECKED:		S. FLOWER	
DRAWN:		W. J. BOURNE	
CUSTOMER REF.:			
ASSEMBLY DRG.:			