

Section A-A

RECOMMENDED PCB LAYOUT

NO. OF POSITIONS	DIMENSIONS		
	A	B	C
02	1.25	3.80	7.65
03	2.50	5.05	8.90
04	3.75	6.30	10.15
05	5.00	7.55	11.40
06	6.25	8.80	12.65
07	7.50	10.05	13.90
08	8.75	11.30	15.15
09	10.00	12.55	16.40
10	11.25	13.80	17.65
11	12.50	15.05	18.90
12	13.75	16.30	20.15
14	16.25	18.80	22.65
15	17.50	20.05	23.90
16	18.75	21.30	25.15
20	23.75	26.30	30.15
30	36.25	38.80	42.65

SPECIFICATIONS:

MATERIAL:-

MOULDING: NYLON 9T, UL94V-0

CONTACT: BRASS

SOLDER TAB: BRASS

FINISH:-

MOULDING: NATURAL COLOR

CONTACT: GOLD PLATED

SOLDER TAB: TIN PLATED

ELECTRICAL:-

CURRENT RATING: 1A AC, DC

WORKING VOLTAGE: 125V AD, DC

WITHSTANDING VOLTAGE: 500V AC/MINUTE

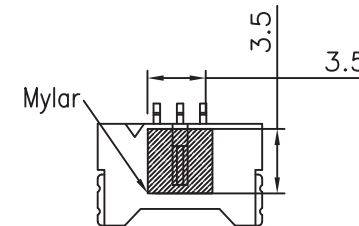
CONTACT RESISTANCE: 20 mΩ MAX.

INSULATION RESISTANCE: 100 MΩ MIN.

ENVIRONMENTAL:-

TEMPERATURE RANGE: -25°C ~ +85°C

NOTES: ALL DIMENSIONS AND NOTES MARKED * ARE CRITICAL AND MUST BE CHECKED IN ACCORDANCE WITH QUALITY DOC. QI-02A



Allan	3	22.03.11	A354
Allan	2	17.09.07	A075
Allan	1	01.08.06	-

NAME	ISS.	DATE	C/NOTE
------	------	------	--------

APPROVED: *Paul*

CHECKED:

DRAWN: Allan

ORDER CODE
M30-501 XX 45R
NO. OF WAYS PER ROW

CUSTOMER REF.:

ASSEMBLY DRG:



THIS DRAWING AND ANY INFORMATION OR DESCRIPTIVE MATTER SET OUT HEREON ARE CONFIDENTIAL AND COPYRIGHT PROPERTY OF THE HARWIN GROUP AND MUST NOT BE DISCLOSED, LOANED, COPIED OR USED FOR MANUFACTURING, TENDERING OR FOR ANY OTHER PURPOSE WITHOUT THEIR WRITTEN PERMISSION.

TOLERANCES
X. = ±1mm
X.X = ±0.25mm
X.XX = ±0.15mm
X.XXX = ±0.05mm
ANGLES = ±5°
UNLESS STATED

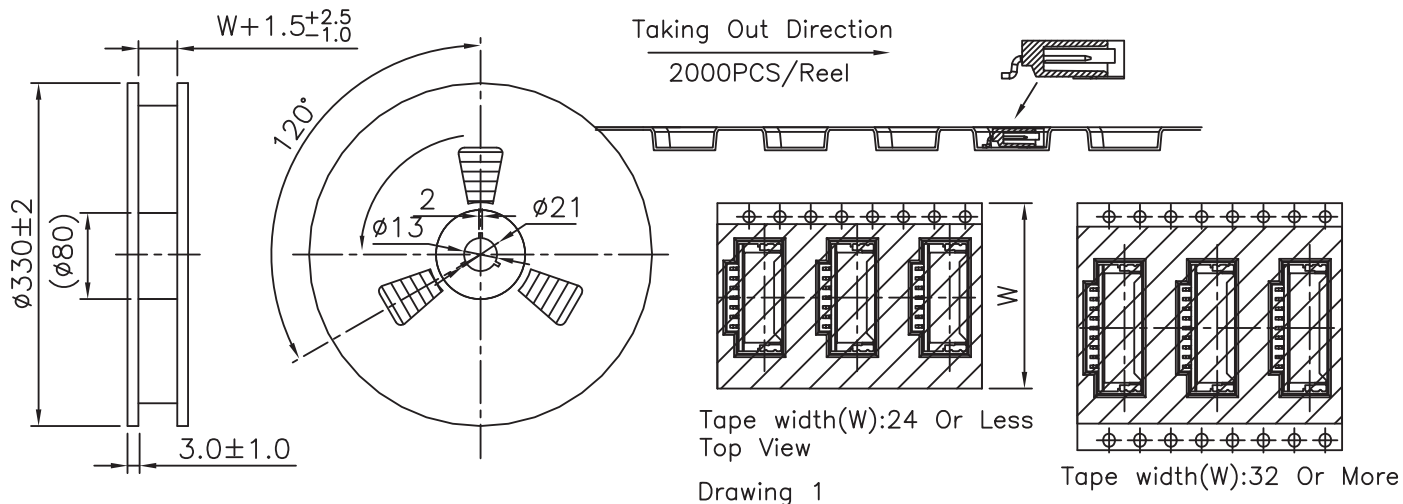
MATERIAL: SEE NOTES
FINISH: SEE NOTES
S/AREA: mm²

TITLE: 1.25mm PITCH R/A WAFER SMT TYPE ULTRA LOW PROFILE
DRAWING NUMBER: M30-501 XX 45R
SHT 1 OF 2

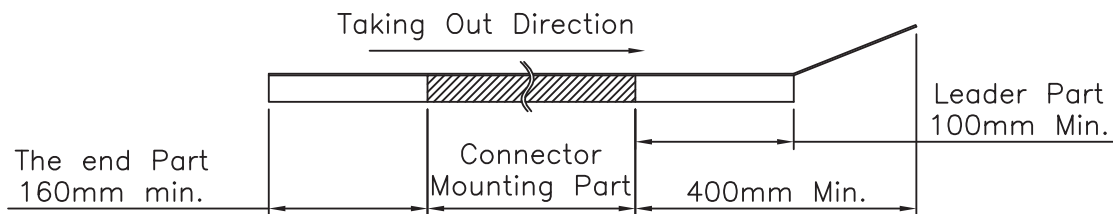
HARWIN USA
TEL: 603 893 5376
FAX: 603 893 5396
mis@harwin.com

HARWIN Europe (UK)
TEL: 023 9231 4545
FAX: 023 9231 4590
mis@harwin.co.uk

HARWIN Asia
TEL: +65 6 779 4909
FAX: +65 6 779 3868
mis@harwin.com.sg



Leading Tape Length



Peel strength of cover tape
Requirement:10gf~130gf
(Peeling speed:300mm/minute)

Allan	3	22.03.11	A354
Allan	2	17.09.07	A075
Allan	1	01.08.06	-

NAME	ISS.	DATE	C/NOTE
------	------	------	--------

APPROVED: *Paul*

CHECKED:

DRAWN: Allan

CUSTOMER REF.:

ASSEMBLY DRG:



THIS DRAWING AND ANY INFORMATION OR DESCRIPTIVE MATTER SET OUT HEREON ARE CONFIDENTIAL AND COPYRIGHT PROPERTY OF THE HARWIN GROUP AND MUST NOT BE DISCLOSED, LOANED, COPIED OR USED FOR MANUFACTURING, TENDERING OR FOR ANY OTHER PURPOSE WITHOUT THEIR WRITTEN PERMISSION.

TOLERANCES
X. = ±1mm
X.X = ±0.25mm
X.XX = ±0.15mm
X.XXX = ±0.05mm
ANGLES = ±5°
UNLESS STATED

MATERIAL:
SEE NOTES
FINISH: SEE NOTES
S/AREA: mm²

TITLE:
1.25mm PITCH R/A WAFER
SMT TYPE ULTRA LOW PROFILE
DRAWING NUMBER:
M30-501 XX 45R
SHT 2 OF 2

HARWIN USA
TEL: 603 893 5376
FAX: 603 893 5396
mis@harwin.com

HARWIN Europe (UK)
TEL: 023 9231 4545
FAX: 023 9231 4590
mis@harwin.co.uk

HARWIN Asia
TEL: +65 6 779 4909
FAX: +65 6 779 3868
mis@harwin.com.sg