

Customer Information Sheet

DRAWING No.: M50-20X0005

SHEET 2 OF 2

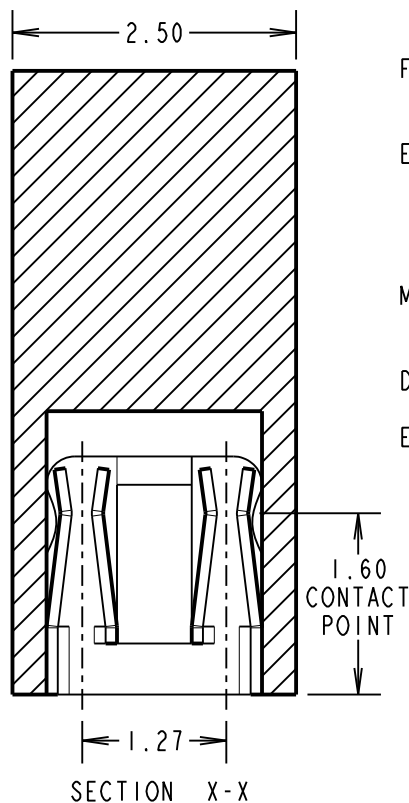
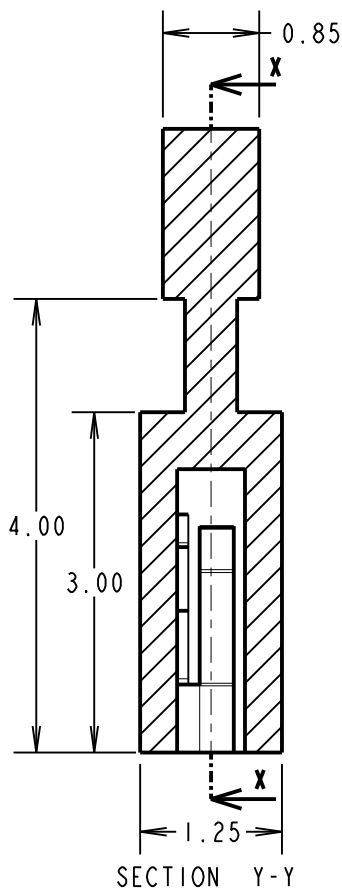
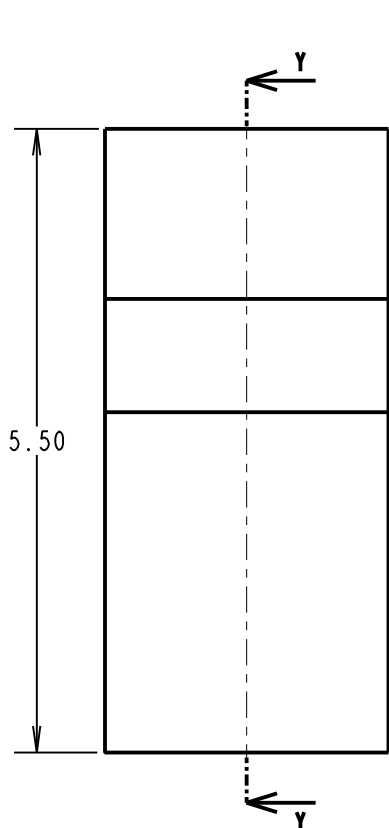
IF IN DOUBT - ASK

©

NOT TO SCALE

THIRD ANGLE PROJECTION

ALL DIMENSIONS IN mm



SPECIFICATION.

MATERIAL:

INSULATOR = NYLON 66, UL94V-0
FOR COLOUR SEE TABLE

CONTACT = COPPER ALLOY

FINISH:

0.025µ MIN GOLD FLASH OVER
0.81µ MIN NICKEL

ELECTRICAL:

CURRENT RATING = 1 AMP
INSULATION RESISTANCE = 1000M Ω MIN.
CONTACT RESISTANCE = 20m Ω MAX
DIELECTRIC VOLTAGE = 500V AC FOR ONE MINUTE

MECHANICAL:

INSERTION FORCE = 10.0N MAX
WITHDRAWAL FORCE = 0.6N MIN

DURABILITY:

300 OPERATIONS

ENVIRONMENTAL:

OPERATING TEMPERATURE = -40°C TO +105°C

NOTES:
1. ALL TOLERANCES ARE ±0.12 UNLESS OTHERWISE STATED.

RA	2	16.05.11	11276
NAME	ISS.	DATE	C/NOTE
APPROVED:		R. ADDE	
CHECKED:		M.G. PLESTED	
DRAWN:		R. ADDE	
CUSTOMER REF.:			
ASSEMBLY DRG:			

PART No.	COLOUR
M50-2000005	BLACK
M50-2020005	RED
M50-2030005	BLUE

HARWIN

HARWIN USA TEL: 603 893 5376 FAX: 603 893 5396 mis@harwin.com	HARWIN Europe (UK) TEL: 023 9231 4545 FAX: 023 9231 4590 mis@harwin.co.uk	HARWIN Asia TEL: +65 6 779 4909 FAX: +65 6 779 3868 mis@harwin.com.sg
--	--	--

THIS DRAWING AND ANY INFORMATION OR DESCRIPTIVE MATTER SET OUT HEREON ARE CONFIDENTIAL AND COPYRIGHT PROPERTY OF THE HARWIN GROUP AND MUST NOT BE DISCLOSED, LOANED, COPIED OR USED FOR MANUFACTURING, TENDERING OR FOR ANY OTHER PURPOSE WITHOUT THEIR WRITTEN PERMISSION.

TOLERANCES
X = ±1mm
X.X = ±0.25mm
X.XX = ±0.10mm
X.XXX = ±0.01mm
ANGLES = ±5°
UNLESS STATED

MATERIAL:
SEE ABOVE
FINISH: SEE ABOVE
S/AREA: mm²

TITLE:
1.27mm JUMPER SOCKET
(WITH HANDLE)
DRAWING NUMBER:
M50-20X0005
SHT 2 OF 2