

# Customer Information Sheet

DRAWING No.: M50-360XX42P

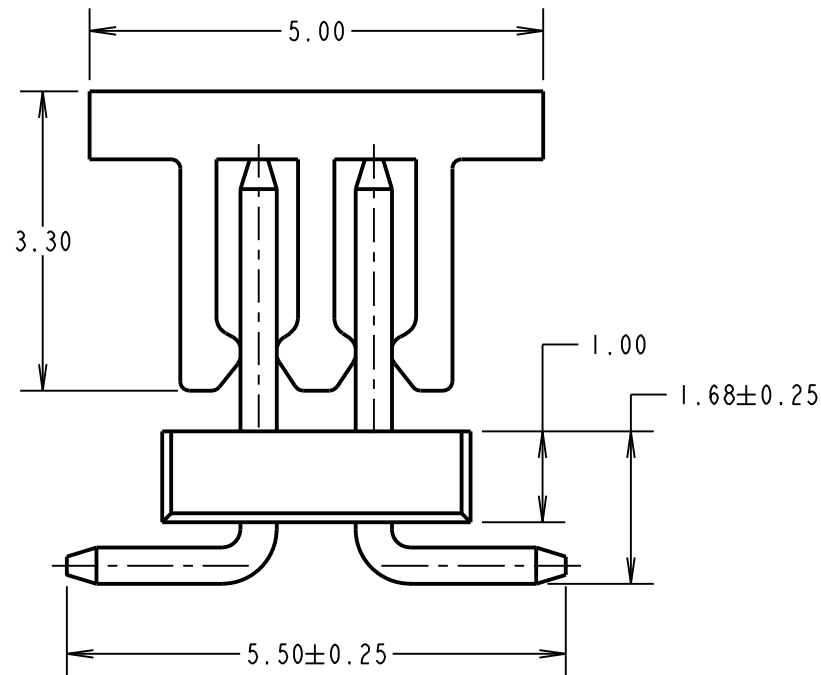
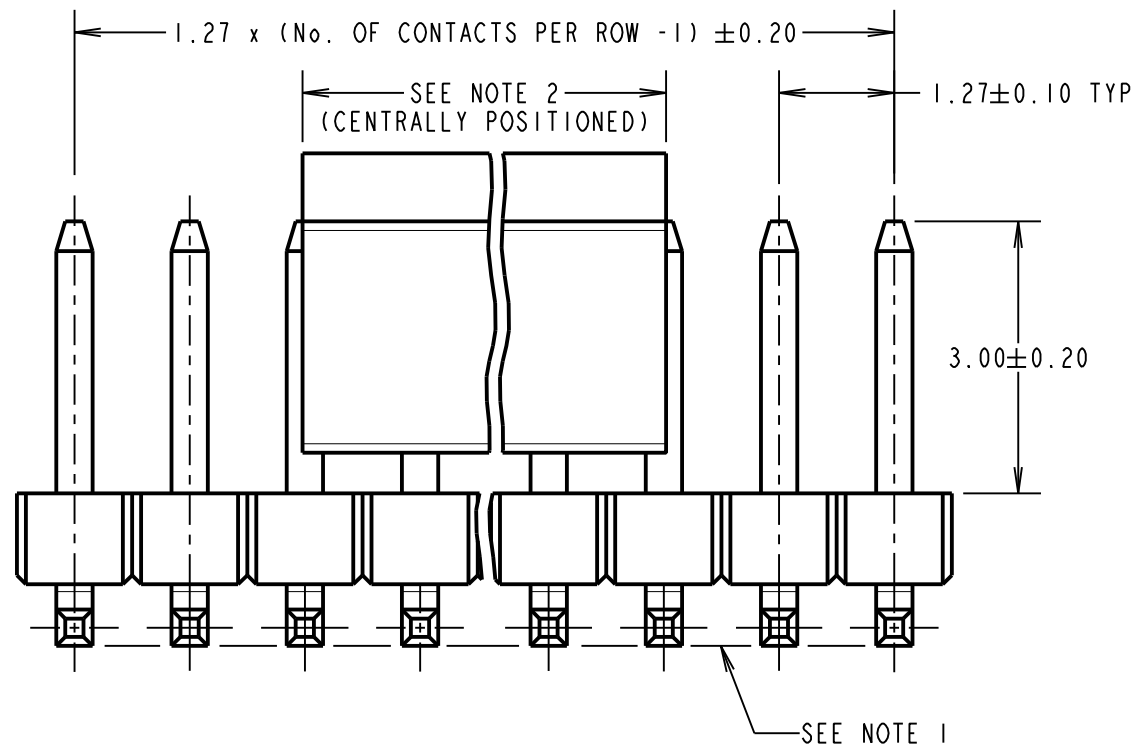
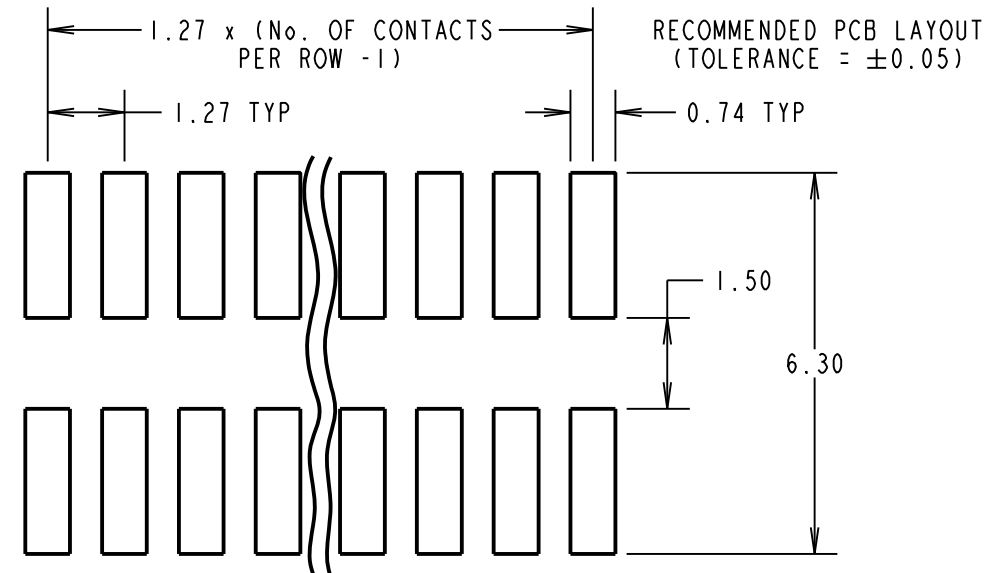
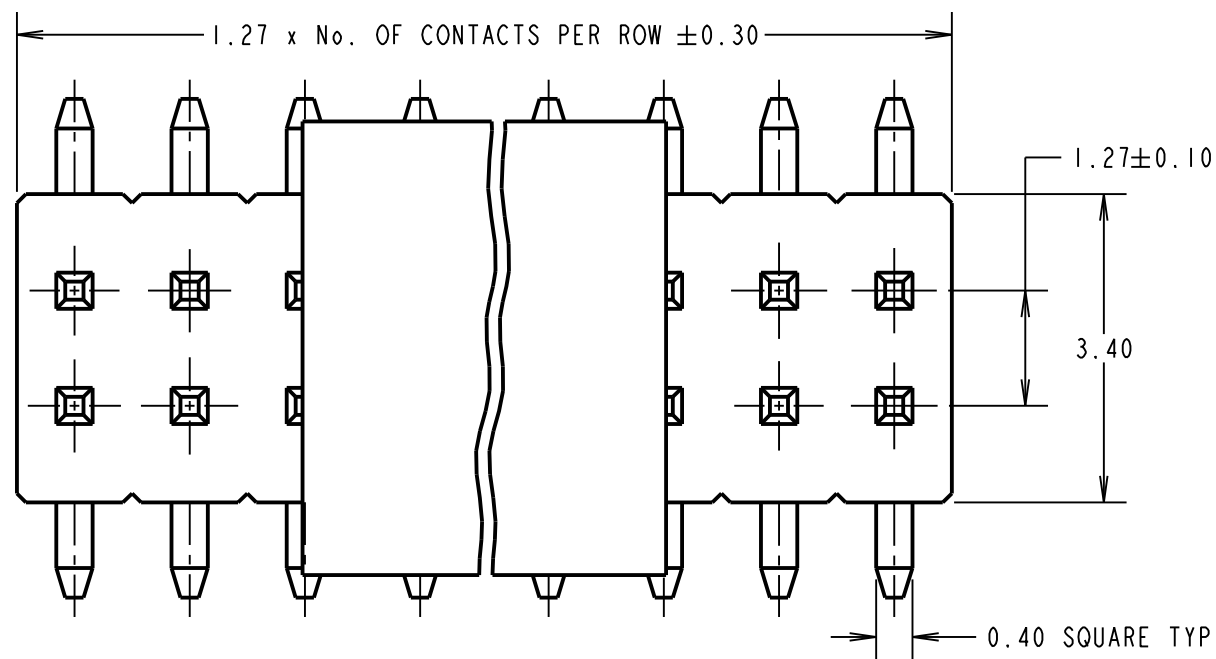
IF IN DOUBT - ASK

©

NOT TO SCALE

THIRD ANGLE PROJECTION

ALL DIMENSIONS IN mm



**SPECIFICATIONS:**

**MATERIAL:**  
 MOULDING = HIGH TEMP THERMOPLASTIC,  
 UL94V-0, BLACK  
**CONTACTS = COPPER ALLOY**  
**FINISH:**  
 CONTACTS = 0.70 TO 1.30 $\mu$  NICKEL ALL OVER,  
 0.08 TO 0.15 $\mu$  GOLD ON CONTACT AREA,  
 2.50 TO 3.00 $\mu$  100% TIN ON TAILS

**ELECTRICAL:**  
 CURRENT RATING = 1A  
 CONTACT RESISTANCE = 20m $\Omega$  MAX  
 INSULATION RESISTANCE = 1000M $\Omega$  MIN  
 DIELECTRIC WITHSTANDING = 1000V AC FOR  
 ONE MINUTE

**MECHANICAL:**  
 DURABILITY = 300 CYCLES MIN  
**ENVIRONMENTAL:**  
 TEMPERATURE RANGE = -40°C TO +105°C

**PACKING:**  
 BOX  
 FOR COMPLETE SPECIFICATION, SEE COMPONENT  
 SPECIFICATION C029XX (LATEST ISSUE)

**NOTES:**

- CO-PLANARITY OF TAILS FOR 02 TO 30 CONTACTS PER ROW = 0.15mm,  
 31 TO 50 CONTACTS PER ROW = 0.20mm.
- PICK AND PLACE CAP LENGTH = 3.60mm FOR 02 TO 05 CONTACTS PER ROW,  
 6.40mm FOR 06 TO 50 CONTACTS PER ROW.
- ALL TOLERANCES ARE  $\pm 0.15$ , UNLESS OTHERWISE STATED.

ORDER CODE:

**M50-360XX42P**

No. OF CONTACTS PER ROW: \_\_\_\_\_  
 02 TO 50

FINISH: \_\_\_\_\_  
 42 = SELECTIVE GOLD & 100% TIN OVER NICKEL

SB	8	19.03.13	11904
NAME	ISS.	DATE	C/NOTE
APPROVED:		S.BENNETT	
CHECKED:		S.FLOWER	
DRAWN:		J.M.BROOKES	
CUSTOMER REF.:			
ASSEMBLY DRG:			

 www.harwin.com technical@harwin.com	THIS DRAWING AND ANY INFORMATION OR DESCRIPTIVE MATTER SET OUT HEREON ARE CONFIDENTIAL AND COPYRIGHT PROPERTY OF THE HARWIN GROUP AND MUST NOT BE DISCLOSED, LOANED, COPIED OR USED FOR MANUFACTURING, TENDERING OR FOR ANY OTHER PURPOSE WITHOUT THEIR WRITTEN PERMISSION.	TOLERANCES X = $\pm 1$ mm X.X = $\pm 0.25$ mm X.XX = $\pm 0.10$ mm X.XXX = $\pm 0.01$ mm ANGLES = $\pm 5^\circ$ UNLESS STATED	MATERIAL: SEE ABOVE FINISH: SEE ABOVE S/AREA: mm <sup>2</sup>	TITLE: 1.27mm PITCH DIL VERTICAL SMT PIN HEADER (WITH PICK & PLACE CAP) DRAWING NUMBER: <b>M50-360XX42P</b>	SHT 2 OF 2
		ASSEMBLY DRG:			