

# Customer Information Sheet

DRAWING No.: M80-835XXXX

SHEET 2 OF 2

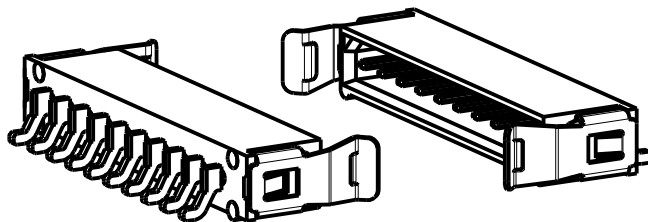
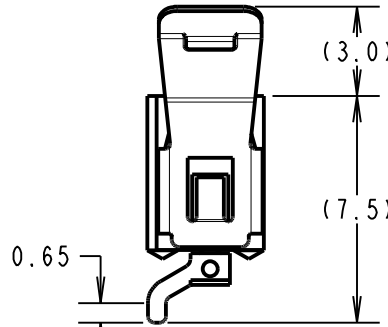
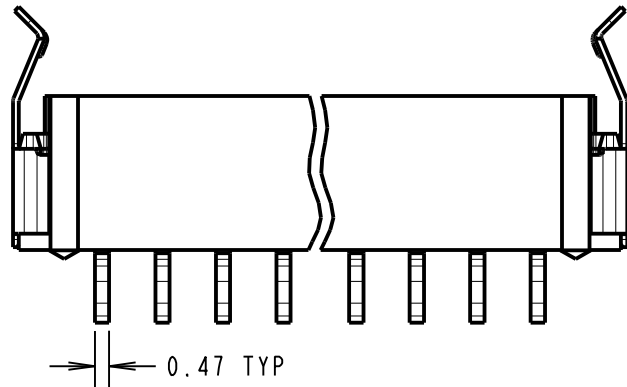
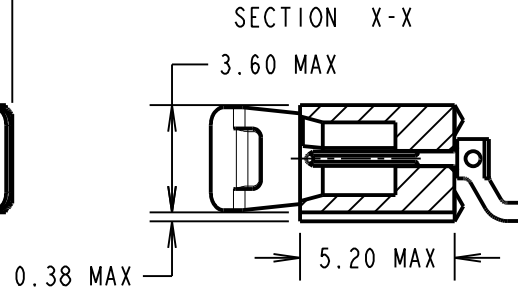
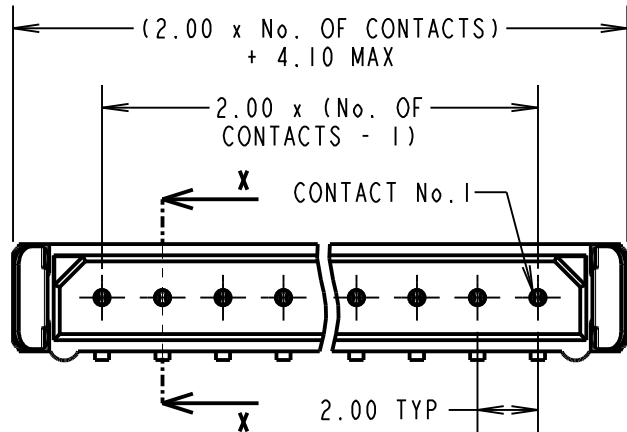
IF IN DOUBT - ASK

©

NOT TO SCALE

THIRD ANGLE PROJECTION

ALL DIMENSIONS IN mm



**ORDER CODE:**  
**M80-835XXXX**

No. OF CONTACTS \_\_\_\_\_  
 02 - 07, 17, 22

FINISH \_\_\_\_\_  
 22 - GOLD, 90/10 TIN/LEAD  
 42 - GOLD, 100% TIN  
 45 - GOLD

**SPECIFICATIONS:**

**MATERIAL:**  
 Moulding = GLASS-FILLED PPS, UL94V-0, BLACK  
 CONTACT = COPPER ALLOY

**FINISH:**  
**CONTACT:**  
 22 = 0.75µ GOLD ON CONTACT AREA,  
 0.3µ 90/10 TIN/LEAD ON TAILS  
 42 = 0.75µ GOLD ON CONTACT AREA,  
 0.3µ 100% TIN OVER NICKEL ON TAILS  
 45 - 0.75µ GOLD

LATCH = NICKEL

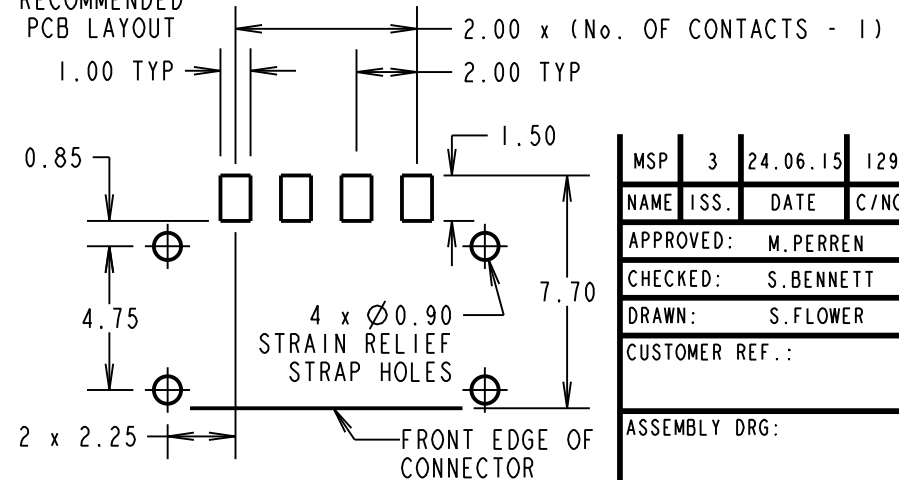
**ELECTRICAL:**  
 CURRENT RATING AT 25°C = 3.0A MAX  
 CURRENT RATING AT 85°C = 2.2A MAX  
 WORKING VOLTAGE = 800V AC/DC  
 VOLTAGE PROOF = 1200V AC/DC  
 CONTACT RESISTANCE = 25mΩ MAX  
 INSULATION RESISTANCE = 100MΩ MIN

**MECHANICAL:**  
 DURABILITY = 500 OPERATIONS

**ENVIRONMENTAL:**  
 TEMPERATURE RANGE = -55°C TO +125°C

**PACKING:**  
 TUBE, 2-OFF STRAIN RELIEF STRAPS PER CONNECTOR IN BAG  
 FOR COMPLETE SPECIFICATION, SEE COMPONENT  
 SPECIFICATION C005XX (LATEST ISSUE)

**RECOMMENDED  
 PCB LAYOUT**



|                |      |           |        |
|----------------|------|-----------|--------|
| MSP            | 3    | 24.06.15  | 12973  |
| NAME           | ISS. | DATE      | C/NOTE |
| APPROVED:      |      | M.PERREN  |        |
| CHECKED:       |      | S.BENNETT |        |
| DRAWN:         |      | S.FLOWER  |        |
| CUSTOMER REF.: |      |           |        |
| ASSEMBLY DRG:  |      |           |        |

**HARWIN**

www.harwin.com  
 technical@harwin.com

THIS DRAWING AND ANY INFORMATION OR DESCRIPTIVE MATTER SET OUT HEREON ARE CONFIDENTIAL AND COPYRIGHT PROPERTY OF THE HARWIN GROUP AND MUST NOT BE DISCLOSED, LOANED, COPIED OR USED FOR MANUFACTURING, TENDERING OR FOR ANY OTHER PURPOSE WITHOUT THEIR WRITTEN PERMISSION.

**TOLERANCES**  
 X. = ±1mm  
 X.X = ±0.50mm  
 X.XX = ±0.10mm  
 X.XXX = ±0.01mm

ANGLES = ±5°  
 UNLESS STATED

**MATERIAL:**  
 SEE ABOVE

**FINISH:** SEE ABOVE

**S/AREA:** mm<sup>2</sup>

**TITLE:** DATAMATE L-TEK  
 MALE SIL HORIZONTAL SMT  
 ASSEMBLY (FRICTION LATCH)

**DRAWING NUMBER:**  
**M80-835XXXX**

SHT  
 2 OF 2