

Customer Information Sheet

DRAWING No.: P19-XX21

SHEET 2 OF 2

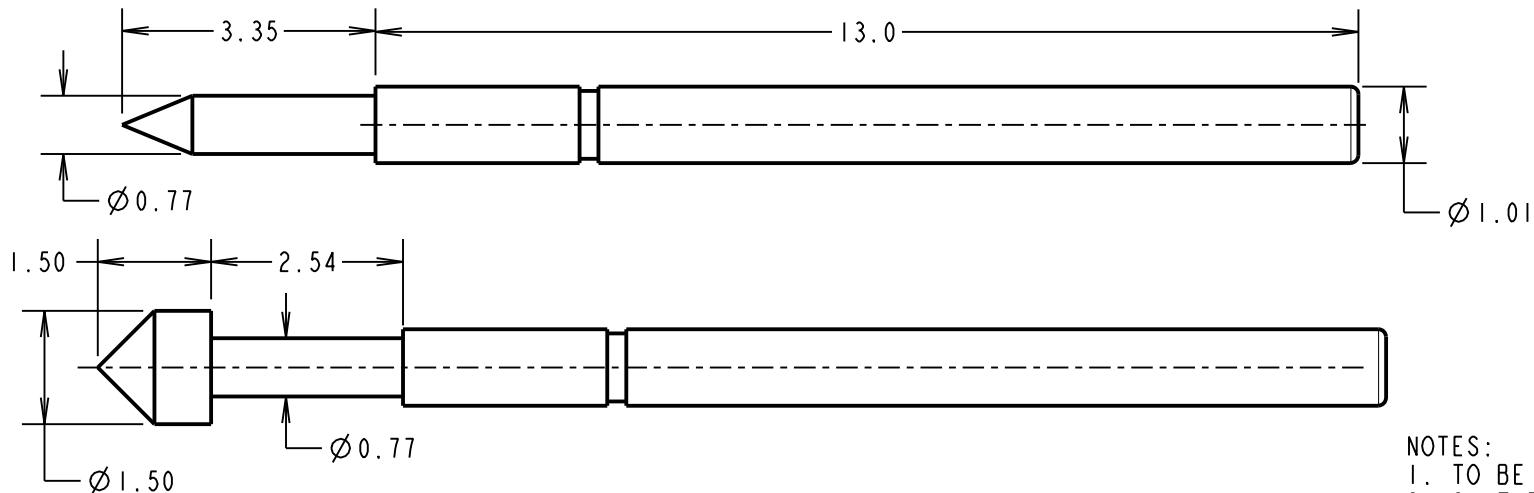
IF IN DOUBT - ASK

©

NOT TO SCALE

THIRD ANGLE PROJECTION

ALL DIMENSIONS IN mm

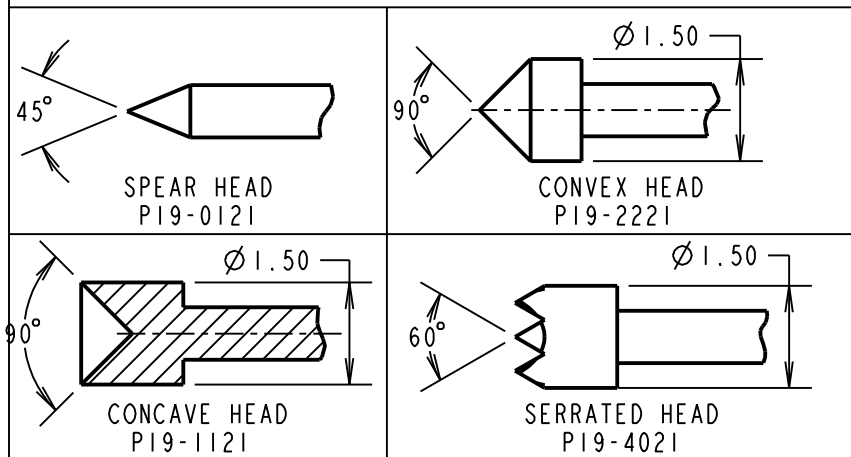


ORDER CODE:
P19-XX21
PROBE HEAD
VARIANT (SEE BELOW)

NOTES:

1. TO BE USED WITH SLEEVE S19-501.
2. SUITABLE FOR A MINIMUM DISTANCE BETWEEN CENTRES OF 1.90mm.

PROBE HEAD VARIANTS



SPECIFICATIONS:

MATERIAL:

- PLUNGER = HEAT TREATED BERYLLIUM COPPER
- BARREL = PHOSPHOR BRONZE
- SPRING = STAINLESS STEEL

FINISH:

- PLUNGER AND BARREL = GOLD

ELECTRICAL:

- CURRENT RATING = 3A
- CONTACT RESISTANCE = 30 MILLIOHMS

MECHANICAL:

- DURABILITY = 1,000,000 CYCLES
- FULL TRAVEL = 2.54mm

SPRING FORCES:

- AT FULL TRAVEL = 1.26N ± 0.25N (128g ± 20%)
- AT 2/3 TRAVEL = 0.88N ± 0.18N (90g ± 20%)

ENVIRONMENTAL:

- OPERATING TEMPERATURE = -40°C TO +85°C

SM	5	09.03.11	11173
NAME	ISS.	DATE	C/NOTE
APPROVED: S. MCCULLAGH			
CHECKED:		R. ADDE	
DRAWN:		W. J. BOURNE	
CUSTOMER REF.:			
ASSEMBLY DRG:			

HARWIN

HARWIN USA
TEL: 603 893 5376
FAX: 603 893 5396
mis@harwin.com

HARWIN Europe (UK)
TEL: 023 9231 4545
FAX: 023 9231 4590
mis@harwin.co.uk

HARWIN Asia
TEL: +65 6 779 4909
FAX: +65 6 779 3868
mis@harwin.com.sg

THIS DRAWING AND ANY INFORMATION OR DESCRIPTIVE MATTER SET OUT HEREON ARE CONFIDENTIAL AND COPYRIGHT PROPERTY OF THE HARWIN GROUP AND MUST NOT BE DISCLOSED, LOANED, COPIED OR USED FOR MANUFACTURING, TENDERING OR FOR ANY OTHER PURPOSE WITHOUT THEIR WRITTEN PERMISSION.

TOLERANCES

- X. = ±1mm
- X.X = ±0.25mm
- X.XX = ±0.10mm
- X.XXX = ±0.01mm

ANGLES = ±5°
UNLESS STATED

MATERIAL:

SEE ABOVE

FINISH: SEE ABOVE

S/AREA: mm²

TITLE:

1.90mm MIN. CENTRE
TWO-PIECE SPRING PROBE

DRAWING NUMBER:

P19-XX21

SHT
2 OF
2