

Customer Information Sheet

DRAWING No.: R83-101XX02

SHEET 2 OF 2

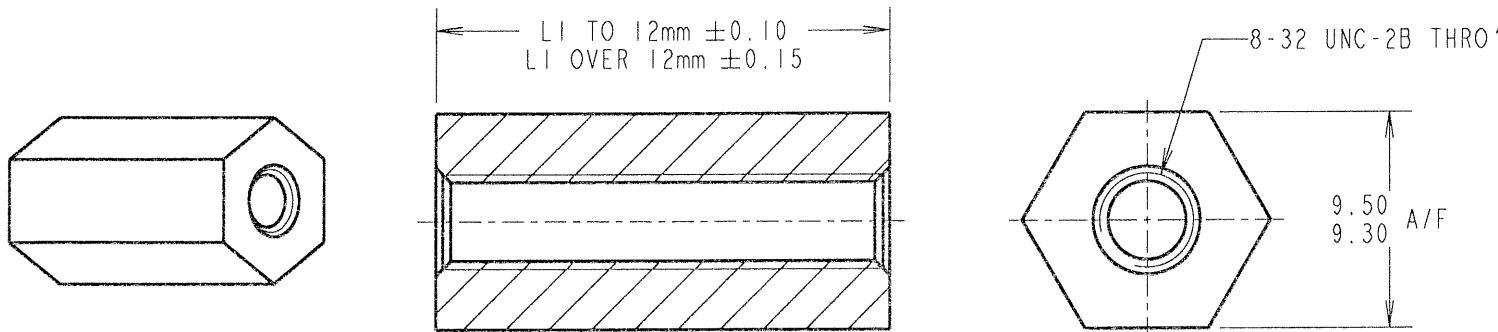
IF IN DOUBT - ASK

(C)

NOT TO SCALE

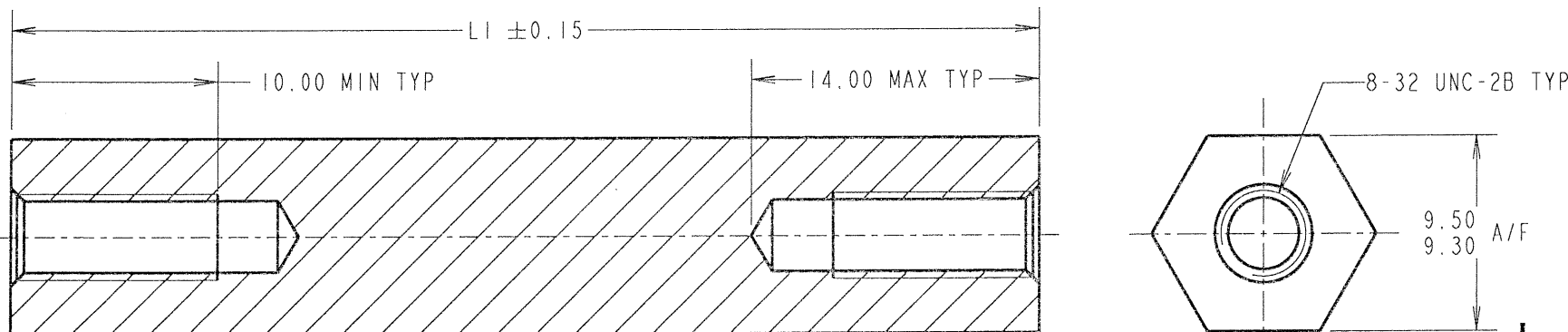
THIRD ANGLE PROJECTION

ALL DIMENSIONS IN mm



ALL SPACERS UP TO & INCLUDING 28mm

22 TO 28mm SPACERS DO NOT HAVE A THROUGH TAPPED HOLE, BUT HAVE A MINIMUM THREAD LENGTH OF 10mm FROM BOTH ENDS.



ALL SPACERS OVER 28mm

PART No.	LI
R83-1010602	6.00
R83-1010902	9.00
R83-1011002	10.00
R83-1011202	12.00
R83-1011302	13.00

PART No.	LI
R83-1011502	15.00
R83-1011602	16.00
R83-1011902	19.00
R83-1012202	22.00
R83-1012302	23.00

PART No.	LI
R83-1012502	25.00
R83-1013002	30.00
R83-1013502	35.00
R83-1014502	45.00
R83-1015002	50.00

ORDER CODE:
R83-101XX02
LENGTH LI IN mm

JMB	2	15.10.06	9512
NAME	ISS.	DATE	C/NOTE
APPROVED: <i>JMB</i>			
CHECKED: <i>NBC</i>			
DRAWN: WJ BOURNE			
CUSTOMER REF.:			
ASSEMBLY DRG:			

HARWIN

THIS DRAWING AND ANY INFORMATION OR DESCRIPTIVE MATTER SET OUT HEREON ARE CONFIDENTIAL AND COPYRIGHT PROPERTY OF THE HARWIN GROUP AND MUST NOT BE DISCLOSED, LOANED, COPIED OR USED FOR MANUFACTURING, TENDERING OR FOR ANY OTHER PURPOSE WITHOUT THEIR WRITTEN PERMISSION.

TOLERANCES
X. = ± 1 mm
X.X = ± 0.25 mm
X.XX = ± 0.10 mm
X.XXX = ± 0.01 mm
ANGLES = $\pm 5^\circ$
UNLESS STATED

MATERIAL: BRASS
CW614N M TO BS EN 12164
(CuZn39Pb3)
FINISH: NICKEL
S/AREA: mm²

TITLE: 8-32 UNC HEXAGONAL FEMALE SPACER

DRAWING NUMBER: R83-101XX02

SHT 2 OF 2

HARWIN INC U.S.A. TEL: (812) 542 2540 FAX: (812) 542 2541	HARWIN PLC U.K. TEL: 023 9231 4545 FAX: 023 9231 4590	HARWIN PTE SINGAPORE TEL: 65 6779 4909 FAX: 65 6779 3868
--	--	---