

Customer Information Sheet

DRAWING No.: S1731-XXR

SHEET 2 OF 2

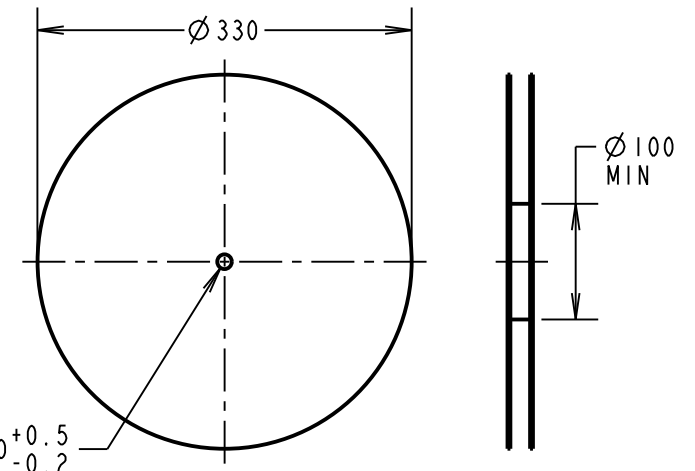
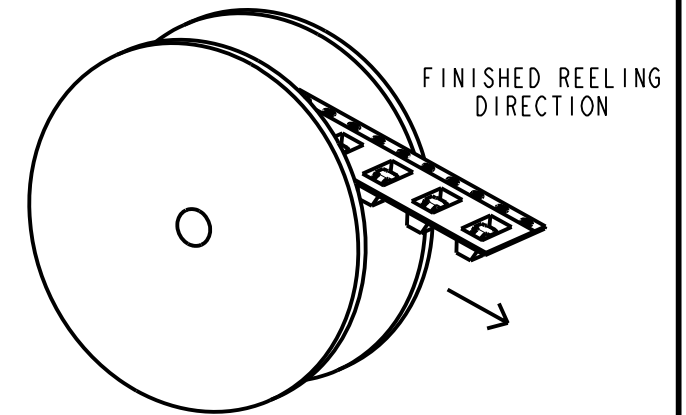
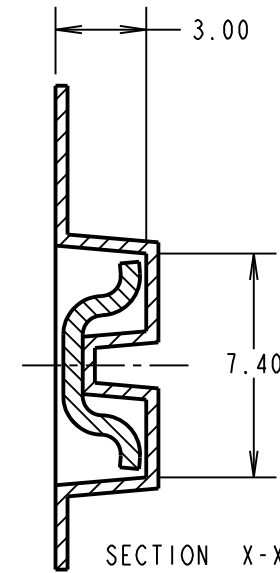
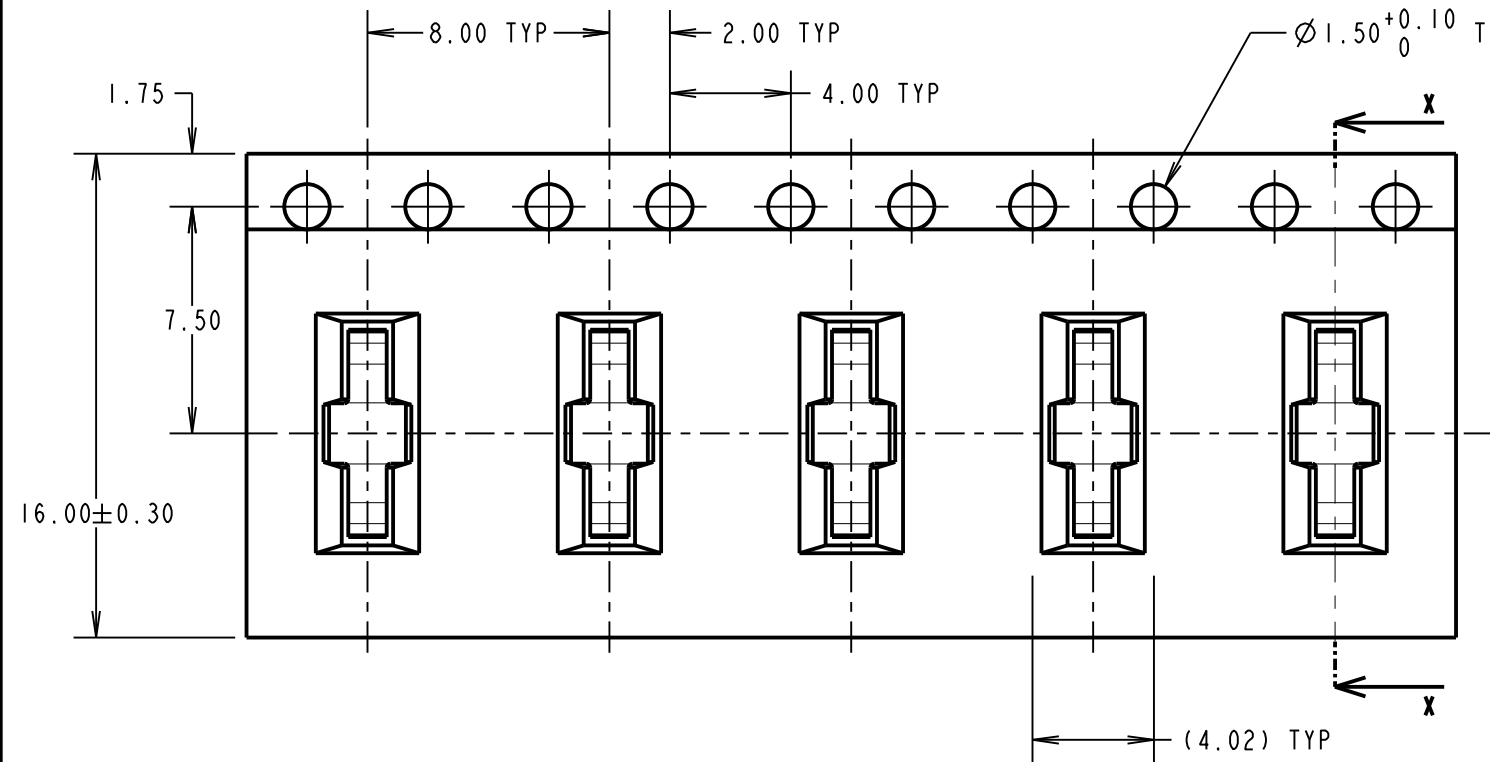
IF IN DOUBT - ASK

©

NOT TO SCALE

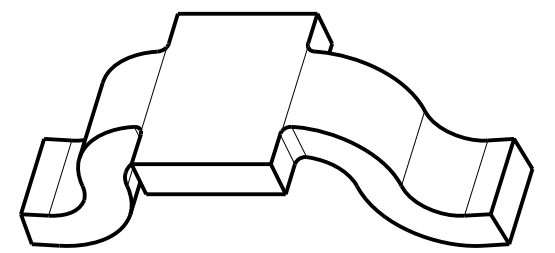
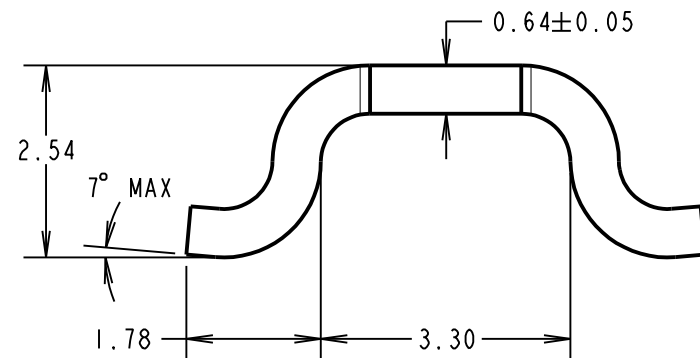
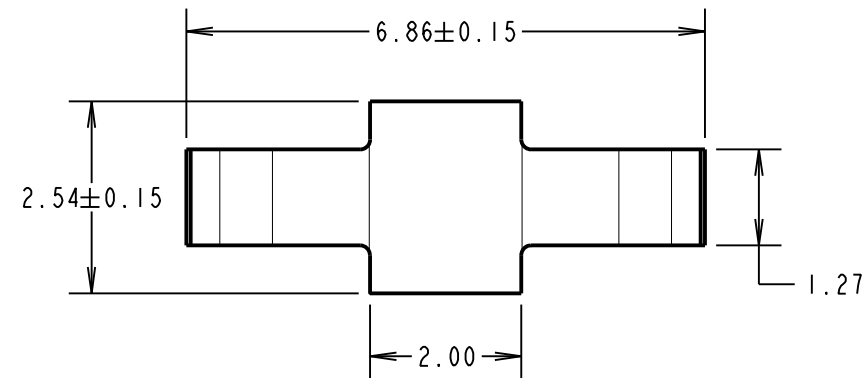
THIRD ANGLE PROJECTION

ALL DIMENSIONS IN mm

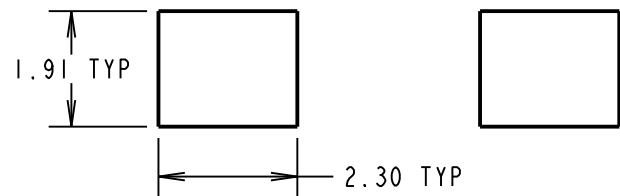
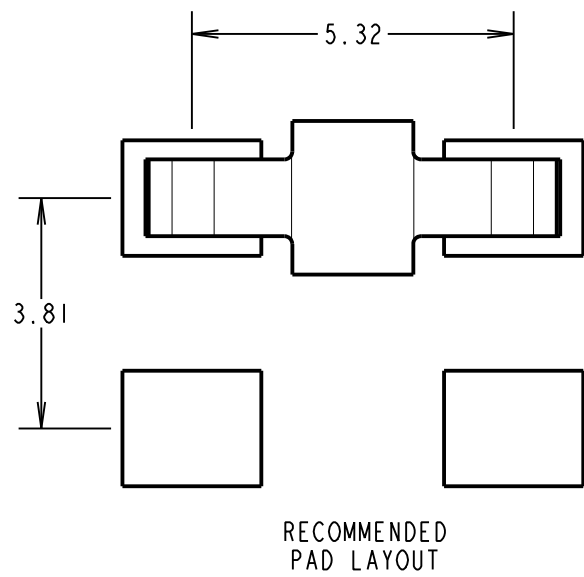


- NOTES:
 1. QUANTITY PER REEL = 2,500.
 2. THIS PRODUCT IS TAPED AND REELED IN ACCORDANCE WITH EIA-481 (ELECTRONIC INDUSTRIES ASSOCIATION).
 3. FOR LOOSE PART, SEE DRAWING S1731-XX.

SINGLE COMPONENT DIMENSIONS



COMPONENT SPECIFICATION:
 MATERIAL = CW004A ETP COPPER
 FINISH:
 06 = 3µ 90/10 TIN/LEAD
 46 = 3µ 100% TIN OVER NICKEL
 CURRENT RATING = 10A (30°C TEMP RISE)
 CONTACT RESISTANCE = 20mΩ MAX



ORDER CODE:
S1731-XX
 FINISH:
 06 - 3µ 90/10 TIN LEAD OVER NICKEL
 46 - 3µ 100% TIN OVER NICKEL

SB	5	19.05.15	12931
NAME	ISS.	DATE	C/NOTE
APPROVED:	S.BENNETT		
CHECKED:	M.PLESTED		
DRAWN:	M. G. PLESTED		
CUSTOMER REF.:			
ASSEMBLY DRG:			

 www.harwin.com technical@harwin.com	THIS DRAWING AND ANY INFORMATION OR DESCRIPTIVE MATTER SET OUT HEREON ARE CONFIDENTIAL AND COPYRIGHT PROPERTY OF THE HARWIN GROUP AND MUST NOT BE DISCLOSED, LOANED, COPIED OR USED FOR MANUFACTURING, TENDERING OR FOR ANY OTHER PURPOSE WITHOUT THEIR WRITTEN PERMISSION.	TOLERANCES X. = ±1mm X.X = ±0.50mm X.XX = ±0.10mm X.XXX = ±0.01mm ANGLES = ±5° UNLESS STATED	MATERIAL:	TITLE:
			SEE ABOVE	POWER SMT JUMPER LINK (TAPE AND REELED)
		FINISH:	DRAWING NUMBER:	SHT 2 OF 2
		SEE ABOVE	S1731-XXR	
		S/AREA:	mm ²	