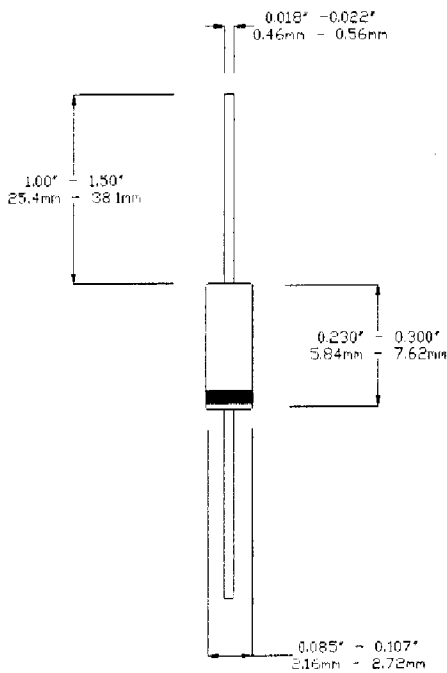


1N3064

FEATURES

- 1N3064
- SWITCHING DIODE
- METALLURGICALLY BONDED
- HERMETICALLY SEALED
- DOUBLE PLUG CONSTRUCTION



MAXIMUM RATINGS AT 25 °C

Operating Temperature:	-55°C to +175°C
Storage Temperature:	-55°C to +175°C
Surge Current, Sine, I _S :	2.0A
Total Power Dissipation:	500mW
Operating Current:	75mA, T _A = +25°C
Derating Factor:	0.5mA/°C above T _A = +25°C
D.C. Reverse Voltage (VRWM):	50V

DC ELECTRICAL CHARACTERISTICS

Ambient (°C)	V _F			I _R			V _{BR}				
	I _F mA	Min V	Max V	Ambient (°C)	V (dc)	Min μA	Max μA	Ambient (°C)	I _R μA	Min V	Max V
25	10	-	1.0	25	50	-	0.1	25	5	75	-
150	10	-	0.7	150	50	-	100	-55	10	75	-

DESIGN DATA

Case: Hermetically sealed glass package per MIL-PRF-19500/144 DO-7 outline
Lead Material: Copper clad steel
Lead Finish: Tin/Lead
Thermal Resistance (R_{θJL}): 250°C/W maximum at L=0.375"
Thermal Impedance (Z_{θJX}): 70°C/W maximum
Marking: Alpha numeric.
Polarity: Cathode end is banded.

AC ELECTRICAL CHARACTERISTICS AT 25°C

	Symbol	Min	Max
Capacitance @ 0V	pF	-	2.0
T _{RR} @ I _F =I _R =10mA, I _{Rec} =1mA.	nsec	-	4.0
T _{FR} @ IF = 100mA	nsec	-	30
V _{FR} @ IF = 100mA	V(pk)	-	5

