

inspired **LED**

Motion Sensor Control



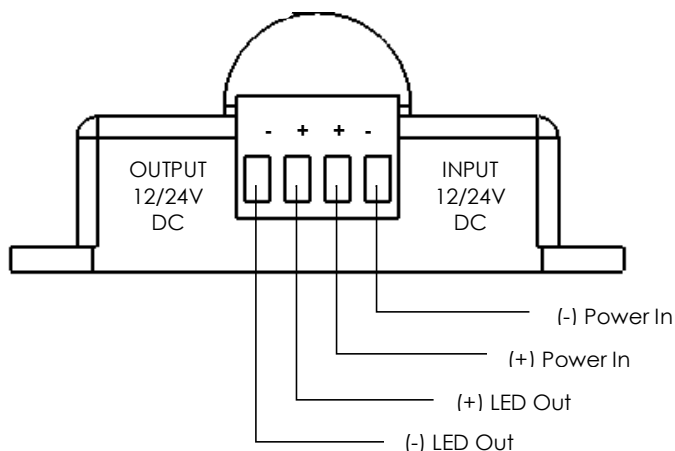
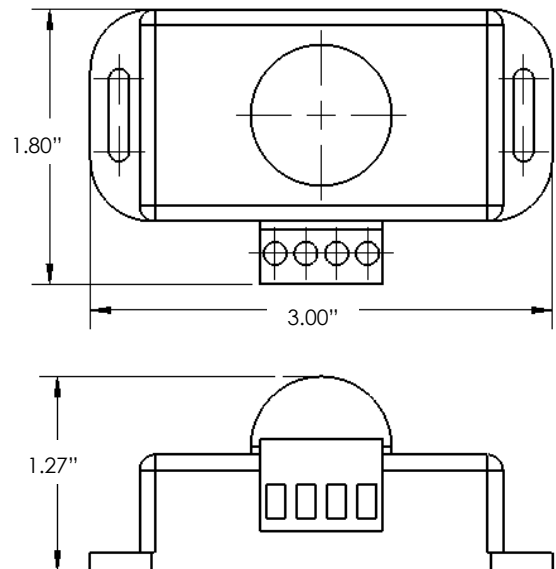
Inspired LED's **Motion Sensor** is a convenient accessory which easily combines with Inspired LED flex strips and panels to create the perfect low-voltage lighting system for any home or business. Ideal for cabinets, closets, and drawers, this unique device allows LEDs to be turned on and off in response to the motion of opening or closing of a door!

Product Features:

Low profile design fits easily in small spaces
Adjustable time of delay for auto-off function
Compatible with Inspired LED products
Easy screw mount install

Specifications:

Net Weight- 32 grams
Max Load- 6 AMPS
Sensor Range- 8 meters
Working Temperature- (-20°) to (60°) C
12-24VDC screw terminal input/output



Instructions:

1. Secure LED lights in place according to their instructions
2. Strip ends of wire leading to LED lights
Note for Inspired LED Cables: white lettering indicates (+) side of wire
3. Match (+) and (-) polarity of wires to polarity of output screw terminals
4. Loosen output screw connections, insert wires, tighten screws to secure in place
5. Strip ends of wire leading to power source, match (+) and (-) polarity of wires to polarity of input screw terminal
6. Loosen input screw connections, insert wires, tighten screws to secure in place
7. Connect power source to test motion sensor
8. To adjust time of delay, insert screw driver into control dial located on the back of the device. Turn clockwise to increase length of time lights remain on, turn counterclockwise to decrease the time lights remain on before auto-off.

