

NOTES:

1. MATERIAL:

HOUSING: LIQUID CRYSTAL POLYMER (LCP), GLASS-FILLED, UL94V-0,
COLOR: BLACK

TERMINALS: BRASS

2. FINISH:

TERMINAL: 0.76 MICROMETERS/30 MICROINCHES MINIMUM SELECTIVE GOLD
IN CONTACT AREA; 1.27 MICROMETERS/50 MICROINCHES MINIMUM
SELECTIVE TIN IN THE PC TAIL AREA; NICKEL UNDERPLATE OVERALL.

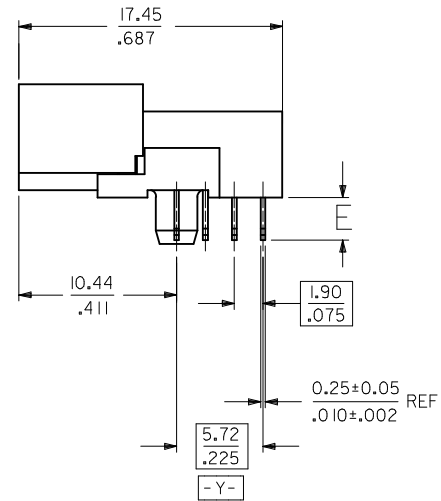
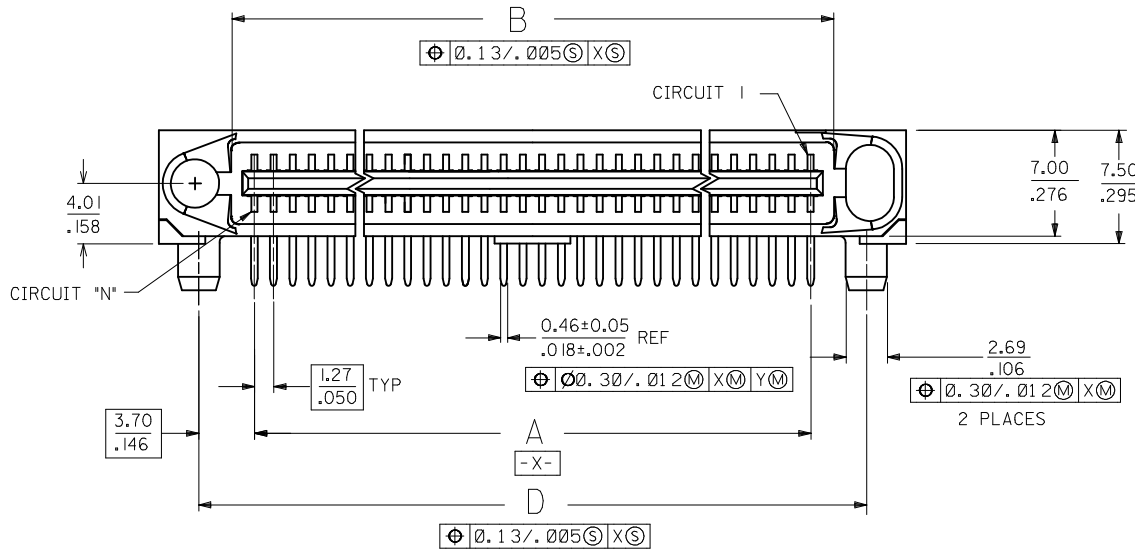
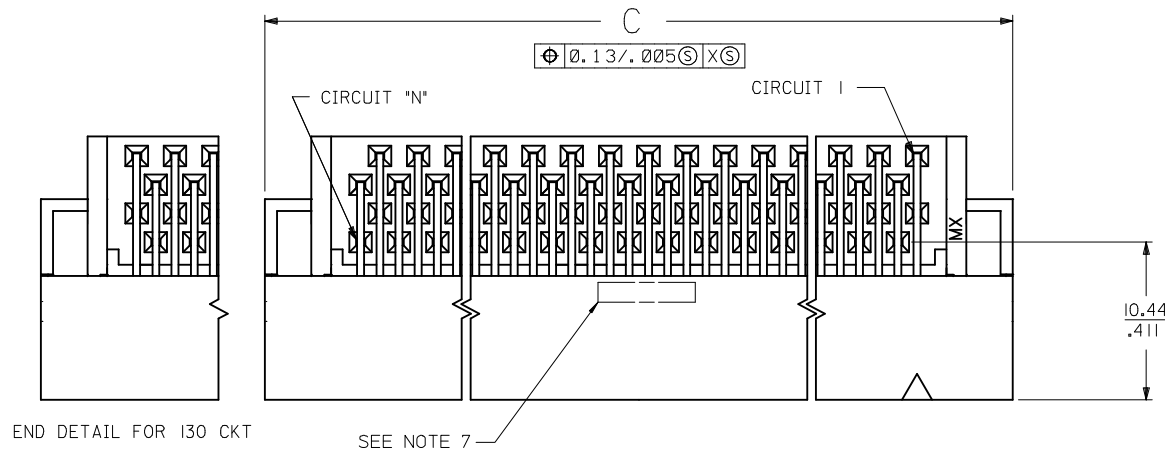
3. CONFORMS TO PRODUCT SPEC: PS-71660

4. PRODUCT PACKAGED PER PK-70873-084*

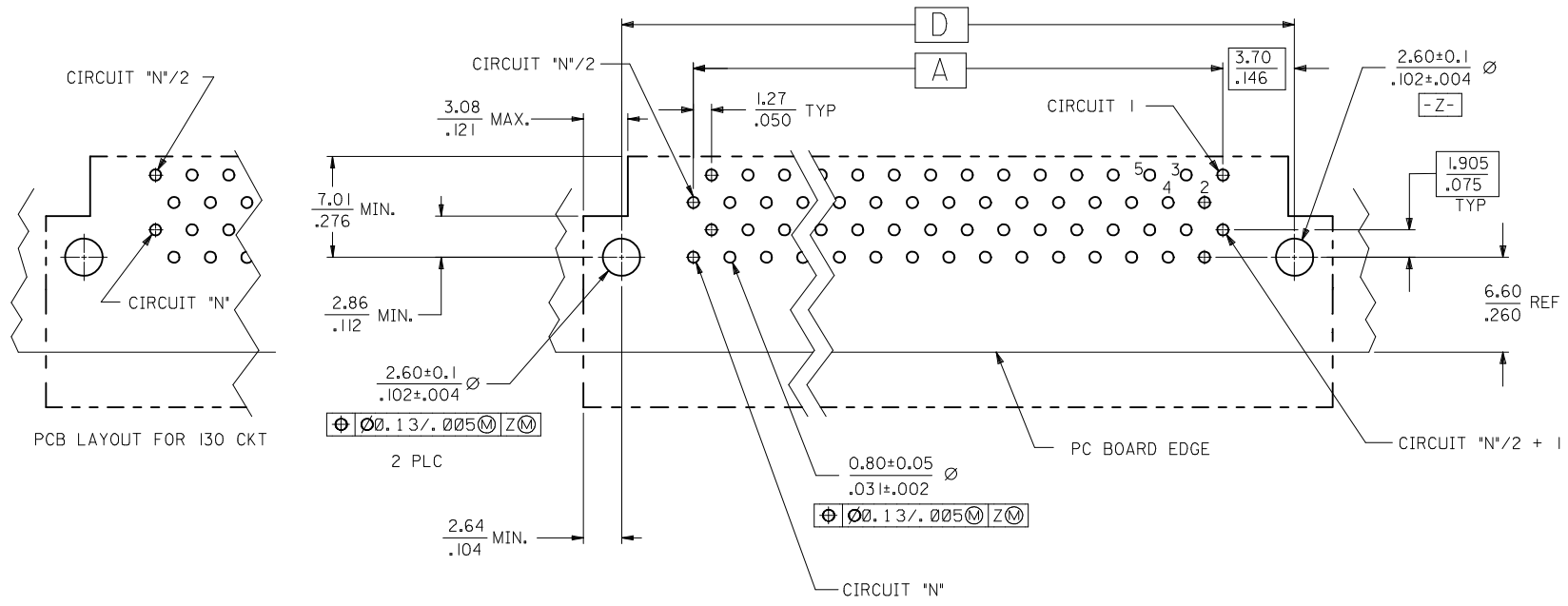
5. ASSEMBLY MATES WITH MOLEX P/N SDA-71660-7***

6. RECOMMENDED PC BOARD THICKNESS IS 1.6 MM/0.062 IN

7. FOUR DIGIT DATE CODE (WK.YR.) EXAMPLE 26 96 LOCATED IN AREA SHOWN

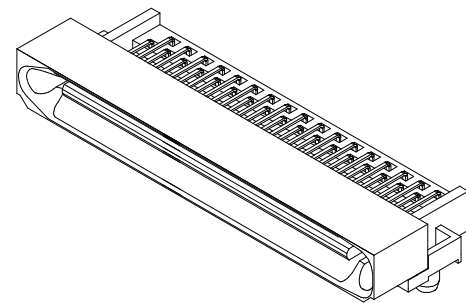


CHANGE MATERIAL EC NO: UCP2009-1254 DRWN:MSIBARRA 2008/12/19 CHKD:BSMART 2009/01/06 APPR:SMILLER 2009/01/06	QUALITY SYMBOLS ▽=0 ▽=0	GENERAL TOLERANCES (UNLESS SPECIFIED)	DIMENSION STYLE		SCALE	DESIGN UNITS	THIRD ANGLE PROJECTION
			mm	INCH	4:1	INCH	
K	DESCRIPTION	DRAFT WHERE APPLICABLE MUST REMAIN WITHIN DIMENSIONS	DRAWN BY		DATE		SALES ASSMBLY EBBI 50D RIGHT ANGLE BLIND MATE PLUG
			RAN		1995/04/26		
K	DESCRIPTION	DRAFT WHERE APPLICABLE MUST REMAIN WITHIN DIMENSIONS	CHECKED BY		DATE		MOLEX INCORPORATED
			RAN		1995/04/26		
K	DESCRIPTION	DRAFT WHERE APPLICABLE MUST REMAIN WITHIN DIMENSIONS	APPROVED BY		DATE		MATERIAL NO. SDA-71661-25**
			CAB		1995/04/26		
REV		SIZE		DOCUMENT NO.		SHEET NO.	
		C		SEE TABLE		1 OF 2	
THIS DRAWING CONTAINS INFORMATION THAT IS PROPRIETARY TO MOLEX INCORPORATED AND SHOULD NOT BE USED WITHOUT WRITTEN PERMISSION							



RECOMMENDED PC BOARD LAYOUT
COMPONENT SIDE
SEE NOTE 6

3.491 (88.67)	3.699 (93.95)	3.320 (84.33)	3.200 (81.28)	.110 (2.79)	130	71661-2513
2.741 (69.63)	2.949 (74.90)	2.570 (65.28)	2.450 (62.23)	.110 (2.79)	100	71661-2511
2.241 (56.92)	2.449 (62.20)	2.070 (52.586)	1.950 (49.53)	.110 (2.79)	80	71661-2580
1.941 (49.31)	2.149 (54.58)	1.770 (44.96)	1.650 (41.91)	.110 (2.79)	68	71661-2568
1.941 (49.31)	2.149 (54.58)	1.770 (44.96)	1.650 (41.91)	.125 (3.18)	68	71661-2518
1.241 (31.53)	1.449 (36.80)	1.070 (27.18)	.950 (24.13)	.110 (2.79)	40	71661-2540
D	C	B	A	E	CKT (*N)	ITEM NUMBER



68 CIRCUIT ASSEMBLY SHOWN
SCALE 2:1

UPDATE REV LEVEL EC NO: UCP2009-1254 DRWN:MS BARRA 2008/12/19 CHKD:BSMART 2009/01/06 APPR:SMILLER 2009/01/06	QUALITY SYMBOLS ▽=0 ▽=0	GENERAL TOLERANCES (UNLESS SPECIFIED)		DIMENSION STYLE MM/IN	SCALE 4:1	DESIGN UNITS INCH	THIRD ANGLE PROJECTION	
		mm	INCH	DRAWN BY RAN	DATE 1995/04/26	TITLE SALES ASSMBLY EBBI 50D RIGHT ANGLE BLIND MATE PLUG		
		4 PLACES ± --- ± ---	3 PLACES ± --- ± .010	CHECKED BY RAN	DATE 1995/04/26	molex MOLEX INCORPORATED		
		2 PLACES ± 0.25 ± ---	1 PLACE ± --- ± ---	APPROVED BY CAB	DATE 1995/04/26	MATERIAL NO. SEE TABLE	DOCUMENT NO. SDA-71661-25**	SHEET NO. 2 OF 2
DRAFT WHERE APPLICABLE MUST REMAIN WITHIN DIMENSIONS		ANGULAR ±1/2°		THIS DRAWING CONTAINS INFORMATION THAT IS PROPRIETARY TO MOLEX INCORPORATED AND SHOULD NOT BE USED WITHOUT WRITTEN PERMISSION				