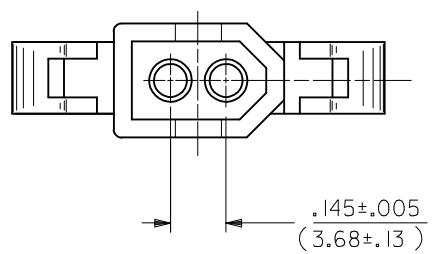
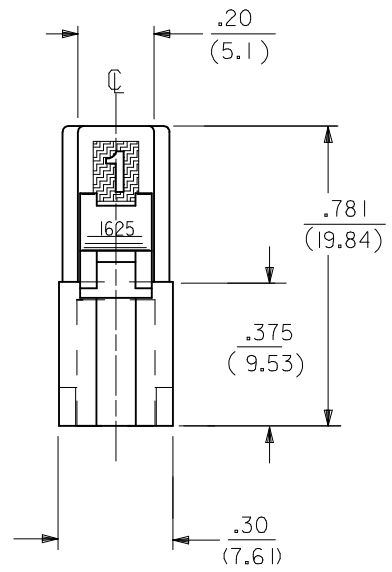
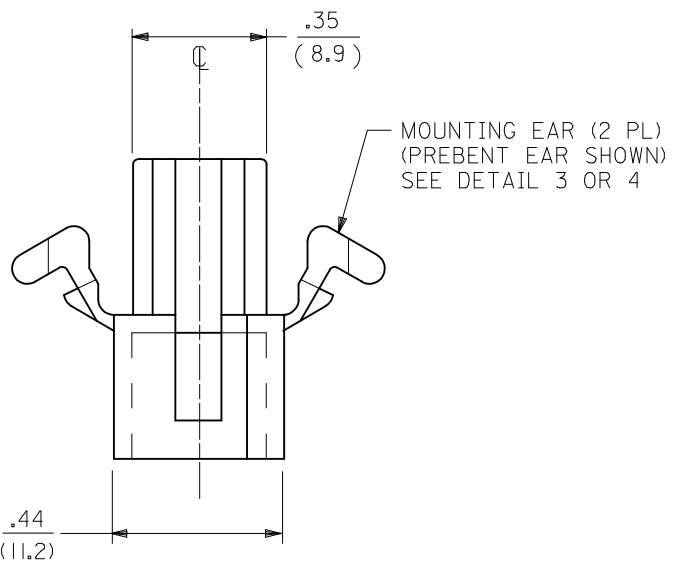
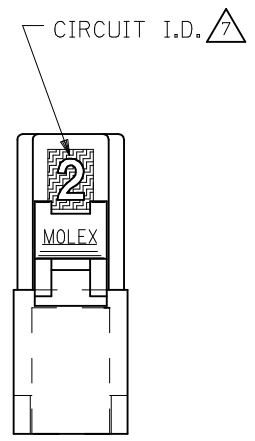
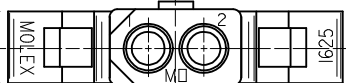


PLUG HOUSING



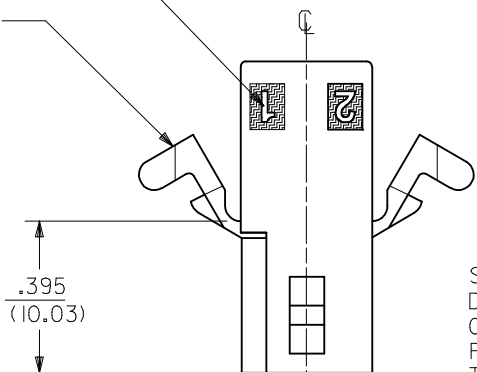
CORRECT .194 DIM. IEC NO: UCP2015-0569 DRWN:MKIPPER 2014/08/15 CHKD:JBELL 2014/08/15 APPR:FSMITH 2014/08/29	QUALITY SYMBOLS	GENERAL TOLERANCES (UNLESS SPECIFIED)		DIMENSION STYLE	SCALE	DESIGN UNITS	THIRD ANGLE PROJECTION
	$\nabla = 0$	mm	INCH	IN/MM	4:1	INCH	
	$\nabla = 0$	4 PLACES ± ---	± ---	DRAWN BY	DATE	TITLE	
	$\nabla = 0$	3 PLACES ± ---	± .007	JJS	1988/04/13	PLUG AND RECEPTACLE 2 CIRCUIT HOUSINGS .062/(1.57) DIA.	
		2 PLACES ± 0.18	± .010	CHECKED BY	DATE	molex SD-1625-2* SHEET NO. 1 OF 3	
		1 PLACE ± 0.25	± ---	RW	1988/04/13		
		0 PLACE ± ---	± ---	APPROVED BY	DATE		
				RAS	1988/04/13		
		ANGULAR ± 1 °		MATERIAL NO.	DOCUMENT NO.		
AF1		DRAFT WHERE APPLICABLE MUST REMAIN WITHIN DIMENSIONS		SEE CHART			
				SIZE	THIS DRAWING CONTAINS INFORMATION THAT IS PROPRIETARY TO MOLEX INCORPORATED AND SHOULD NOT BE USED WITHOUT WRITTEN PERMISSION		

.187  
(4.75)



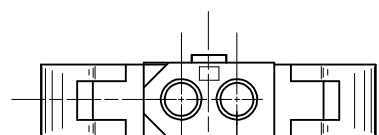
△ CIRCUIT I.D.

MOUNTING EAR (2 PL)  
(WHEN SPECIFIED)  
SEE DETAIL 3 OR 4



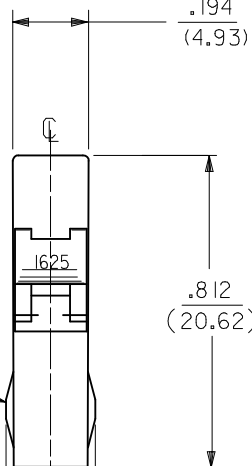
STANDARD  
DETENT SHOWN.  
OPTIONAL  
POSITIVE LOCK  
THIS SIDE ONLY  
(SEE NOTE △5)

0.340  
(8.64)



.145±.005  
(3.68±0.13)

.194  
(4.93)

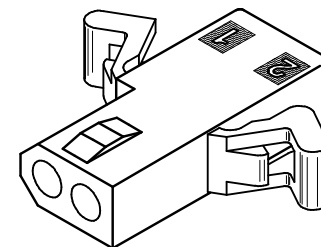


0.233±.010  
(5.92±0.25)

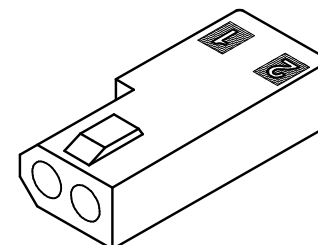


OPTIONAL POSITIVE LOCK

ONE SIDE ONLY  
SCALE 4:1



RECEPTACLE HOUSING  
(1625-2R2 SHOWN)



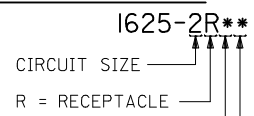
RECEPTACLE HOUSING  
(1625-2R3 SHOWN)

SEE SHEET 1 SEC NO: UCP2015-0569 DRAWN: KIPPER 2014/08/15 CHKD: BELL 2014/08/15 APPR: FSMITH 2014/08/29	QUALITY SYMBOLS ▽=0 ▽=0 ▽=0	GENERAL TOLERANCES (UNLESS SPECIFIED)		DIMENSION STYLE IN/MM	SCALE 4:1	DESIGN UNITS INCH	THIRD ANGLE PROJECTION						
		4 PLACES ± --- ± ---	3 PLACES ± --- ± .007	2 PLACES ± 0.18 ± .010	1 PLACE ± 0.25 ± ---	0 PLACE ± --- ± ---	ANGULAR ± 1°	DRAFT WHERE APPLICABLE MUST REMAIN WITHIN DIMENSIONS	DRAWN BY JJS	DATE 1988/04/13	TITLE PLUG AND RECEPTACLE 2 CIRCUIT HOUSINGS .062/(1.57) DIA.		
		DRAWN BY JJS		DATE 1988/04/13		CHECKED BY RW	DATE 1988/04/13		APPROVED BY RAS	DATE 1988/04/13		DOCUMENT NO. SD-1625-2*	SHEET NO. 2 OF 3
		MATERIAL NO. SEE CHART		MATERIAL NO. SEE CHART		MATERIAL NO. SEE CHART		MATERIAL NO. SEE CHART		MATERIAL NO. SEE CHART			
REV AF1	DESCRIPTION	THIS DRAWING CONTAINS INFORMATION THAT IS PROPRIETARY TO MOLEX INCORPORATED AND SHOULD NOT BE USED WITHOUT WRITTEN PERMISSION											

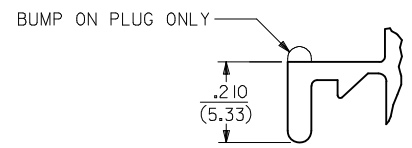
PLUG	
PART NO.	ENG. NO.
03-06-7023	I625-2P1BK
03-06-2023	I625-2P1
03-06-7027	I625-2P2BK
03-06-2024	I625-2P2

RECEPTACLE	
PART NO.	ENG. NO.
03-06-6023	I625-2R1BK
03-06-1020	I625-2R3
03-06-1023	I625-2R1
03-06-1022	I625-2R2
03-06-6025	I625-2R2RD
03-06-6026	I625-2R2GN
03-06-6027	I625-2R2BU
03-06-6022	I625-2R2BK
03-06-6028	I625-2R1BU

**RECEPTACLE LEGEND:**



BLANK = WITH STANDARD MOUNTING EARS; WITH DETENTS  
 1 = WITHOUT MOUNTING EARS; WITH DETENTS  
 2 = WITH PREBENT MOUNTING EARS; WITH DETENTS  
 3 = W/O MOUNTING EARS, WITH POSITIVE LOCK

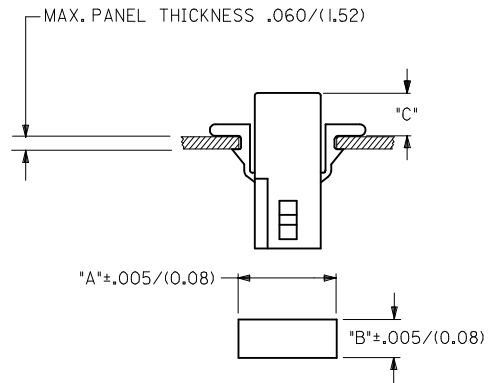


**PLUG LEGEND:**



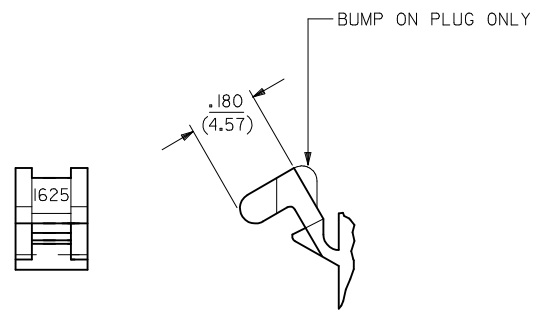
1 = WITHOUT MOUNTING EARS  
 2 = WITH PREBENT MOUNTING EARS  
 3 = W/O MOUNTING EARS, WITH POSITIVE LOCK

BLANK = NATURAL  
 AM=AMBER BK=BLACK BU=BLUE  
 BN=BROWN GY=GRAY GN=GREEN  
 OR=ORANGE RD=RED YW=YELLOW



**RECOMMENDED HOLE PATTERN (NOT TO SCALE)**

HOUSING	DIM. "A"	DIM. "B"	PREBENT EAR DIM. "C"	STD. EAR DIM. "C"
PLUG	.609 (15.47)	.318 (8.08)	.24 (6.0)	.24 (6.1)
RECEPTACLE	.505 (12.83)	.265 (6.73)	.25 (6.4)	.25 (6.4)



**DETAIL 4**

PREBENT MOUNTING EARS

- NOTES:
- MATERIAL - NYLON TYPE 6/6, 94V-2
  - FINISH: NONE
  - PRODUCT SPECIFICATION: PS-02-06
  - PACKAGING SPECIFICATION: PK-1625-003.
  - POSITIVE LOCK VERSION REQUIRES USE OF A SCREWDRIVER OR SIMILAR TOOL TO LIFT SHROUD ON PLUG HOUSING IN ORDER TO UNMATE RECEPTACLE HOUSINGS
  - HOUSINGS FOR USE WITH MOLEX .062/(1.57) DIA. SERIES TERMINALS.
  - CIRCUIT I.D. NUMBERS ON SIDE OF HOUSING APPEAR ON PARTS FROM TOOLS BUILT AFTER 07/01/1991.
  - THIS PART CONFORMS TO CLASS B REQUIREMENTS OF COSMETIC SPECIFICATION PS-45499-002.

SEE SHEET 1 EC NO: UCP2015-0569 DRW:MK1PPER 2014/08/15 CHKD:JBELL 2014/08/15 APPR:FSMITH 2014/08/29	QUALITY SYMBOLS 	GENERAL TOLERANCES (UNLESS SPECIFIED)		DIMENSION STYLE <b>IN/MM</b>	SCALE <b>4:1</b>	DESIGN UNITS <b>INCH</b>	THIRD ANGLE PROJECTION
		4 PLACES ± --- ± --- 3 PLACES ± --- ± .007 2 PLACES ± 0.18 ± .010 1 PLACE ± 0.25 ± --- 0 PLACE ± --- ± ---	mm INCH DRAWN BY DATE JJS 1988/04/13 CHECKED BY DATE RW 1988/04/13 APPROVED BY DATE RAS 1988/04/13	TITLE <b>PLUG AND RECEPTACLE          2 CIRCUIT HOUSINGS          .062/(1.57) DIA.</b>			
		ANGULAR ± 1°		MATERIAL NO. <b>SEE CHART</b>	DOCUMENT NO. <b>SD-1625-2*</b>	SHEET NO. <b>3 OF 3</b>	
		DRAFT WHERE APPLICABLE MUST REMAIN WITHIN DIMENSIONS					THIS DRAWING CONTAINS INFORMATION THAT IS PROPRIETARY TO MOLEX INCORPORATED AND SHOULD NOT BE USED WITHOUT WRITTEN PERMISSION