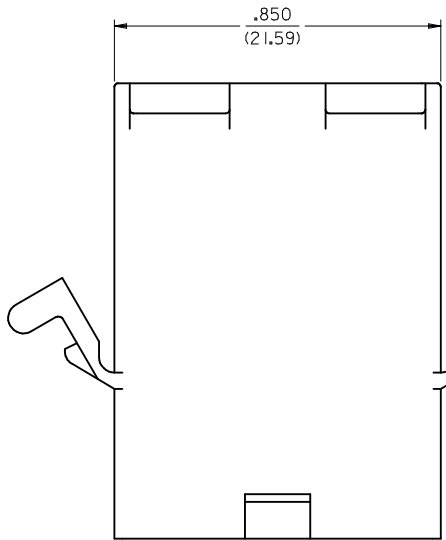
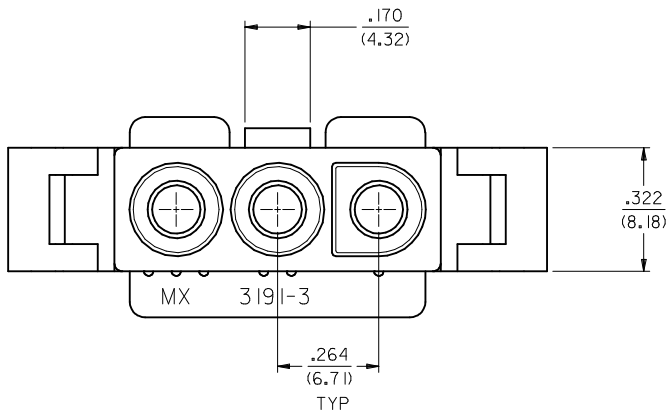


.215
(5.46) SQ, TYP

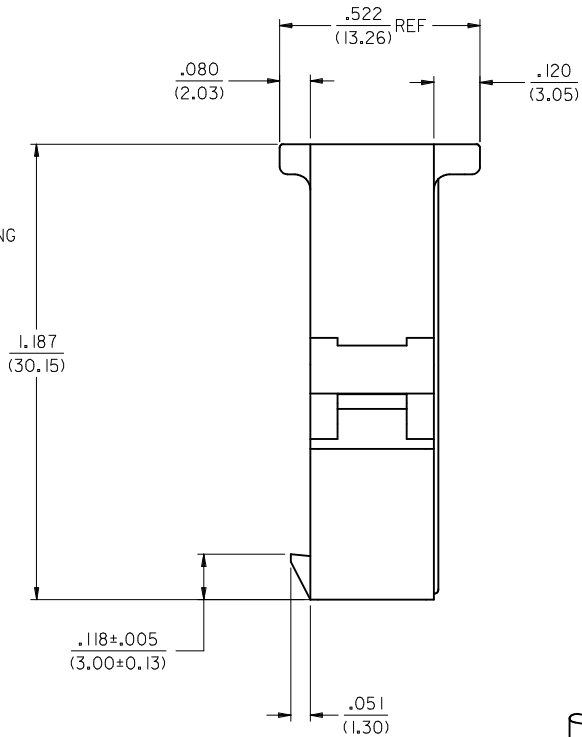


OPTIONAL MOUNTING
EARS, 2 PL, SEE
DETAIL "A", SHT 3

.390
(9.91)

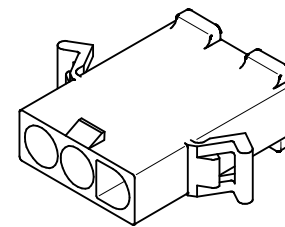


.264
(6.71)
TYP



.118±.005
(3.00±0.13)

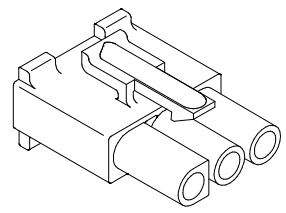
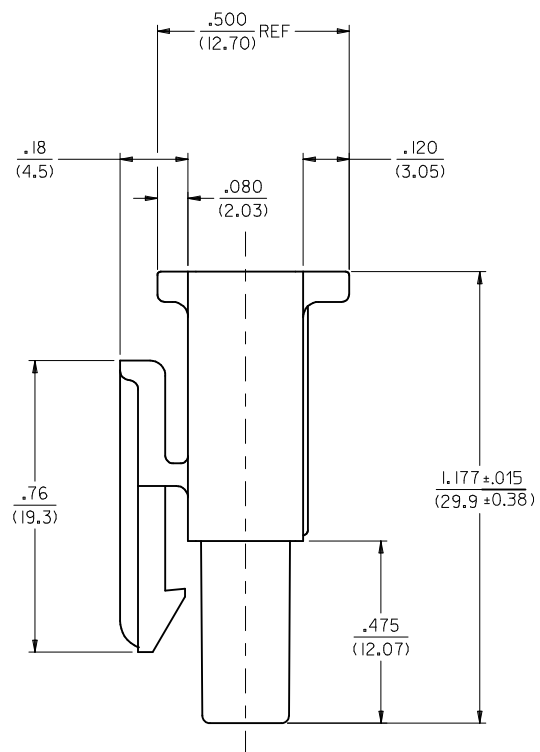
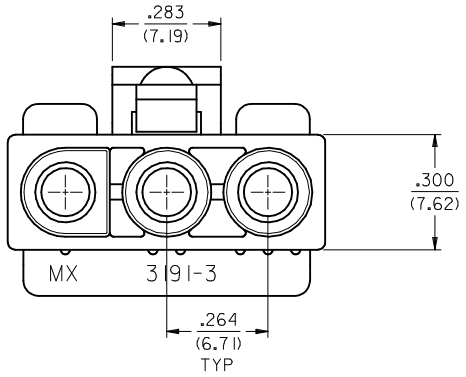
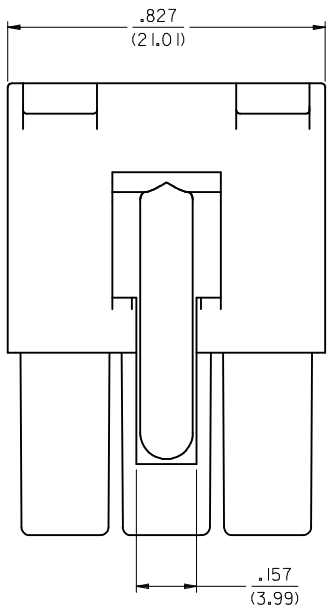
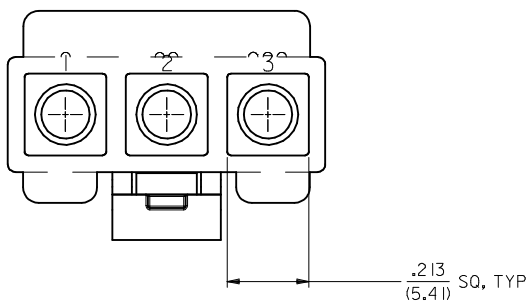
.051
(1.30)



PLUG

3	L2
2	L2
1	L2
SHT. REV.	

UPDATE REV. LEVELS EC NO: UCP2014-2106 DRW: AELHAG 2013/11/12 CHKD: JELL 2013/11/12 APPR: FSMITH 2013/11/13	QUALITY SYMBOLS ▽=0 ▽=0	GENERAL TOLERANCES (UNLESS SPECIFIED) <table border="1"> <thead> <tr> <th></th> <th>mm</th> <th>INCH</th> </tr> </thead> <tbody> <tr> <td>4 PLACES ±</td> <td>---</td> <td>---</td> </tr> <tr> <td>3 PLACES ±</td> <td>---</td> <td>±.010</td> </tr> <tr> <td>2 PLACES ±</td> <td>0.25</td> <td>±.015</td> </tr> <tr> <td>1 PLACE ±</td> <td>0.38</td> <td>---</td> </tr> </tbody> </table>		mm	INCH	4 PLACES ±	---	---	3 PLACES ±	---	±.010	2 PLACES ±	0.25	±.015	1 PLACE ±	0.38	---	DIMENSION STYLE IN/MM	SCALE 4:1	DESIGN UNITS INCH	THIRD ANGLE PROJECTION
		mm	INCH																		
	4 PLACES ±	---	---																		
	3 PLACES ±	---	±.010																		
2 PLACES ±	0.25	±.015																			
1 PLACE ±	0.38	---																			
		DRAWN BY DATE GWC 1996/01/08	TITLE .093/(2.36) HOUSING PLUG AND RECEPTACLE, 3 CKT .264/(6.71) CTRS.																		
		CHECKED BY DATE RW 1996/01/08	MOLEX INCORPORATED																		
		APPROVED BY DATE RAS 1996/01/08	MATERIAL NO. SEE CHART	DOCUMENT NO. SD-3191-3*	SHEET NO. 1 OF 3																
L2	DESCRIPTION	DRAFT WHERE APPLICABLE MUST REMAIN WITHIN DIMENSIONS																			
THIS DRAWING CONTAINS INFORMATION THAT IS PROPRIETARY TO MOLEX INCORPORATED AND SHOULD NOT BE USED WITHOUT WRITTEN PERMISSION																					



RECEPTACLE

REMOVE DIM. 28.75 EC NO: UCP2014-2106 DRW: AELHAG 2013/11/12 CHKD: JELL 2013/11/12 APPR: FSMITH 2013/11/13 L2	QUALITY SYMBOLS ▽=0 ▽=0	GENERAL TOLERANCES (UNLESS SPECIFIED)		DIMENSION STYLE IN/MM	SCALE 4:1	DESIGN UNITS INCH	THIRD ANGLE PROJECTION	
		4 PLACES ± --- ± ---	DRAWN BY GWC	DATE 1996/01/08	TITLE .093/(2.36) HOUSINGS, PLUG AND RECEPTACLE, 3 CKT .264/(6.71) CTRS.			
		3 PLACES ± --- ± .010	CHECKED BY RW	DATE 1996/01/08				
		2 PLACES ± 0.25 ± .015	APPROVED BY RAS	DATE 1996/01/08	MOLEX INCORPORATED DOCUMENT NO. SD-3191-3*			
1 PLACE ± 0.38 ± ---	MATERIAL NO. SEE CHART		SHEET NO. 2 OF 3					
DRAFT WHERE APPLICABLE MUST REMAIN WITHIN DIMENSIONS		THIS DRAWING CONTAINS INFORMATION THAT IS PROPRIETARY TO MOLEX INCORPORATED AND SHOULD NOT BE USED WITHOUT WRITTEN PERMISSION						

PLUG	
PART NO.	ENG. NO.
I9-09-2038	3191-3P
I9-09-2039	3191-3PI
I9-09-2037	3191-3P-201
I9-09-2036	3191-3PI-201
I9-09-1038	3191-3PIRD OBSOLETE
I9-09-3032	3191-3PRD OBSOLETE
I9-09-3033	3191-3PBU

RECEPTACLE	
PART NO.	ENG. NO.
I9-09-1039	3191-3RI
I9-09-1036	3191-3RI-201
I9-09-3030	3191-3RI RD OBSOLETE
I9-09-5039	3191-3RI-2

LEGEND

3191-3****-*

CIRCUIT SIZE

P = PLUG
R = RECEPTACLE

EARS: BLANK = WITH PREBENT EARS (PLUG ONLY)
I = WITHOUT EARS

NOTES:

1. MATERIAL: SEE LEGEND
2. FINISH: NONE
3. PRODUCT SPECIFICATION: PS-02-08
4. PACKAGING SPECIFICATION: PK-3191-001
5. PARTS CONFORM TO CLASS B REQUIREMENTS OF COSMETIC SPECIFICATION PS-45499-002.

COLOR:

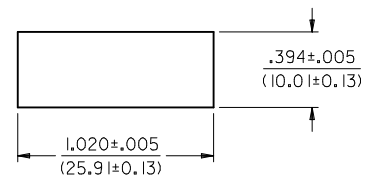
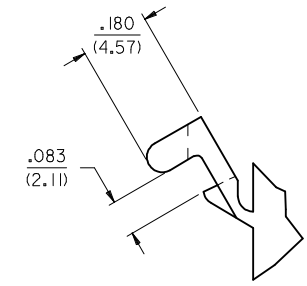
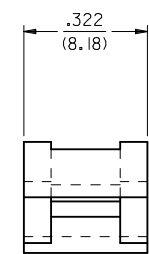
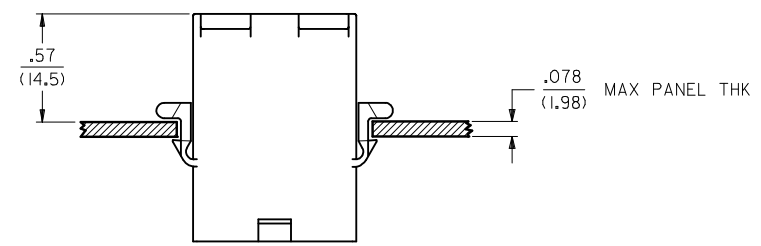
BLANK = NATURAL COLOR

AM=AMBER BK=BLACK BU=BLUE
BN=BROWN GY=GRAY GN=GREEN
OR=ORANGE RD=RED YW=YELLOW

COLORS AVAILABLE ONLY IN 94V-2 MATERIAL

MATERIAL:

BLANK=NYLON TYPE 6/6,94V-2
2 = NYLON TYPE PA66, 94V-0
201=NYLON TYPE 6/6, 94V-0



RECOMMENDED HOLE CUTOUT

DETAIL "A"

PREBENT MOUNTING EAR (SCALE 4:1)

UPDATE REV. LEVEL EC NO: UCP2014-2106 DRWNAELHAG 2013/11/12 CHKD: APPR:FSMLTH 2013/11/13 REV:	QUALITY SYMBOLS	GENERAL TOLERANCES (UNLESS SPECIFIED) <table border="1"> <tr><th></th><th>mm</th><th>INCH</th></tr> <tr><td>4 PLACES ±</td><td>---</td><td>---</td></tr> <tr><td>3 PLACES ±</td><td>---</td><td>±.010</td></tr> <tr><td>2 PLACES ±</td><td>0.25</td><td>±.015</td></tr> <tr><td>1 PLACE ±</td><td>0.38</td><td>---</td></tr> </table>		mm	INCH	4 PLACES ±	---	---	3 PLACES ±	---	±.010	2 PLACES ±	0.25	±.015	1 PLACE ±	0.38	---	DIMENSION STYLE	SCALE	DESIGN UNITS	THIRD ANGLE PROJECTION
			mm	INCH																	
	4 PLACES ±	---	---																		
	3 PLACES ±	---	±.010																		
2 PLACES ±	0.25	±.015																			
1 PLACE ±	0.38	---																			
▽=0 ▽=0	IN/MM	2:1	INCH																		
		DRAWN BY DATE GWC 1996/01/08 CHECKED BY DATE RW 1996/01/08 APPROVED BY DATE RAS 1996/01/08	TITLE .093/(2.36) HOUSINGS, PLUG AND RECEPTACLE, 3 CKT .264/(6.71) CTRS.																		
L2		MATERIAL NO. SEE CHART SIZE C	MOLEX INCORPORATED DOCUMENT NO. SD-3191-3*		SHEET NO. 3 OF 3																