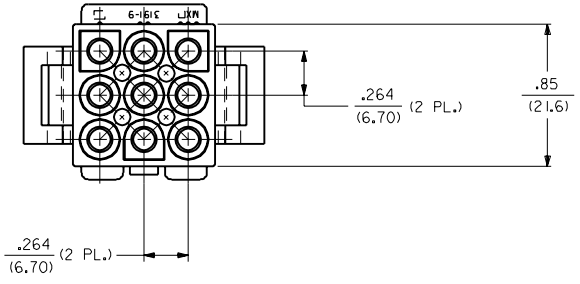
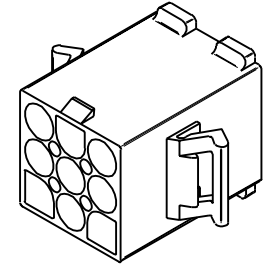
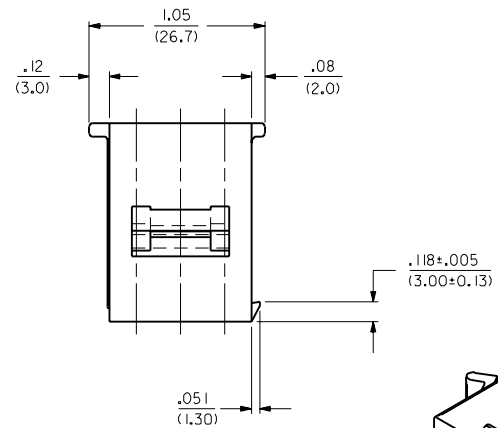


OPTIONAL MOUNTING EAR  
(WHEN SPECIFIED)

CIRCUIT NUMBER  
IDENTIFICATION RIBS



PLUG

J1	ADD RAMP DIM'S ECN #U4 0293 3-1-94 RW
J2	REV. AND REDRAWN ECR #UG0392
J1	SEP 8-2-89 RW
MFG. SH. REV.	LTR. REVISIONS

DIMENSIONS SHOWN (METRIC) INCH		UNLESS OTHERWISE SPECIFIED TOLERANCES: ANGULAR ± .005°	
3 PLACE	± .010	---	---
2 PLACE	± .014	± 0.25	---
1 PLACE	---	± 0.35	---
DRAFT WHERE APPLICABLE MUST REMAIN WITHIN DIMENSIONS			
DRAWN BY: CEP		CHKD. BY: RW	
APP'D. BY: RAS		SCALE: 2:1	
FILE NAME: S31919X1		SHEET NO. 1 OF 3	
DATE: 8/2/89		U.S.A.	
PART NO. SEE CHART		DRWG. NO. SD-3191-9*	
MOLEX INCORPORATED LITTLE ROCK, AR 60532			

PLUG		RECEPTACLE	
PART NO.	ENG. NO.	PART NO.	ENG. NO.
19-09-2098	3191-9P	19-09-1099	3191-9R1
19-09-2099	3191-9P1	19-09-1096	3191-9R1-201
19-09-2097	3191-9P-201		
19-09-2096	3191-9P1-201		

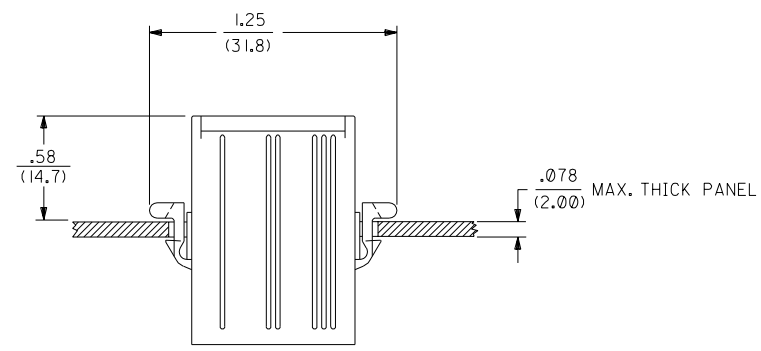
**LEGEND:**

3191-9\*\*\*\*-\*

CIRCUIT SIZE

P = PLUG  
R = RECEPTACLE

EARS: BLANK = WITH PREBENT EARS (PLUG ONLY)  
I = WITHOUT EARS

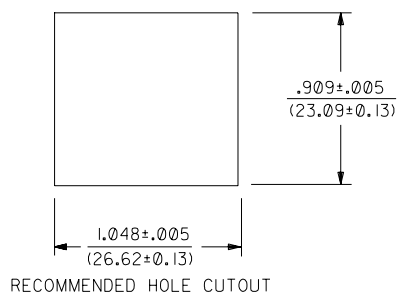


**COLOR:** BLANK = NATURAL COLOR

AM=AMBER BK=BLACK BU=BLUE  
BN=BROWN GY=GRAY GN=GREEN  
OR=ORANGE RD=RED YW=YELLOW

COLORS AVAILABLE ONLY IN 94V-2 MATERIAL

**MATERIAL:** BLANK=NYLON TYPE 6/6, 94V-2  
201=NYLON TYPE 6/6, 94V-0



**NOTES:**

I. THESE HOUSINGS FOR USE WITH MOLEX .093/(2.36) DIAMETER SERIES TERMINALS.

DIMENSIONS SHOWN (METRIC) INCH UNLESS OTHERWISE SPECIFIED TOLERANCES: ANGULAR ± .02°   0		REVISE ONLY ON CAD SYSTEM																	
<table border="1"> <thead> <tr> <th></th> <th>INCH</th> <th>METRIC</th> </tr> </thead> <tbody> <tr> <td>3 PLACE</td> <td>± .010</td> <td>---</td> </tr> <tr> <td>2 PLACE</td> <td>± .014</td> <td>± 0.25</td> </tr> <tr> <td>1 PLACE</td> <td>---</td> <td>± 0.35</td> </tr> </tbody> </table>			INCH	METRIC	3 PLACE	± .010	---	2 PLACE	± .014	± 0.25	1 PLACE	---	± 0.35	<table border="1"> <tr> <td colspan="2">TITLE .093/(2.36) HOUSINGS PLUG AND RECEPTACLE 9 CKT., .264/(6.70) CTRS.</td> </tr> <tr> <td>MOLEX INCORPORATED LITSE, ILL. 60532 U.S.A.</td> <td>SHEET NO. 3 DATE 8/ 2/89</td> </tr> </table>		TITLE .093/(2.36) HOUSINGS PLUG AND RECEPTACLE 9 CKT., .264/(6.70) CTRS.		MOLEX INCORPORATED LITSE, ILL. 60532 U.S.A.	SHEET NO. 3 DATE 8/ 2/89
	INCH	METRIC																	
3 PLACE	± .010	---																	
2 PLACE	± .014	± 0.25																	
1 PLACE	---	± 0.35																	
TITLE .093/(2.36) HOUSINGS PLUG AND RECEPTACLE 9 CKT., .264/(6.70) CTRS.																			
MOLEX INCORPORATED LITSE, ILL. 60532 U.S.A.	SHEET NO. 3 DATE 8/ 2/89																		
DRAFT WHERE APPLICABLE MUST REMAIN WITHIN DIMENSIONS		PART NO. SD-3191-9*																	
DRWG. BY: GEP	CHK'D. BY: RW	FILE NAME: S31919X3.DGN	THIS DRAWING CONTAINS INFORMATION THAT IS PROPRIETARY TO MOLEX INC. AND SHOULD NOT BE USED WITHOUT WRITTEN PERMISSION																
APP'D. BY: RAS	SCALE: --:--	NO P.S. 1																	
LTR. REVISIONS	LTR. REVISIONS																		