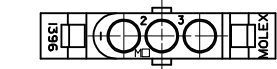
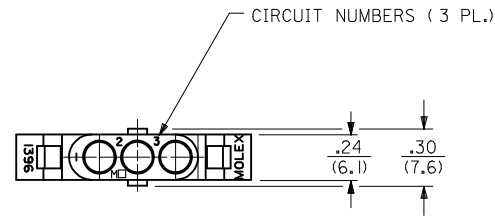
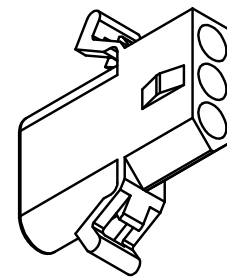
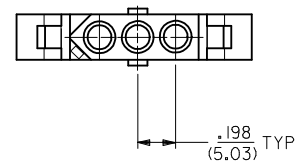
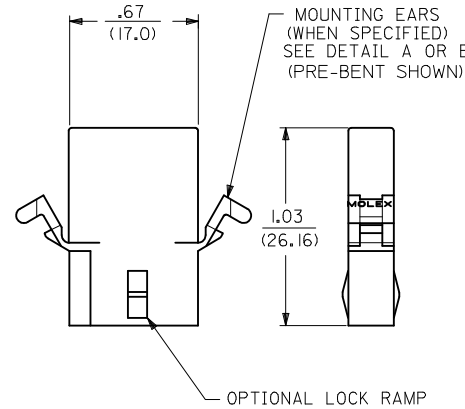


PLUG

1396-P SHOWN ABOVE (WITH STANDARD MOUNTING EAR)

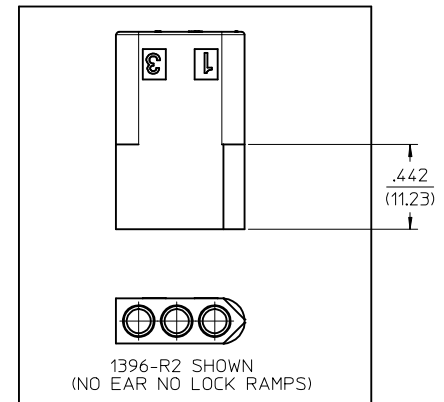


ALTERNATE END CONFIGURATION
SEE NOTE A



RECEPTACLE

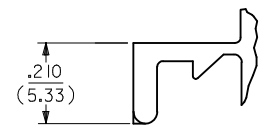
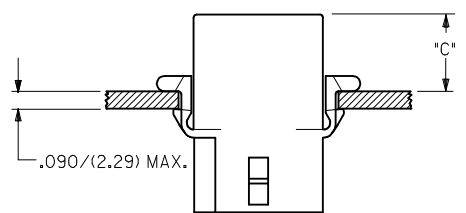
1396-R4 SHOWN (WITH PRE-BENT EAR)



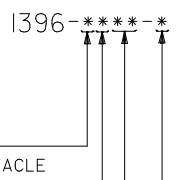
ADD PK-1396-002 EC NO: UCP2016-2183 DRWN:KIPPER 2015/12/09 CHKD:JBELL 2015/12/09 APPR:FSMITH 2015/12/23	QUALITY SYMBOLS ▽=0 ▽=0 ▽=0	GENERAL TOLERANCES (UNLESS SPECIFIED)		DIMENSION STYLE IN/MM	SCALE 2:1	DESIGN UNITS INCH	THIRD ANGLE PROJECTION		
		4 PLACES ± .010 3 PLACES ± .010 2 PLACES ± .014 1 PLACE ± 0.25 0 PLACE ± .010	mm INCH	DRAWN BY JJS	DATE 1988/04/08	TITLE .093/(2.36) HOUSING PLUG AND RECEPTACLE 3 CIRCUIT .198 CENTERS			
		ANGULAR ±1/2°		CHECKED BY RW	DATE 1988/04/08	molex			
		DRAFT WHERE APPLICABLE MUST REMAIN WITHIN DIMENSIONS		APPROVED BY FSMITH	DATE 2014/06/23				

PLUG		RECEPTACLE	
ORDER NO.	ENG. NO.	ORDER NO.	ENG. NO.
03-09-2031	I396-P	03-09-1031	I396-R
03-09-2032	I396-P1	03-09-1032	I396-R1
03-09-7032	I396-PIBK	03-09-1033	I396-R2
03-09-7031	I396-PBK	03-09-6033	I396-R2BK
03-09-2037	I396-P3	03-09-6032	I396-RIBK
		03-09-6031	I396-RBK
		03-09-1081	I396-R4

HOUSING	DIM. "A"	DIM. "B"	"C" PREBENT EAR	"C" STANDARD EAR
PLUG	.933/(23.70)	.375/(9.53)	.40/(10.2)	.38/(9.7)
RECEPT.	.830/(21.08)	.312/(7.92)	.41/(10.4)	.39/(9.9)



LEGEND:



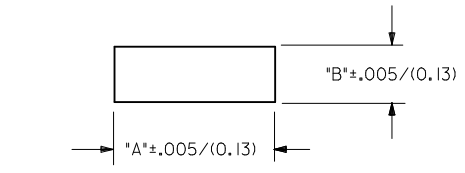
- BLANK = WITH STANDARD EARS
- 1 = WITHOUT EARS
- 2 = RECEPTACLE WITHOUT EARS, WITHOUT LOCK RAMP
- 3 = PLUG ONLY, W/ SIDE MOUNT (SEE SD-I396-P3)
- 4 = WITH PREBENT EARS

- COLOR: BLANK=NATURAL COLOR
- AM=AMBER BK=BLACK BU=BLUE
 - BN=BROWN GY=GRAY GN=GREEN
 - OR=ORANGE RD=RED YW=YELLOW

BLANK = NYLON 6/6, 94V-2

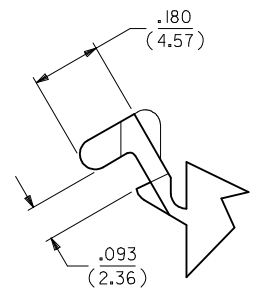
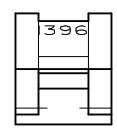
NOTES:

1. MATERIAL: SEE LEGEND
 2. FINISH: NOT APPLICABLE
 3. PRODUCT SPECIFICATION: PS-02-09
 4. PACKAGING INFORMATION: REFER TO PK-1396-002
- △ DIMENSION FROM THE BACK OF THE HOUSING TO THE END OF BRUSH ON WIRE INSERTED INTO THE HOUSING:
 DIM "A"= .256/6.50 FOR 42477 & 42478 TERMINALS
 .216/5.49 FOR ALL OTHER .093 TERMINALS
 DIM "B"= .377/9.58 FOR 42477 & 42478 TERMINALS
 .337/8.56 FOR ALL OTHER .093 TERMINALS
 - △ CIRCUIT I.D. NUMBERS ON SIDE OF HOUSING APPEAR ON PARTS FROM TOOLS BUILT AFTER 5/4/93.
 - △ END CONFIGURATION IS DEPENDENT ON MOLD DESIGN. PARTS MAY HAVE EITHER CONFIGURATION.
 - 8. PARTS CONFORM TO CLASS B REQUIREMENTS OF COSMETIC SPECIFICATION PS-45499-002.



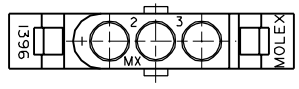
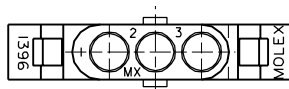
RECOMMENDED PANEL MOUNTING HOLE

DETAIL A
STANDARD MOUNTING EAR
(SCALE 4:1)

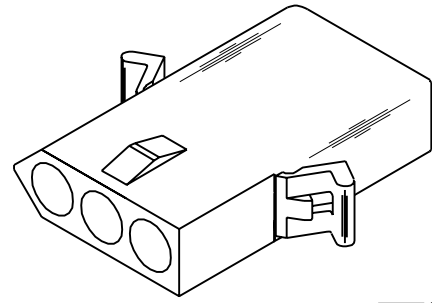


DETAIL B
PREBENT MOUNTING EAR
(SCALE 4:1)

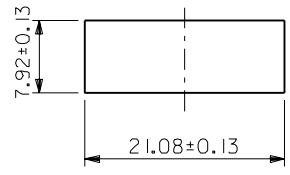
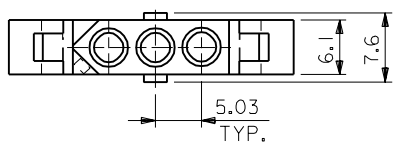
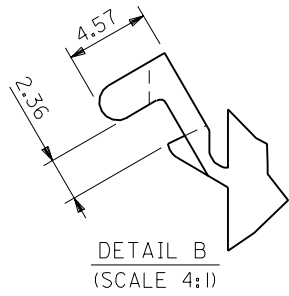
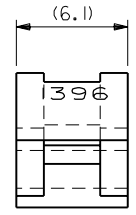
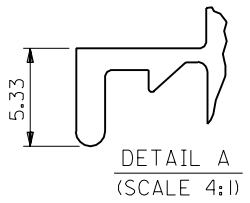
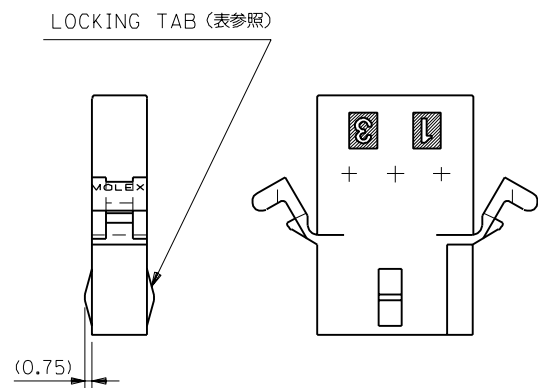
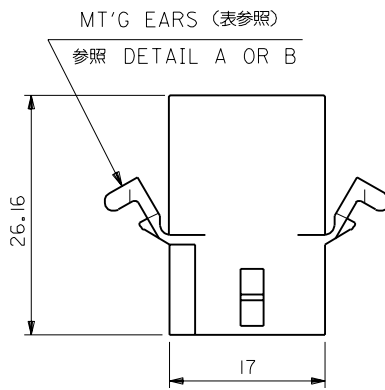
SEE SHEET 1 EC NO: UCP2016-2183 DRWN:KIPPER 2015/12/09 CHKD:J.BELL 2015/12/09 APPR:FSMITH 2015/12/23 Z3	QUALITY SYMBOLS	GENERAL TOLERANCES (UNLESS SPECIFIED)	DIMENSION STYLE IN/MM	SCALE 2:1	DESIGN UNITS INCH	THIRD ANGLE PROJECTION
	▽=0	4 PLACES ± --- ± ---	DRAWN BY DATE JJS 1988/04/08	TITLE .093/(2.36) HOUSING PLUG AND RECEPTACLE 3 CIRCUIT .198 CENTERS		
	▽=0	3 PLACES ± --- ± .010	CHECKED BY DATE RW 1988/04/08	molex SD-1396-* SHEET NO. 2 OF 2		
	▽=0	2 PLACES ± 0.25 ± .014	APPROVED BY DATE FSMITH 2014/06/23			
	▽=0	1 PLACE ± 0.35 ± ---	MATERIAL NO. SEE CHART		DOCUMENT NO. SD-1396-*	
▽=0	0 PLACE ± --- ± ---	ANGULAR ±1/2°		THIS DRAWING CONTAINS INFORMATION THAT IS PROPRIETARY TO MOLEX INCORPORATED AND SHOULD NOT BE USED WITHOUT WRITTEN PERMISSION		



OPTIONAL END CONFIGURATION



RECEPTACLE



パネル取付穴寸法
(パネル厚 2.29最大)

I396R4	03-09-1081	有	WITH	有	WITH DETAIL B
I396R2	03-09-1033	無	WITHOUT	無	WITHOUT
I396R1	03-09-1032	有	WITH	無	WITHOUT
I396R	03-09-1031	有	WITH	有	WITH DETAIL A
ENG. NO.	EDP NO.	LOCKING TABS	MT'G EARS		

EC NO. DRWN: CHK: APPR:	EC NO. DRWN: CHK: APPR:	EC NO. DRWN: CHK: APPR:	EC NO. DRWN: CHK: APPR:	RELEASED EC NO. JC2001-0078 DRWN: K.KOHAMA '00/08/28 CHK: T.YAMAGUCHI APPR: M.FUKUSHIMA
----------------------------------	----------------------------------	----------------------------------	----------------------------------	---

MATERIAL 材料	NYLON66 94V-2
FINISH 仕上り	
WIRE RANGE 適用線径範囲	
INS. RANGE 被覆径	

GENERAL TOLERANCES: (UNLESS SPECIFIED) 一般公差	SCALE 2 : 1	DESIGN UNITS <input checked="" type="checkbox"/> mm <input type="checkbox"/> INCH
10 UNDER 未満	+0.25 ±0.2	DRAWN BY & DATE K.KOHAMA '00/08/28
10 OVER 以上	+0.3 ±0.25	CHECKED BY & DATE T.YAMAGUCHI '00/08/28
30 OVER 以上	+0.35 ±0.3	APPROVED BY & DATE M.FUKUSHIMA '00/08/28
ANGLE 角度	+3°	CAD FILENAME I396001.S01

MODEL NO.	03-09-1***	DIMENSIONS:	SHT	REV
		<input type="checkbox"/> mm <input type="checkbox"/> INCH <input checked="" type="checkbox"/> mm ONLY		
THIRD ANGLE PROJECTION		REVISE ON CAD ONLY		
TITLE: 3 CIRCUITS RCPT HSG (0.093 DIA TERMINAL)				
MATERIAL NO. SEE NOTES		DRAWING NO. SD-1396-001		SHEET NO. 1 OF 1
MOLEX INCORPORATED				
THIS DRAWING CONTAINS INFORMATION THAT IS PROPRIETARY TO MOLEX INCORPORATED AND SHOULD NOT BE USED WITHOUT WRITTEN PERMISSION.				
				SIZE B