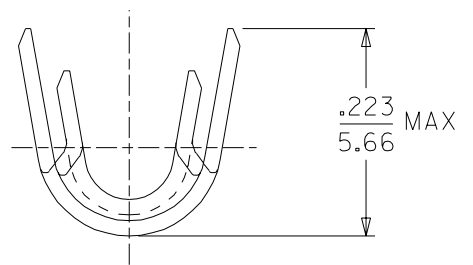
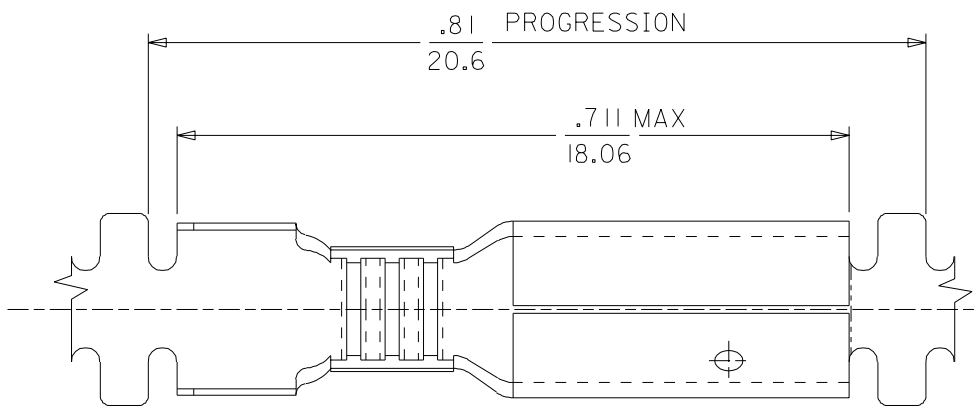
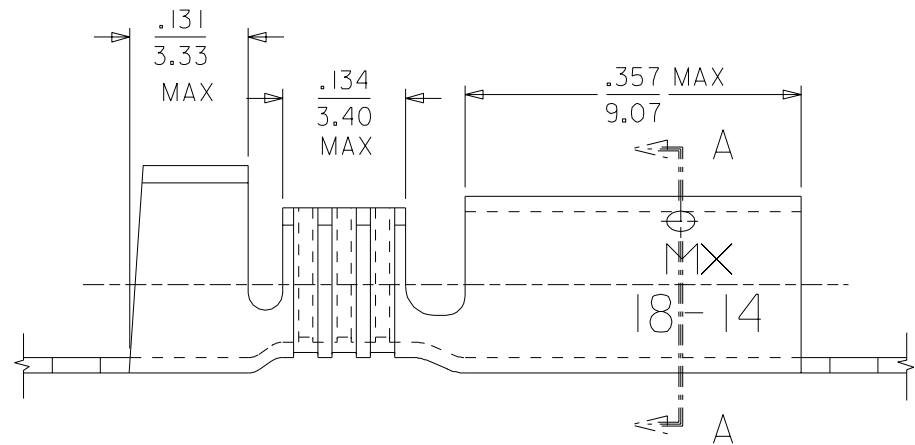


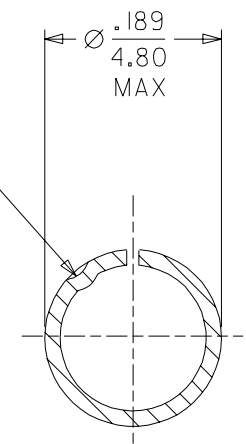
MATERIAL NO.	ENGINEERING NO.	DESCRIPTION	FINISH
197234100	19723-4100	CONTINUOUS STRIP WITH DIMPLE	UNPLATED
197234101	19723-4101	CONTINUOUS STRIP WITHOUT DIMPLE	
197234102	19723-4102	CONTINUOUS STRIP WITH DIMPLE	ELECTRO-TIN
197234103	19723-4103	CONTINUOUS STRIP WITHOUT DIMPLE	



BACKGROUND OMITTED FOR CLARITY



DIMPLE LOCATION OPTIONAL SEE CHART



SECTION A-A  
BACKGROUND OMITTED FOR CLARITY

SALES DRAWING

NOTES:  
1. MATERIA: BRASS.  
2. PLATING: SEE CHART.

NEW RELEASE EC NO. ETC2004-0035 DRWN: BRE 03/08/08 CHK: HEB 03/08/08 APPR: RWD 03/08/08	QUALITY SYMBOLS	GENERAL TOLERANCES: (UNLESS SPECIFIED)		SCALE 4:1	DESIGN UNITS	DIMENSIONS:		SHT	REV	
	MAJOR $\nabla = 0$	mm	INCH	<input type="checkbox"/> mm <input checked="" type="checkbox"/> INCH	<input type="checkbox"/> mm <input checked="" type="checkbox"/> INCH <input type="checkbox"/> mm ONLY		THIRD ANGLE PROJECTION <input checked="" type="checkbox"/>		REVISE ON CAD ONLY	
	CRITICAL $\triangle = 0$	4 PLACES $\pm 0.$	$\pm .$	DRAWN BY & DATE	TITLE: SNAP PLUG RECEPTACLE					
		3 PLACES $\pm 0.$	$\pm .$	BRE 03/08/07	.156 DIA VIBRAKRIMP					
	2 PLACES $\pm 0.$	$\pm .$	CHECKED BY & DATE	18-14 AWG CHAIN STAMPED						
	1 PLACE $\pm 0.$	$\pm .$	HEB 03/08/07	APPROVED BY & DATE						
	ANGULAR: $\pm 1/2^\circ$		RWD 03/08/07	MOLEX INCORPORATED						
	DRAFT WHERE APPLICABLE MUST REMAIN WITHIN DIMENSIONS		CAD FILENAME	MATERIAL NO.		DRAWING NO.		SHEET NO.		
			SD-19723-002 .DWG	SEE CHART		SD-19723-002		1 OF 1		
	THIS DRAWING CONTAINS INFORMATION THAT IS PROPRIETARY TO MOLEX INCORPORATED AND SHOULD NOT BE USED WITHOUT WRITTEN PERMISSION.									
	SIZE B									