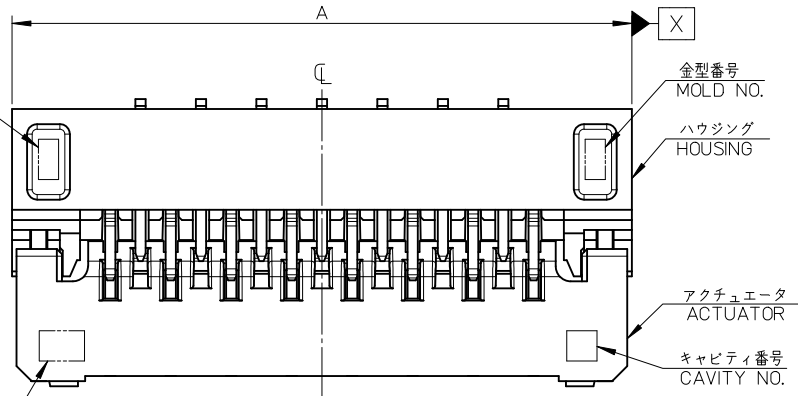


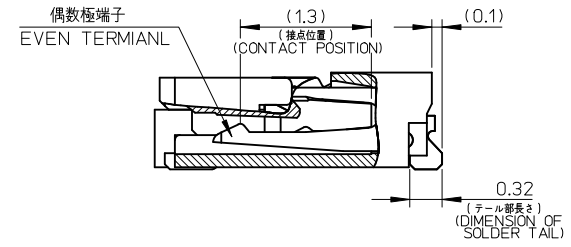
10 9 8 7 6 5 4 3 2 1

キャビティ番号  
CAVITY NO.

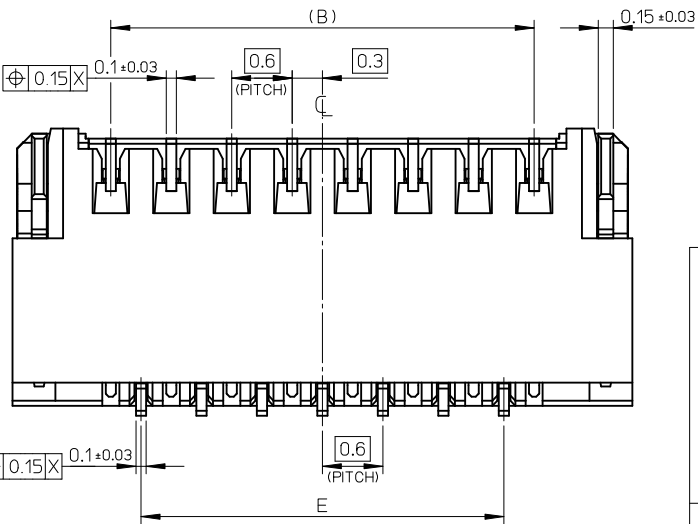
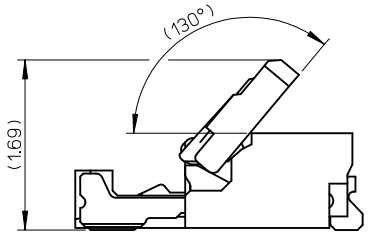
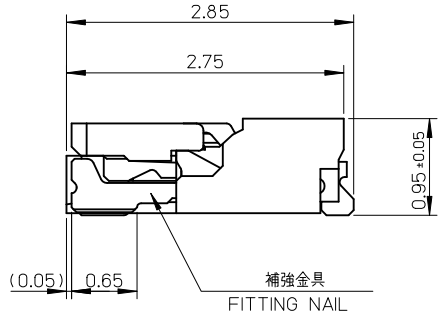
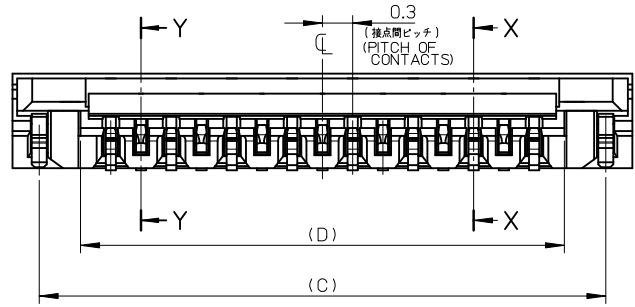
トレードマーク  
TRADE MARK



SECTION X-X



SECTION Y-Y



|                                  |      |       |      |       |                  |          |
|----------------------------------|------|-------|------|-------|------------------|----------|
| 14.4                             | 15.6 | 16.42 | 15.0 | 16.95 | 503566-5100      | 51       |
| 12.6                             | 13.8 | 14.62 | 13.2 | 15.15 | 503566-4500      | 45       |
| 12.0                             | 13.2 | 14.02 | 12.6 | 14.55 | 503566-4300      | 43       |
| 11.4                             | 12.6 | 13.42 | 12.0 | 13.95 | 503566-4100      | 41       |
| 10.8                             | 12.0 | 12.82 | 11.4 | 13.35 | 503566-3900      | 39       |
| 10.2                             | 11.4 | 12.22 | 10.8 | 12.75 | 503566-3700      | 37       |
| 9.6                              | 10.8 | 11.62 | 10.2 | 12.15 | 503566-3500      | 35       |
| 9.0                              | 10.2 | 11.02 | 9.6  | 11.55 | 503566-3300      | 33       |
| 8.4                              | 9.6  | 10.42 | 9.0  | 10.95 | 503566-3100      | 31       |
| 7.2                              | 8.4  | 9.22  | 7.8  | 9.75  | 503566-2700      | 27       |
| 6.6                              | 7.8  | 8.62  | 7.2  | 9.15  | 503566-2500      | 25       |
| 6.0                              | 7.2  | 8.02  | 6.6  | 8.55  | 503566-2300      | 23       |
| 5.4                              | 6.6  | 7.42  | 6.0  | 7.95  | 503566-2100      | 21       |
| 4.8                              | 6.0  | 6.82  | 5.4  | 7.35  | 503566-1900      | 19       |
| 4.2                              | 5.4  | 6.22  | 4.8  | 6.75  | 503566-1700      | 17       |
| 3.6                              | 4.8  | 5.62  | 4.2  | 6.15  | 503566-1500      | 15       |
| 3.0                              | 4.2  | 5.02  | 3.6  | 5.55  | 503566-1300      | 13       |
| 2.4                              | 3.6  | 4.42  | 3.0  | 4.95  | 503566-1100      | 11       |
| 1.8                              | 3.0  | 3.82  | 2.4  | 4.35  | 503566-0900      | 9        |
| E                                | D    | C     | B    | A     | EMBOSSED PACKAGE | 極数       |
|                                  |      |       |      |       | オーダー番号 ORDER NO. | CIRCUITS |
| CONNECTOR SERIES NO. 503566-***8 |      |       |      |       |                  |          |

|   |                                       |       |  |  |                             |  |                               |  |  |  |
|---|---------------------------------------|-------|--|--|-----------------------------|--|-------------------------------|--|--|--|
| REVISED<br>EC NO.: J2011-1637<br>DRWN: HMIYAMOTO 2011/05/31<br>CHKD: HIJIMA 2011/05/31<br>APPR: KMORIKAWA 2011/06/02          | GENERAL TOLERANCES (UNLESS SPECIFIED) |       | DIMENSION STYLE<br>MM ONLY                           |  | SCALE                       |  | DESIGN UNITS<br>METRIC        |  | THIRD ANGLE PROJECTION   |  |
|   | 10 UNDER                              | ± --- | DRAWN BY<br>HIJIMA                                   |  | DATE<br>2010/05/20          |  | TITLE                         |  | 0.3 FPC CONN E/O<br>BTM CONTACT TYPE<br>HGT=0.95MM<br>MOLEX INCORPORATED |  |
|   | 10 OVER 30 UNDER                      | ± --- | CHECKED BY<br>NMATSUURA                              |  | DATE<br>2010/05/20          |  |                               |  |  |  |
|   | 30 OVER                               | ± --- | APPROVED BY<br>KMORIKAWA                             |  | DATE<br>2010/06/11          |  |                               |  |  |  |
|   | ANGULAR ±1 °                          |       | DRAFT WHERE APPLICABLE MUST REMAIN WITHIN DIMENSIONS |  | MATERIAL NO.<br>503566-***8 |  | DOCUMENT NO.<br>SD-503566-001 |  | SHEET NO.<br>1 OF 2  |  |
| THIS DRAWING CONTAINS INFORMATION THAT IS PROPRIETARY TO MOLEX INCORPORATED AND SHOULD NOT BE USED WITHOUT WRITTEN PERMISSION |                                       |       |  |  |                             |  |                               |  |  |  |



F

E

D

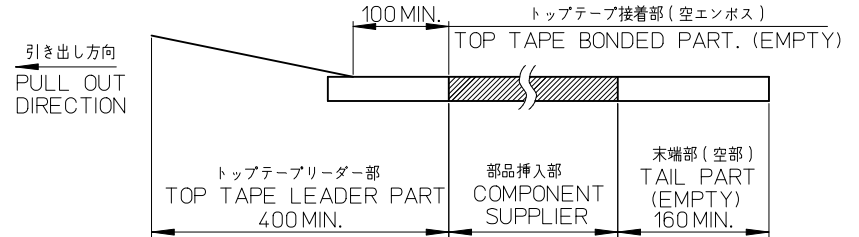
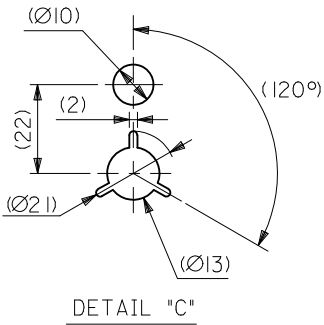
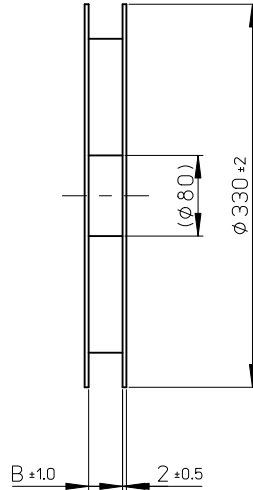
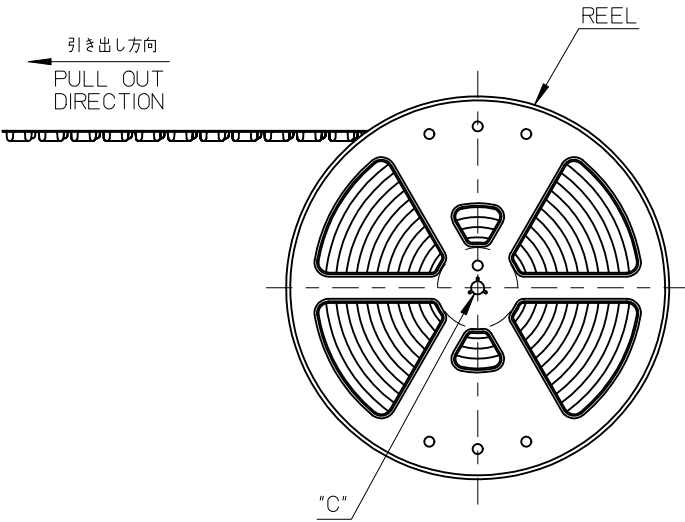
C

B

A

注記 NOTES

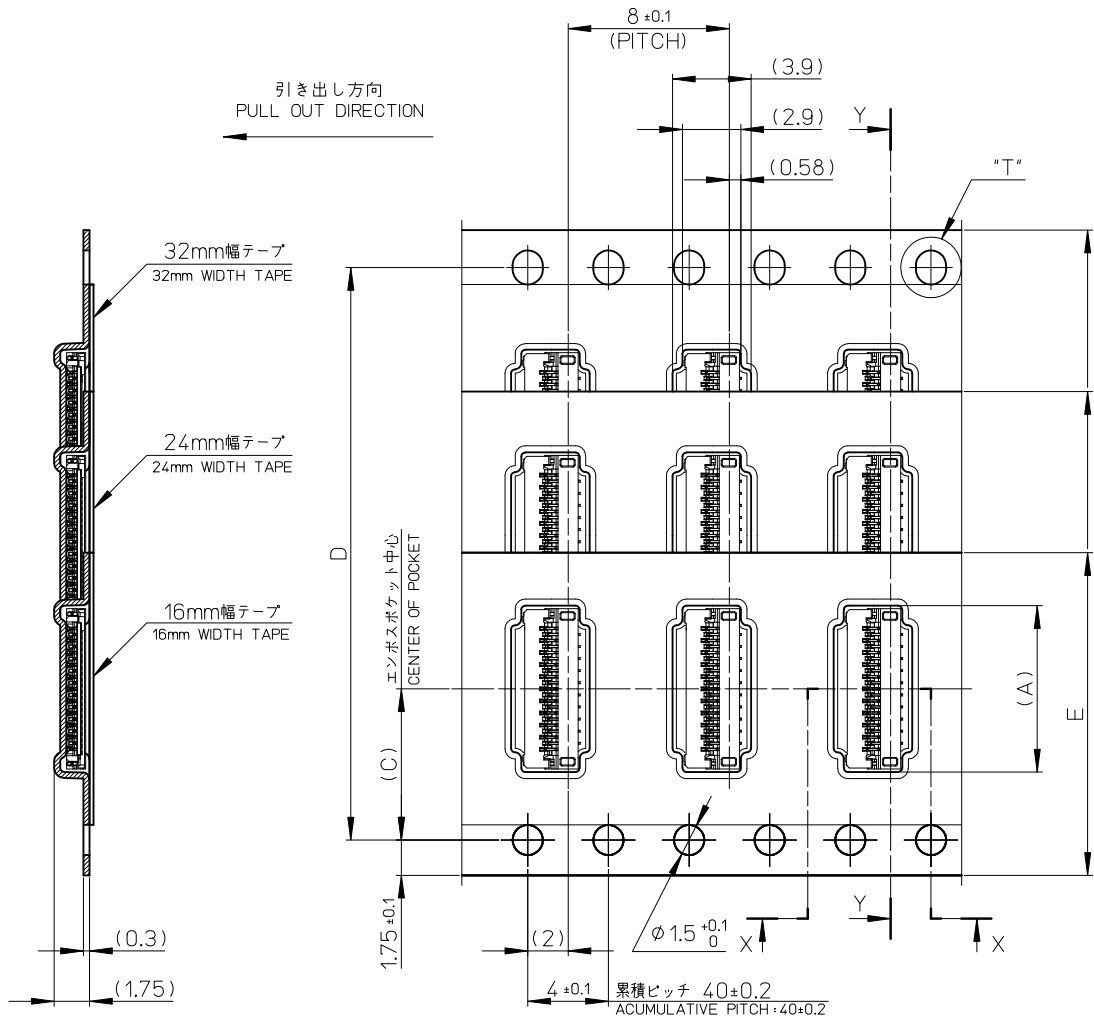
- 製品詳細寸法については図面 SD-503566-001 を参照下さい。  
RE DETAILED DIMENSION, SEE SD-503566-001
- 梱包数量：3000個/リール  
NUMBER OF CONNECTORS : 3000 PCS/REEL
- リードテープ長さ LEAD TAPE LENGTH



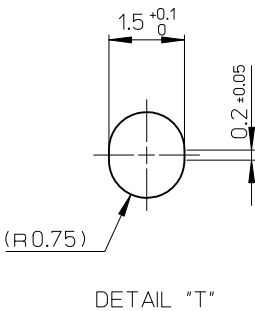
- 材料 MATERIAL  
 キャリアテープ (CARRIER TAPE) : ポリスチレン (POLYSTYRENE)  
 トップテープ (TOP TAPE) : PET , PE , PEF  
 リール (REEL) : ポリスチレン (PS) <リサイクル材を含む>  
 POLYSTYRENE (PS) <RECYCLE MATERIAL CONTAINED>
- トップテープの剝離強度については、IEC60286-3に準拠  
 TOP TAPE PEEL FORCE IS DEFINED BY IEC60286-3.

MODEL NO. 503566-\*\*00

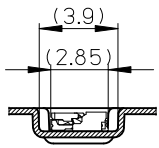
|   |                                       |       |                            |                    |   |                        |                        |  |
|---|---------------------------------------|-------|----------------------------|--------------------|---|------------------------|------------------------|--|
| REVISED<br>EC NO: J2011-1637<br>DRWN: HMIYAMOTO 2011/05/31<br>CHKD: HIJIMA 2011/05/31<br>APPR: KMORIKAWA 2011/06/02 | GENERAL TOLERANCES (UNLESS SPECIFIED) |       | DIMENSION STYLE<br>MM ONLY |                    | SCALE<br>---  | DESIGN UNITS<br>METRIC | THIRD ANGLE PROJECTION |  |
|   | 10 UNDER                              | ±0.2  | DRAWN BY<br>HIJIMA         | DATE<br>2010/05/20 | TITLE<br>0.3 FPC CONN. E/O TAPING PACKAGE (503566-**08 SERIES)  |                        |                        |  |
|   | 10 OVER 30 UNDER                      | ±0.25 | CHECKED BY<br>NMATSUURA    | DATE<br>2010/05/20 | MOLEX INCORPORATED  |                        |                        |  |
|   | 30 OVER                               | ±0.3  | APPROVED BY<br>KMORIKAWA   | DATE<br>2010/06/11 | DOCUMENT NO.<br>SD-503566-002   |                        | SHEET NO.<br>1 OF 2    |  |
|   | ANGULAR ±3 °                          |       | MATERIAL NO.<br>SEE CHART  |                    | THIS DRAWING CONTAINS INFORMATION THAT IS PROPRIETARY TO MOLEX INCORPORATED AND SHOULD NOT BE USED WITHOUT WRITTEN PERMISSION |                        |                        |  |
| DRAFT WHERE APPLICABLE MUST REMAIN WITHIN DIMENSIONS  |                                       |       |                            |                    |   |                        |                        |  |



SECTION Y-Y



DETAIL "T"



SECTION X-X

|                                   |             |      |      |        |   |                |
|-----------------------------------|-------------|------|------|--------|---|----------------|
| 32±0.3                            | 28.4        | 14.2 | 33.4 | 17.25  | 503566-5100                               | 51             |
| 24±0.3                            | —           | 11.5 | 25.4 | 15.45  | 503566-4500                               | 45             |
|                                   |             |      |      | 14.85  | 503566-4300                               | 43             |
|                                   |             |      |      | 14.25  | 503566-4100                               | 41             |
|                                   |             |      |      | 13.65  | 503566-3900                               | 39             |
|                                   |             |      |      | 13.05  | 503566-3700                               | 37             |
|                                   |             |      |      | 12.45  | 503566-3500                               | 35             |
|                                   |             |      |      | 11.85  | 503566-3300                               | 33             |
|                                   |             |      |      | 11.25  | 503566-3100                               | 31             |
|                                   |             |      |      | 10.05  | 503566-2700                               | 27             |
|                                   |             |      |      | 16±0.3 | —   | 7.5            |
| 8.85                              | 503566-2300 | 23   |      |        |   |                |
| 8.25                              | 503566-2100 | 21   |      |        |   |                |
| 7.65                              | 503566-1900 | 19   |      |        |   |                |
| 7.05                              | 503566-1700 | 17   |      |        |   |                |
| 6.45                              | 503566-1500 | 15   |      |        |   |                |
| 5.85                              | 503566-1300 | 13   |      |        |   |                |
| 5.25                              | 503566-1100 | 11   |      |        |   |                |
| 4.65                              | 503566-0900 | 9    |      |        |   |                |
| E キャリアテープ幅<br>EMBOSSED TAPE WIDTH | D           | C    | B    | A      | EMBOSSED TAPE PACKAGE<br>オーダー番号 ORDER NO. | 極数<br>CIRCUITS |

|  |  |       |                            |                    |   |                        |                        |
|--|--|-------|----------------------------|--------------------|---|------------------------|------------------------|
| SEE SHEET 1 OF 2<br>EC NO: J2011-1637<br>DRWN: HMIYAMOTO 2011/05/31<br>CHKD: HIJIMA 2011/05/31<br>APPR: KMORIKAWA 2011/06/02 | GENERAL TOLERANCES (UNLESS SPECIFIED)                |       | DIMENSION STYLE<br>MM ONLY |                    | SCALE<br>---  | DESIGN UNITS<br>METRIC | THIRD ANGLE PROJECTION |
|  | 10 UNDER   | ±0.2  | DRAWN BY<br>HIJIMA         | DATE<br>2010/05/20 | TITLE<br>0.3 FPC CONN. E/O TAPING PACKAGE (503566-**08 SERIES)  |                        |                        |
|  | 10 OVER 30 UNDER                                     | ±0.25 | CHECKED BY<br>NMATSUURA    | DATE<br>2010/05/20 | MOLEX INCORPORATED  |                        |                        |
|  | 30 OVER  | ±0.3  | APPROVED BY<br>KMORIKAWA   | DATE<br>2010/06/11 | DOCUMENT NO.<br>SD-503566-002   | SHEET NO.<br>2 OF 2    |                        |
|  | ANGULAR  | ±3 °  | MATERIAL NO.               | SEE CHART          | THIS DRAWING CONTAINS INFORMATION THAT IS PROPRIETARY TO MOLEX INCORPORATED AND SHOULD NOT BE USED WITHOUT WRITTEN PERMISSION |                        |                        |
| REV  | DRAFT WHERE APPLICABLE MUST REMAIN WITHIN DIMENSIONS |       |                            |                    |   |                        |                        |