

注記 NOTES

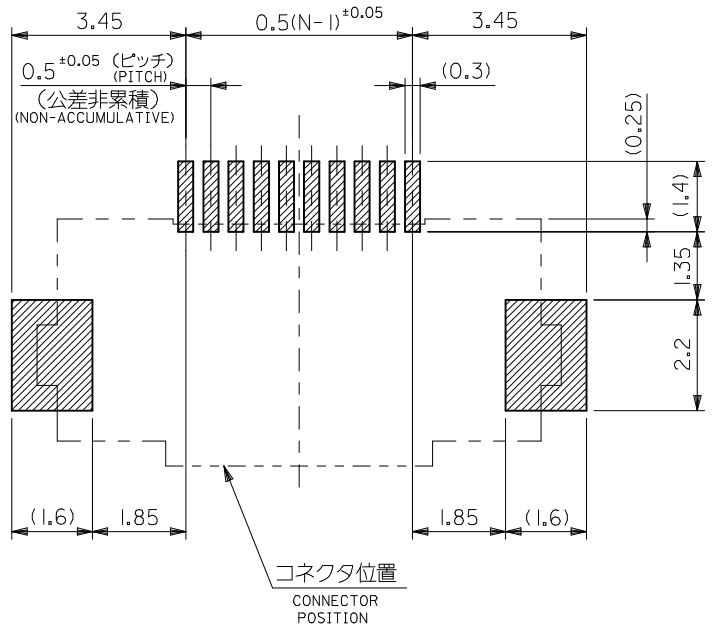
1. 使用材料 MATERIAL
 ハウジング POLYAMIDE46, ガラス充填, UL94V-O (白)
 HOUSING POLYAMIDE46, GLASS FILLED, UL94V-O(WHITE)
 アクチュエータ ポリフェニレンサルファイド, ガラス充填, UL94V-O (茶)
 ACTUATOR POLYPHENYLENE SULFIDE, GLASS FILLED, UL94V-O(BROWN)
 ターミナル リン青銅 (t=0.2)
 TERMINAL PHOSPOR BRONZE
 銅ヒスマズメッキ TIN-BITHMUS I/O MICROMETER MINIMUM
 ニッケル下地 NICKEL(Under PLATING) I/O MICROMETER MINIMUM
 金具 リン青銅 (t=0.2)
 FITTING NAIL PHOSPOR BRONZE
 銅メッキ TIN I/O MICROMETER MINIMUM
 ニッケル下地 NICKEL(Under PLATING) I/O MICROMETER MINIMUM
- △ パターンはくり止め用金具
 FITTING NAIL FOR PREVENTION OF PEELING OF P.C.B. PATTERN.
 △ ソルダータール半田付け面のスレ量、及び金具半田付け面のスレ量は、基準面 Y に対し上方 0.05MAX. 下方 0.2MAX. とし、相互のバツキ量は、0.1MAX. とする。
 MISALIGNMENT OF SOLDER TAILS AND FITTING NAILS FROM Y
 UPPER DIRECTION: 0.05 MAX., LOWER DIRECTION: 0.2 MAX.
 MISALIGNMENT BETWEEN SOLDER TAILS AND FITTING NAILS : 0.1 MAX.
 △ 偶数種に適用。
 APPLY FOR EVEN CIRCUIT.
 △ 1点以上は2ヶ所、10~17種はハウジングセンター上に1ヶ所とする。
 18 CKTS & MORE THAN 18 CKTS PLACED 2 POINT.
 10~17 CKTS PLACED 1 POINT ON HOUSING CENTER.

19.6	15.5	15.3	14.5	52893-3095	52893-3019	30
18.6	14.5	14.3	13.5	-2895	-2819	28
17.6	13.5	13.3	12.5	-2695	-2619	26
16.6	12.5	12.3	11.5	-2495	-2419	24
15.6	11.5	11.3	10.5	-2295	-2219	22
15.1	11.0	10.8	10.0	-2195	-2119	21
14.6	10.5	10.3	9.5	-2095	-2019	20
13.6	9.5	9.3	8.5	-1895	-1819	18
12.6	8.5	8.3	7.5	-1695	-1619	16
12.1	8.0	7.8	7.0	-1595	-1519	15
11.6	7.5	7.3	6.5	-1495	-1419	14
11.1	7.0	6.8	6.0	-1395	-1319	13
10.6	6.5	6.3	5.5	-1295	-1219	12
10.1	6.0	5.8	5.0	-1195	-1119	11
9.6	5.5	5.3	4.5	-1095	-1019	10
8.6	4.5	4.3	3.5	52893-0895	52893-0819	8

注記 NOTES

6. 本製品は 52893-***17 の鉛フリー品である。
 THIS PRODUCT IS LEAD FREE OF 52893-***17.

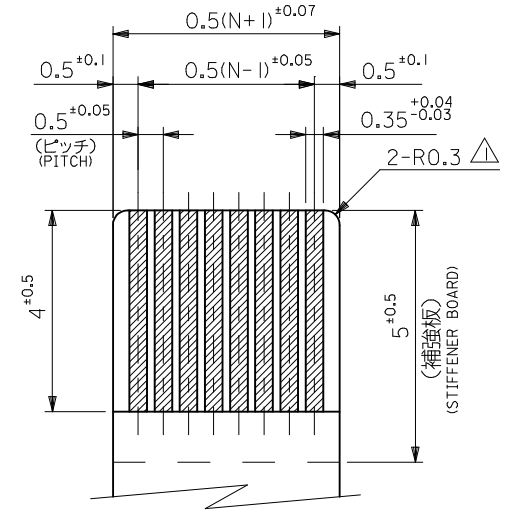
REVISED EC NO: J2016-0623 DRWN:SKITAZAWA 2015/12/11 CHKD:YKOBAYASHI 02/2016/02/15 APPR:TKUSUHARA01 2016/02/17	GENERAL TOLERANCES (UNLESS SPECIFIED)		DIMENSION STYLE MM ONLY		SCALE ---	DESIGN UNITS METRIC	THIRD ANGLE PROJECTION
	0.25 UNDER	UNDER	±0.03	DRAWN BY M. NAGATA	DATE '04/01/09	TITLE 0.5 FPC CONN ASSY ZIF SMT RA BTM CONT E/O TYPE -LEAD FREE-	
	0.25 OVER	0.5 UNDER	±0.05	CHECKED BY K. TOJO	DATE '04/01/09		
	0.5 OVER	1.0 UNDER	±0.1	APPROVED BY M. SASAO	DATE '04/01/09		
	1.0 OVER	10 UNDER	±0.2	MATERIAL NO.	SEE TABLE	DOCUMENT NO. SD-52893-040	SHEET NO. 1 OF 2
10 OVER	30 UNDER	±0.25	THIS DRAWING CONTAINS INFORMATION THAT IS PROPRIETARY TO MOLEX ELECTRONIC TECHNOLOGIES, LLC AND SHOULD NOT BE USED WITHOUT WRITTEN PERMISSION				
30 OVER		±0.3					



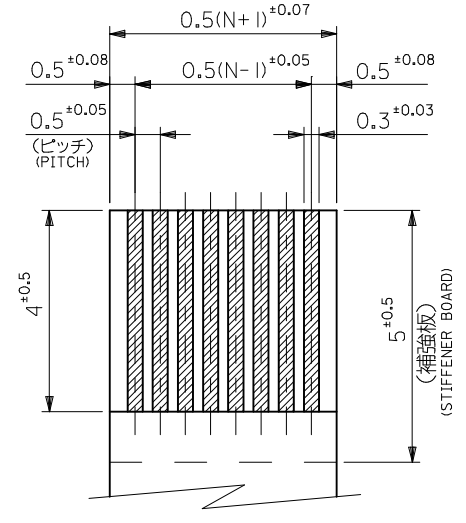
参考基板レイアウト
RECOMMENDED P.C.BOARD
PATTERN DIMENSION (REF.)
(マウント面)
(MOUNTING SIDE)

注記 NOTES

△ R0.3は、FPCの導体部にかからないこと。
R0.3 MUST NOT BE OVERLAPPED TO PATTERN OF FPC.



適合FPC推奨寸法
APPLICABLE FPC
RECOMMENDED DIMENSION
(仕上がり厚さ: 0.3 ±0.03)
(THICKNESS: 0.3 ±0.03)



適合FFC推奨寸法
APPLICABLE FFC
RECOMMENDED DIMENSION
(仕上がり厚さ: 0.3 ±0.03)
(THICKNESS: 0.3 ±0.03)

FPCについて:
打抜き方向は導体側から補強板側を推奨致します。
補強フィルム材質はポリイミドを推奨致します。
接着剤は熱硬化接着剤を推奨致します。

ABOUT FPC:
RECOMMENDED PUNCHER DIRECTION: FROM CONDUCTOR SIDE TO STIFFENER BOARD SIDE.

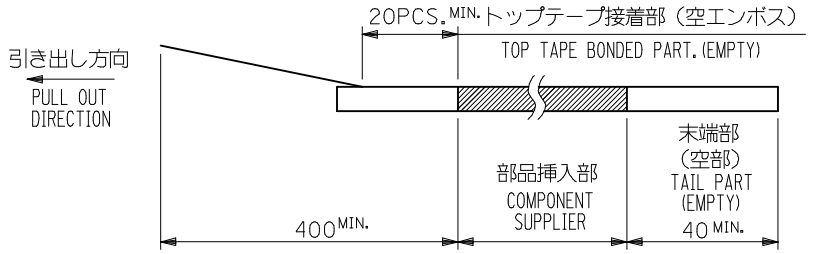
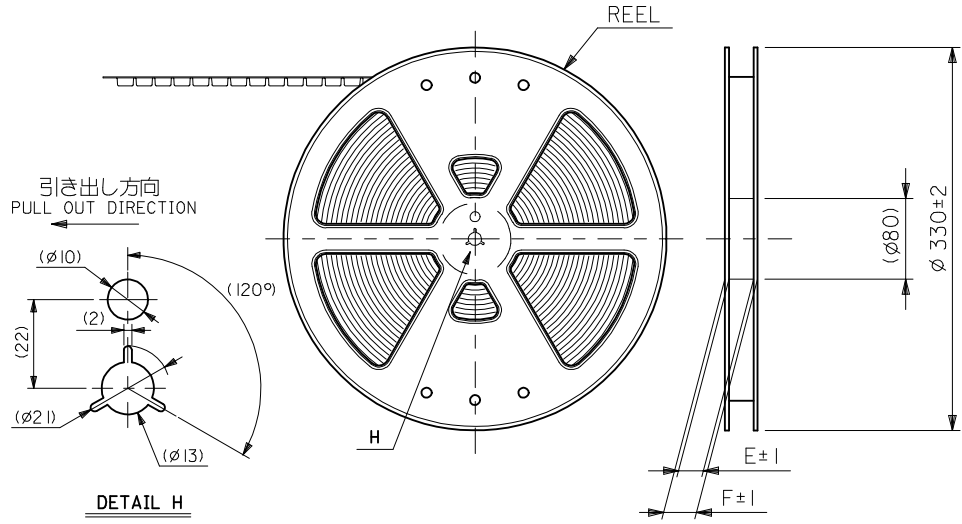
RECOMMENDED MATERIAL:
STIFFENER FILM: POLYIMIDE
BONDING AGENT: THERMOSETTING BONDING AGENT

52893-**-19 MODEL NO.

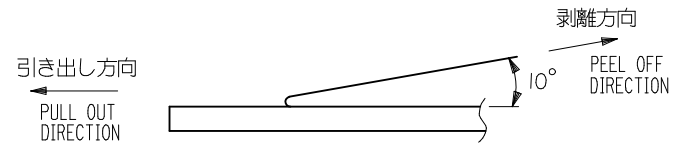
GENERAL TOLERANCES (UNLESS SPECIFIED)			DIMENSION STYLE		SCALE	DESIGN UNITS	THIRD ANGLE PROJECTION	
			MM ONLY		---	METRIC	THIRD ANGLE PROJECTION	
0.25 UNDER	UNDER	±0.03	DRAWN BY	DATE	TITLE			
0.25 OVER	0.5 UNDER	±0.05	M. NAGATA	'04/01/09	0.5 FPC CONN ASSY ZIF			
0.5 OVER	1.0 UNDER	±0.1	CHECKED BY	DATE	SMT RA BTM CONT E/O TYPE			
1.0 OVER	10 UNDER	±0.2	K. TOJO	'04/01/09	-LEAD FREE-			
10 OVER	30 UNDER	±0.25	APPROVED BY	DATE				
30 OVER		±0.3	M. SASAO	'04/01/09				
ANGULAR	±3 °		MATERIAL NO.		DOCUMENT NO.	SHEET NO.		
DRAFT WHERE APPLICABLE MUST REMAIN WITHIN DIMENSIONS			SIZE	SEE SHEET 1		SD-52893-040		2 OF 2
THIS DRAWING CONTAINS INFORMATION THAT IS PROPRIETARY TO MOLEX ELECTRONIC TECHNOLOGIES, LLC AND SHOULD NOT BE USED WITHOUT WRITTEN PERMISSION								

注記 NOTES

- 製品詳細寸法については図面 SD-52893-040 を参照下さい。
RE DETAILED DIMENSION, SEE SD-52893-040
- 梱包数量：1000個/リール
NUMBER OF CONNECTORS : 1000PCS/REEL
- リードテープ長さ LEAD TAPE LENGTH

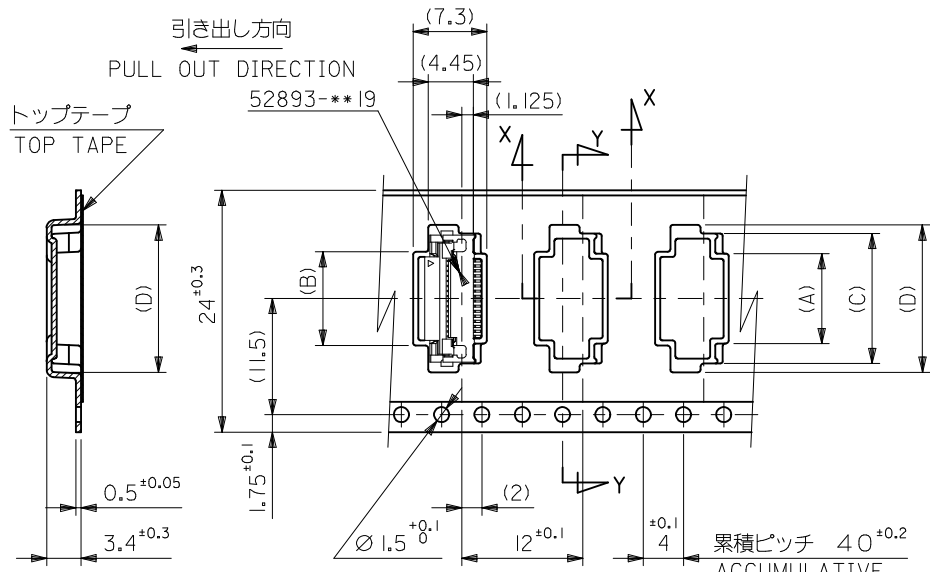


- トップテープの剥離強度：0.1~1.3N/10 ~ 130gf)
(剥離方向は下図参照)
尚、本規格値は出荷時に適用。(但し、輸送時に剥離が発生しないこと。)
PEELING OFF FORCE OF TOP TAPE : 0.1~1.3N/10 ~ 130gf)
(PEELING DIRECTION AS SHOWN IN FOLLOWING FIG.)
THIS REQUIREMENT SHOULD BE APPLIED AT SHIPMENT.
PEEL OFF SHOULD NOT BE ALLOWED , DURING TRANSPORTATION.



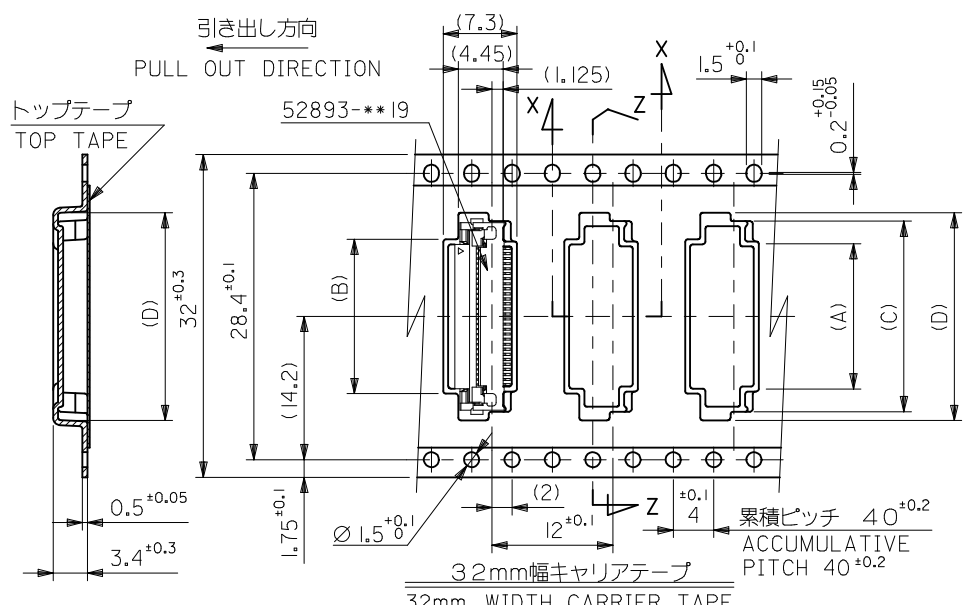
- 材料
キャリアテープ：ポリプロピレン (PP)
トップテープ：PET, PE, PEF
リール：ポリスチレン (PS) <リサイクル材を含む>
MATERIAL CARRIER TAPE:POLYPROPYLENE
TOP TAPE:PET,PE,PEF
REEL:POLYSTYRENE(PS)
<RECYCLE MATERIAL CONTAINED>
- 本製品は 52893-***90 の鉛フリー品である。
THIS PRODUCT IS LEAD FREE OF 52893-***90

REVISED EC NO: J2016-0623 DRWN:SKITAZAWA 2015/12/11 CHKD:YKOBAYASHI 2016/02/15 APPR:TKUSUHARA01 2016/02/17	GENERAL TOLERANCES (UNLESS SPECIFIED)			DIMENSION STYLE MM ONLY		SCALE ---	DESIGN UNITS METRIC	THIRD ANGLE PROJECTION
	0.25 UNDER	UNDER	±0.03	DRAWN BY	DATE	TITLE		
	0.25 OVER	0.5 UNDER	±0.05	M. NAGATA	'04/01/09	0.5 FPC CONN ASSY ZIF		
	0.5 OVER	1.0 UNDER	±0.1	CHECKED BY	DATE	-LEAD FREE-		
	1.0 OVER	10 UNDER	±0.2	K. TOJO	'04/01/09	molex		
	10 OVER	30 UNDER	±0.25	APPROVED BY	DATE	ENTER PART SD-52893-041		
30 OVER		±0.3	MATERIAL NO.		DOCUMENT NO.		SHEET NO.	
	ANGULAR	±3 °	ENTER PART		SD-52893-041		1 OF 2	
	DRAFT WHERE APPLICABLE MUST REMAIN WITHIN DIMENSIONS			SIZE A3	THIS DRAWING CONTAINS INFORMATION THAT IS PROPRIETARY TO MOLEX ELECTRONIC TECHNOLOGIES, LLC AND SHOULD NOT BE USED WITHOUT WRITTEN PERMISSION			



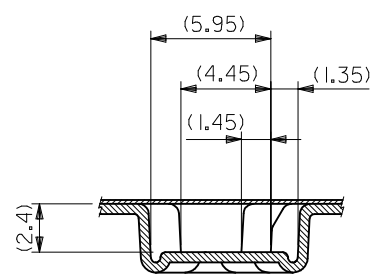
SECT : Y-Y

24mm幅キャリアテープ
24mm WIDTH CARRIER TAPE



SECT : Z-Z

32mm幅キャリアテープ
32mm WIDTH CARRIER TAPE



SECT : X-X

32	37.4	33.4	21.6	19.9	16.1	15.9	52893-3095	30
			20.6	18.9	15.1	14.9	-2895	28
24	29.4	25.4	19.6	17.9	14.1	13.9	-2695	26
			18.6	16.9	13.1	12.9	-2495	24
			17.6	15.9	12.1	11.9	-2295	22
			17.1	15.4	11.6	11.4	-2195	21
			16.6	14.9	11.1	10.9	-2095	20
			15.6	13.9	10.1	9.9	-1895	18
			14.6	12.9	9.1	8.9	-1695	16
			14.1	12.4	8.6	8.4	-1595	15
			13.6	11.9	8.1	7.9	-1495	14
			13.1	11.4	7.6	7.4	-1395	13
12.6	10.9	7.1	6.9	-1295	12			
12.1	10.4	6.6	6.4	-1195	11			
11.6	9.9	6.1	5.9	-1095	10			
10.6	8.9	5.1	4.9	52893-0895	8			
キャリアテープ幅 CARRIER TAPE WIDTH	F	E	(D)	(C)	(B)	(A)	MATERIAL NO.	極数 CIRCUIT

REVISED EC NO: J2016-0623 DRWN:SKITAZAWA 2015/12/11 CHKD:YKOBAYASHI 02/2016/02/15 APPR:TKUSUHARA01 2016/02/17	GENERAL TOLERANCES (UNLESS SPECIFIED)		DIMENSION STYLE MM ONLY		MODEL NO. 52893-***95	SCALE ---	DESIGN UNITS METRIC	THIRD ANGLE PROJECTION
	0.25 UNDER	UNDER	±0.03	DRAWN BY	DATE	TITLE 0.5 FPC CONN ASSY ZIF		
	0.25 OVER	0.5 UNDER	±0.05	M. NAGATA	'04/01/09	-LEAD FREE- molex		
	0.5 OVER	1.0 UNDER	±0.1	CHECKED BY	DATE			
	1.0 OVER	10 UNDER	±0.2	K. TOJO	'04/01/09	DOCUMENT NO. SD-52893-041		
10 OVER	30 UNDER	±0.25	APPROVED BY	DATE	SHEET NO. 2 OF 2			
30 OVER		±0.3	MATERIAL NO. ENTER PART		THIS DRAWING CONTAINS INFORMATION THAT IS PROPRIETARY TO MOLEX ELECTRONIC TECHNOLOGIES, LLC AND SHOULD NOT BE USED WITHOUT WRITTEN PERMISSION			
ANGULAR ±3 °			DRAFT WHERE APPLICABLE MUST REMAIN WITHIN DIMENSIONS		SIZE A3			