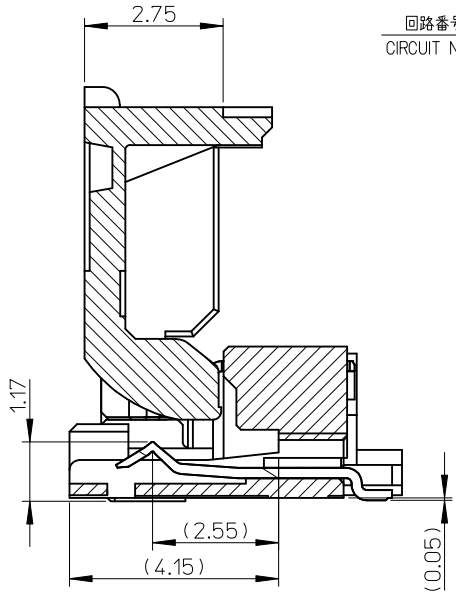
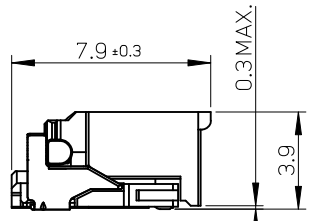
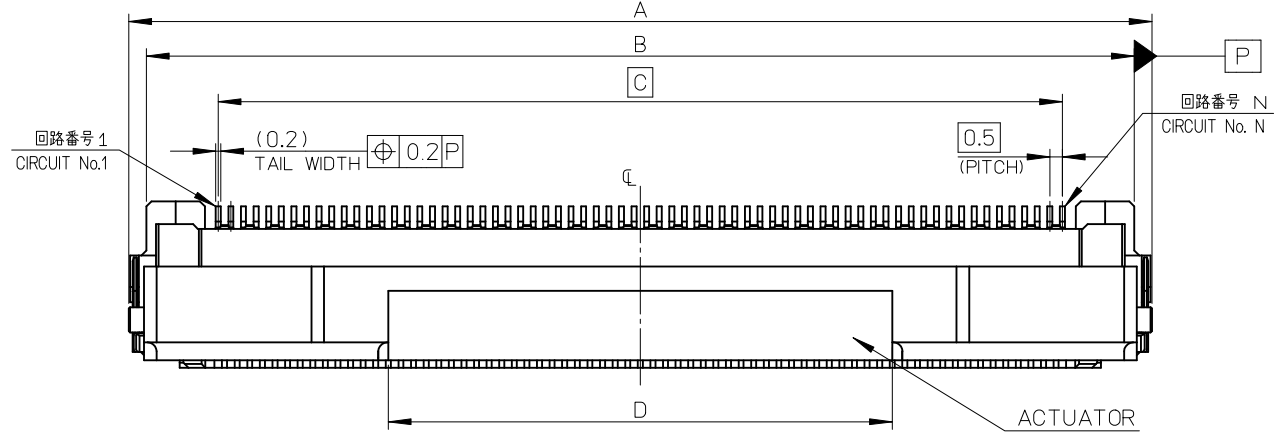


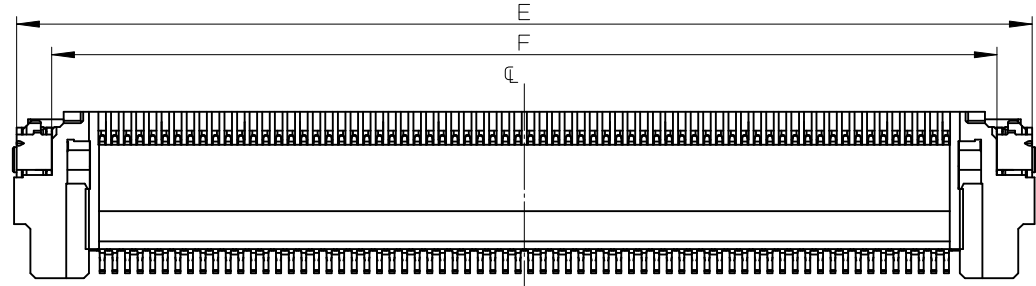
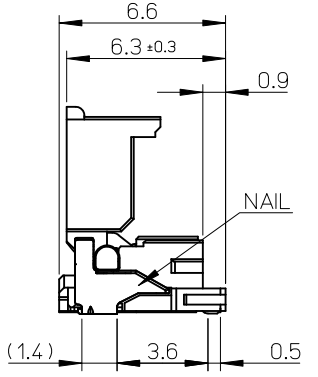
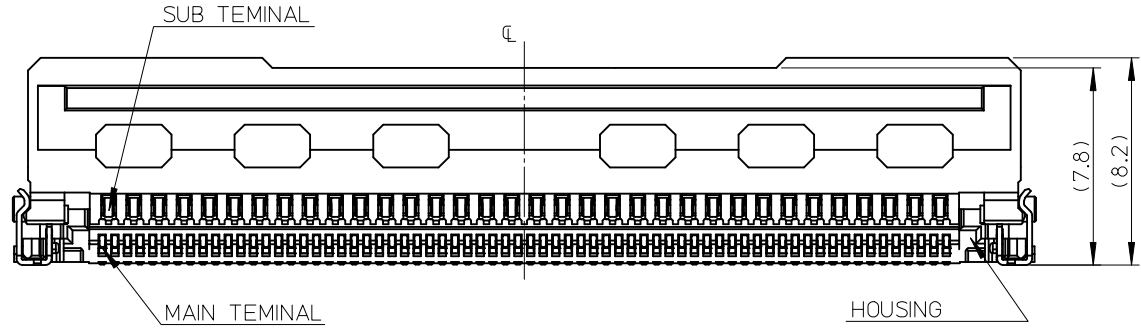
10 9 8 7 6 5 4 3 2 1



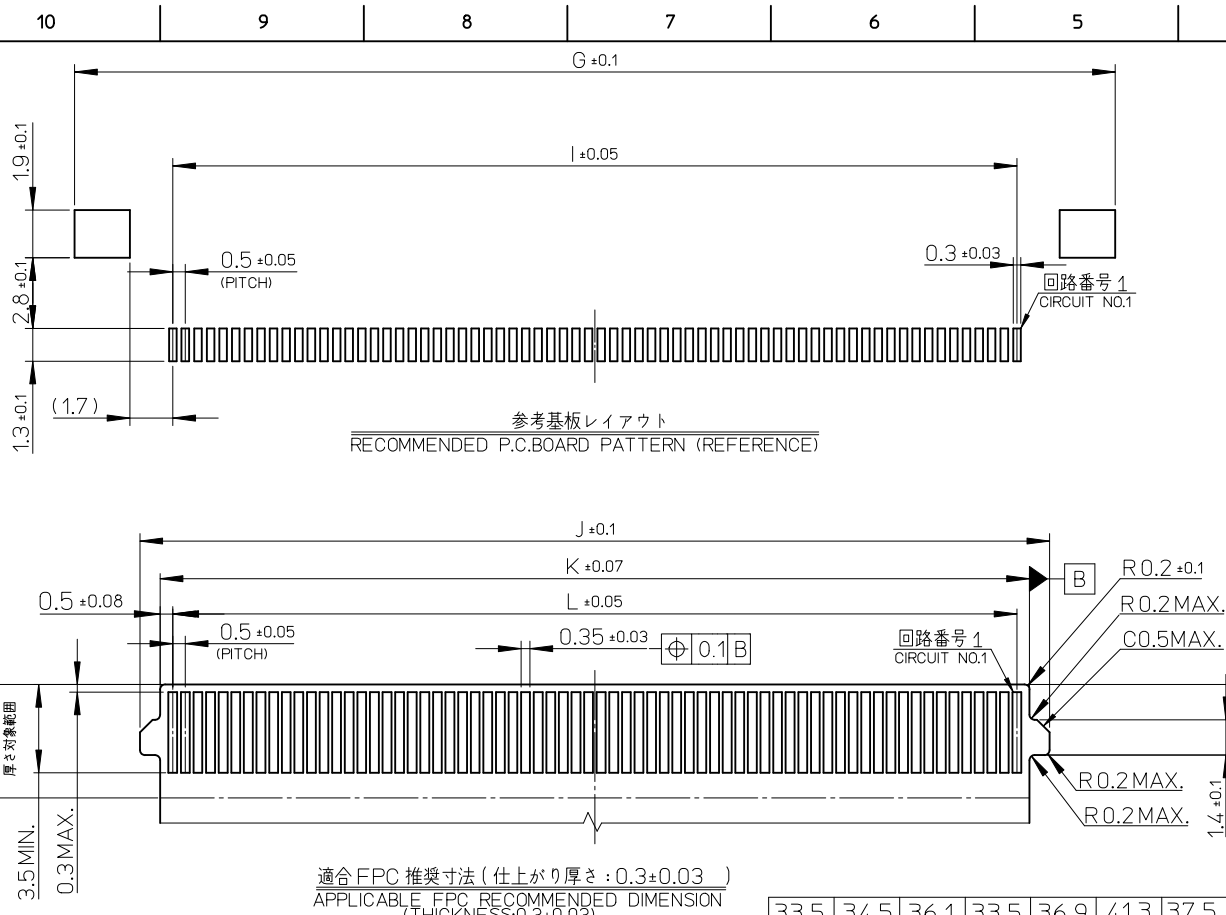
SECTION X-X
Scale 10:1



LOCK POSITION

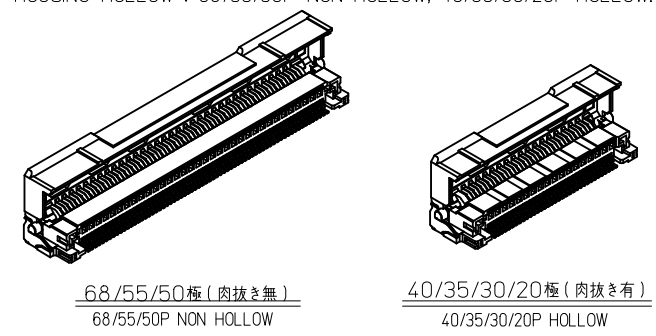


REVISED EC NO: J2010-1375 DRWN: NAITO 2009/12/25 CHKD: MATSUURA 2009/12/25 APPR: KMORIKAWA 2009/12/25	GENERAL TOLERANCES (UNLESS SPECIFIED)		DIMENSION STYLE MM ONLY	SCALE 5:1	DESIGN UNITS METRIC	THIRD ANGLE PROJECTION	
	10 UNDER	± 0.2	DRAWN BY YKOBAYASHI 02	DATE 2008/10/21	TITLE		
	10 OVER 30 UNDER	± 0.25	CHECKED BY KMORIKAWA	DATE 2008/10/21	0.5 FPC CONN. E/O WITH DUST COVER GANG ASSY TYPE MOLEX INCORPORATED		
	30 OVER	± 0.3	APPROVED BY HHRATA	DATE 2008/10/21			
ANGULAR	± 1 °	MATERIAL NO. SEE SHEET 2		DOCUMENT NO. SD-502611-003	SHEET NO. 1 OF 2		
DRAFT WHERE APPLICABLE MUST REMAIN WITHIN DIMENSIONS		THIS DRAWING CONTAINS INFORMATION THAT IS PROPRIETARY TO MOLEX INCORPORATED AND SHOULD NOT BE USED WITHOUT WRITTEN PERMISSION					



PART	MATERIAL
ハウジング HOUSING	ガラス入り耐熱樹脂、UL94-V0 GLASS FILLED HEAT RESISTANCE POLYMER, UL94-V0
アクチュエータ ACTUATOR	ガラス入り耐熱樹脂、UL94-V0 GLASS FILLED HEAT RESISTANCE POLYMER, UL94-V0
メインターミナル MAIN TERMINAL	銅合金、金めっき、下地ニッケルめっき COPPER ALLOY, GOLD(AU) PLATING, NICKEL UNDER PLATING
サブターミナル SUB TERMINAL	銅合金、錫めっき COPPER ALLOY, TIN PLATING
ネイル NAIL	銅合金、錫めっき COPPER ALLOY, TIN PLATING

- NOTES**
- 適用電線 (FPC) の厚さは0.3mm
APPLICABLE CABLE (FPC) TO BE 0.3mm IN THICKNESS.
 - アクチュエータの穴位置、数は任意のこと。
TO BE CHANGED POSITIONS AND QUANTITY OF ACTUATOR HOLES.
 - ELV及びRoHS適合品
ELV AND RoHS COMPLIANT
 - ハウジング天面肉抜きの有無: 68/55/50極: 無 40/35/30/20極: 有
HOUSING HOLLOW: 68/55/50P NON HOLLOW, 40/35/30/20P HOLLOW.

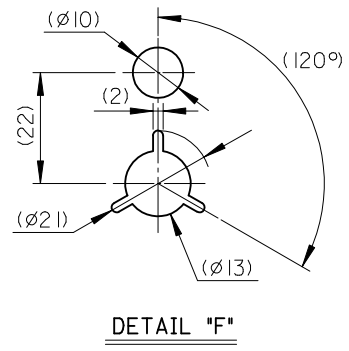
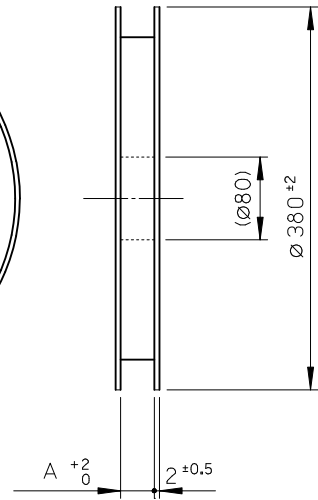
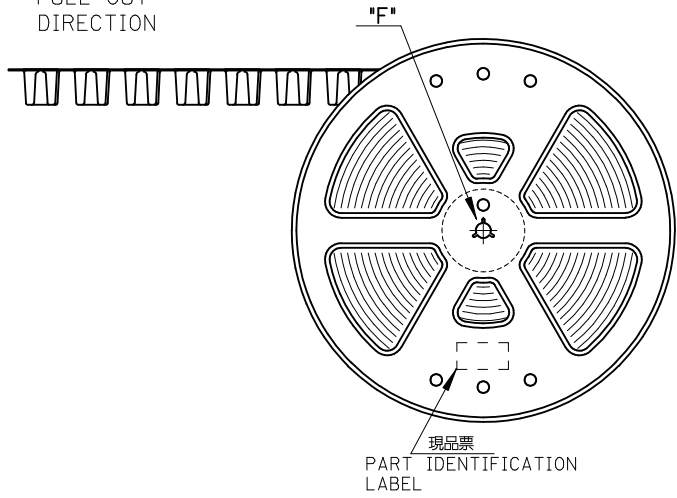


適合 FPC 推奨寸法 (仕上がり厚さ: 0.3±0.03)
APPLICABLE FPC RECOMMENDED DIMENSION
(THICKNESS: 0.3±0.03)

33.5	34.5	36.1	33.5	36.9	41.3	37.5	40.3	20	33.5	39.2	40.6	502611-6821	502611-6829	68
27.0	28.0	29.6	27.0	30.4	34.8	31.0	33.8	20	27.0	32.7	34.1	502611-5521	502611-5529	55
19.5	20.5	22.1	19.5	22.9	27.3	23.5	26.3	10	19.5	25.2	26.6	502611-4021	502611-4029	40
17.0	18.0	19.6	17.0	20.4	24.8	21.0	23.8	10	17.0	22.7	24.1	502611-3521	502611-3529	35
14.5	15.5	17.1	14.5	17.9	22.3	18.5	21.3	10	14.5	20.2	21.6	502611-3021	502611-3029	30
9.5	10.5	12.1	9.5	12.9	17.3	13.5	16.3	5	9.5	15.2	16.6	502611-2021	502611-2029	20
L	K	J	I	H	G	F	E	D	C	B	A	EMBOSSED TAPE		
												ORDER NO. オーダー番号	MATERIAL NO.	CIRCUITS

SEE SHEET 1 EC NO.: J2010-1375 DRWN: NAITO 2009/12/25 CHKD: MATSUURA 2009/12/25 APP: KMORIKAWA 2009/12/25	GENERAL TOLERANCES (UNLESS SPECIFIED)				DIMENSION STYLE MM ONLY		SCALE --	DESIGN UNITS METRIC		THIRD ANGLE PROJECTION	
	10 UNDER		±0.2		DRAWN BY YKOBAYASHI	DATE 02 2008/10/21	TITLE 0.5 FPC CONN. E/O WITH DUST COVER GANG ASSY TYPE				
	10 OVER 30 UNDER		±0.25		CHECKED BY KMORIKAWA	DATE 2008/10/21	MOLEX INCORPORATED				
	30 OVER		±0.3		APPROVED BY HHRATA	DATE 2008/10/21					
ANGULAR ±1 °				DRAFT WHERE APPLICABLE MUST REMAIN WITHIN DIMENSIONS		MATERIAL NO. SEE CHART		DOCUMENT NO. SD-502611-003		SHEET NO. 2 OF 2	
THIS DRAWING CONTAINS INFORMATION THAT IS PROPRIETARY TO MOLEX INCORPORATED AND SHOULD NOT BE USED WITHOUT WRITTEN PERMISSION											

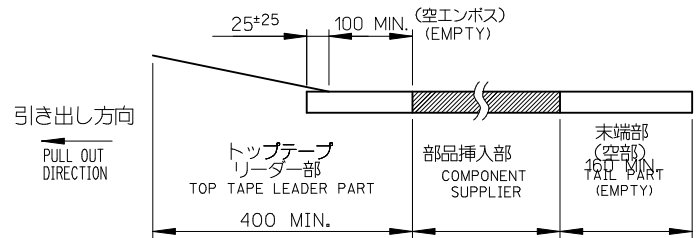
引き出し方向
PULL OUT
DIRECTION



NOTES

1. 梱包数量：800個/リール
NUMBER OF CONNECTORS : 800PCS/REEL
2. リードテープ長さ
LEAD TAPE LENGTH

トップテープ 未接着部
TOP TAPE NON-BONDED PART



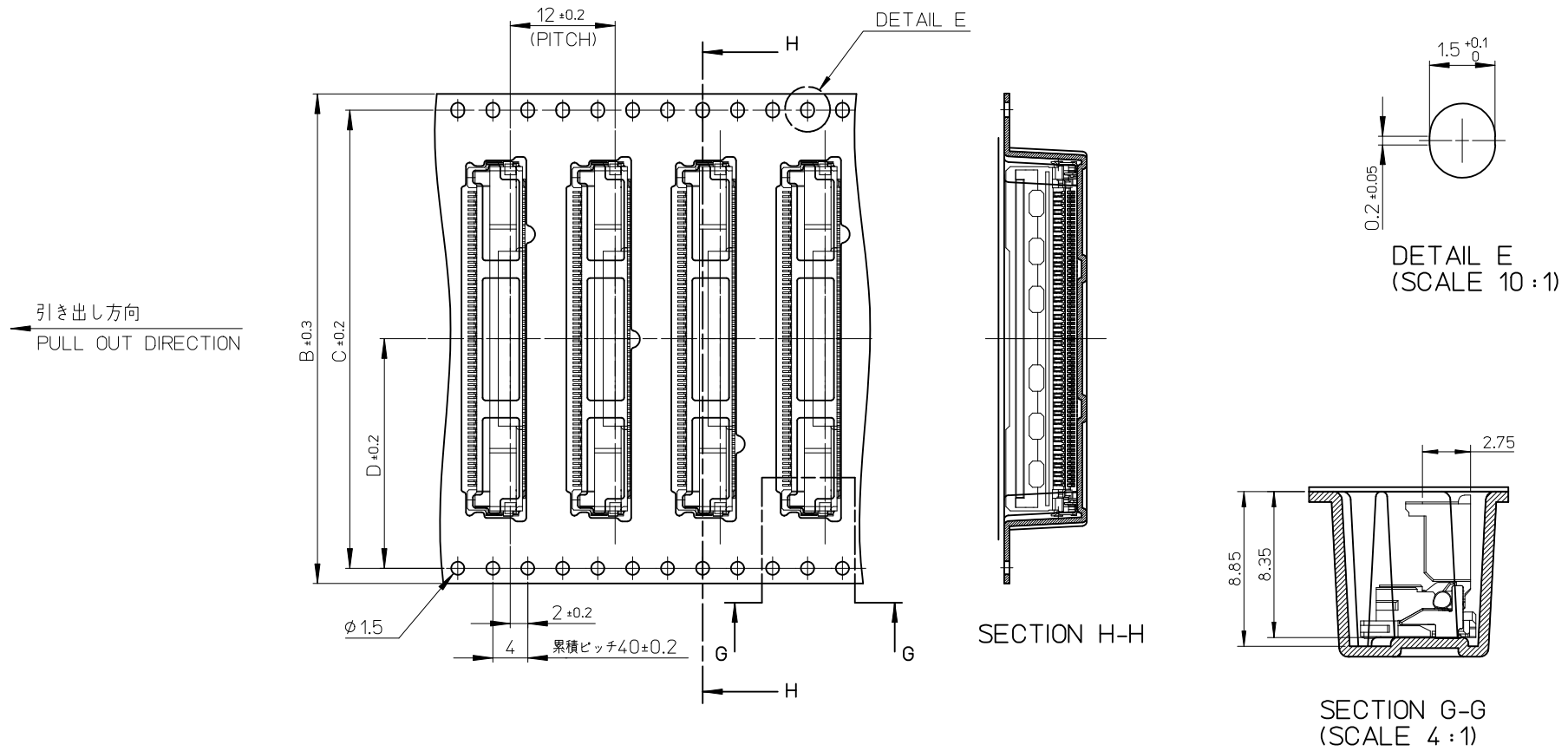
3. 材料 キャリアテープ：ポリプロピレン (PP)
トップテープ：PET、PE、PEF
リール：ポリスチレン (PS) <リサイクル材を含む>

MATERIAL CARRIER TAPE ; POLYPROPYLENE
TOP TAPE ; PET,PE,PEF
REEL ; POLYSTYREN(PS) <RECYCLE MATERIAL CONTAINED>

4. 欠損無きこと。
THERE MUST NOT BE LOSS.
5. ELV 及びRoHS適合品
ELV AND RoHS COMPLIANT

26.2	52.4	56	57.4	502611-6829	502611-6821	68
26.2	52.4	56	57.4	502611-5529	502611-5521	55
20.2	40.4	44	45.4	502611-4029	502611-4021	40
20.2	40.4	44	45.4	502611-3529	502611-3521	35
20.2	40.4	44	45.4	502611-3029	502611-3021	30
20.2	40.4	44	45.4	502611-2029	502611-2021	20
D	C	B	A	製品番号 (コネクタ) CONNECTOR NO.	製品番号 (エンボス梱包) MATERIAL NO.	極数 CIRCUIT

REVISED EC NO: J2010-1375 DRWN:NAITO 2009/12/25 CHKD:MATSUURA 2009/12/25 APPR:KMORIKAWA 2009/12/25	DESCRIPTION	GENERAL TOLERANCES (UNLESS SPECIFIED)		DIMENSION STYLE MM ONLY		SCALE 1:1	DESIGN UNITS METRIC	THIRD ANGLE PROJECTION	
		10 UNDER	±0.2	DRAWN BY YKOBAYASHI	DATE 02 2008/10/21	TITLE 0.5 FPC CONN. E/O WITH DUST COVER EMBSTP PKG			
		10 OVER 30 UNDER	±0.25	CHECKED BY KMORIKAWA	DATE 2008/10/21	MOLEX INCORPORATED			
		30 OVER	±0.3	APPROVED BY HHRATA	DATE 2008/10/21	MATERIAL NO. SEE CHART		DOCUMENT NO. SD-502611-004	SHEET NO. 1 OF 2
REV	DESCRIPTION	ANGULAR ±1 ° DRAFT WHERE APPLICABLE MUST REMAIN WITHIN DIMENSIONS		THIS DRAWING CONTAINS INFORMATION THAT IS PROPRIETARY TO MOLEX INCORPORATED AND SHOULD NOT BE USED WITHOUT WRITTEN PERMISSION					



引き出し方向
PULL OUT DIRECTION

SECTION H-H

SECTION G-G
(SCALE 4 : 1)

DETAIL E
(SCALE 10 : 1)

SEE SHEET 1 EC NO.: J2010-1375 DRWN: NAITO 2009/12/25 CHK'D: MATSUURA 2009/12/25 APPR: KMORIKAWA 2009/12/25	GENERAL TOLERANCES (UNLESS SPECIFIED)		DIMENSION STYLE MM ONLY	SCALE 2:1	DESIGN UNITS METRIC	THIRD ANGLE PROJECTION
	10 UNDER	± 0.2	DRAWN BY YKOBAYASHI 02	DATE 2008/10/21	TITLE 0.5 FPC CONN. E/O WITH DUST COVER EMBSTP PKG	
	10 OVER 30 UNDER	± 0.25	CHECKED BY KMORIKAWA	DATE 2008/10/21	MOLEX INCORPORATED	
	30 OVER	± 0.3	APPROVED BY HHRATA	DATE 2008/10/21		
ANGULAR	± 1 °	MATERIAL NO. SEE SHEET 1		DOCUMENT NO. SD-502611-004	SHEET NO. 2 OF 2	
DRAFT WHERE APPLICABLE MUST REMAIN WITHIN DIMENSIONS		SIZE A3	THIS DRAWING CONTAINS INFORMATION THAT IS PROPRIETARY TO MOLEX INCORPORATED AND SHOULD NOT BE USED WITHOUT WRITTEN PERMISSION			