

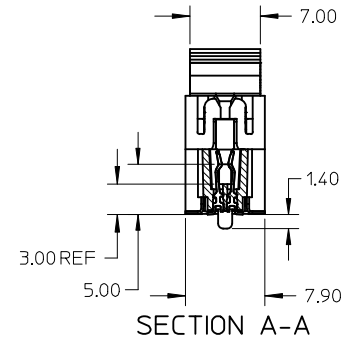
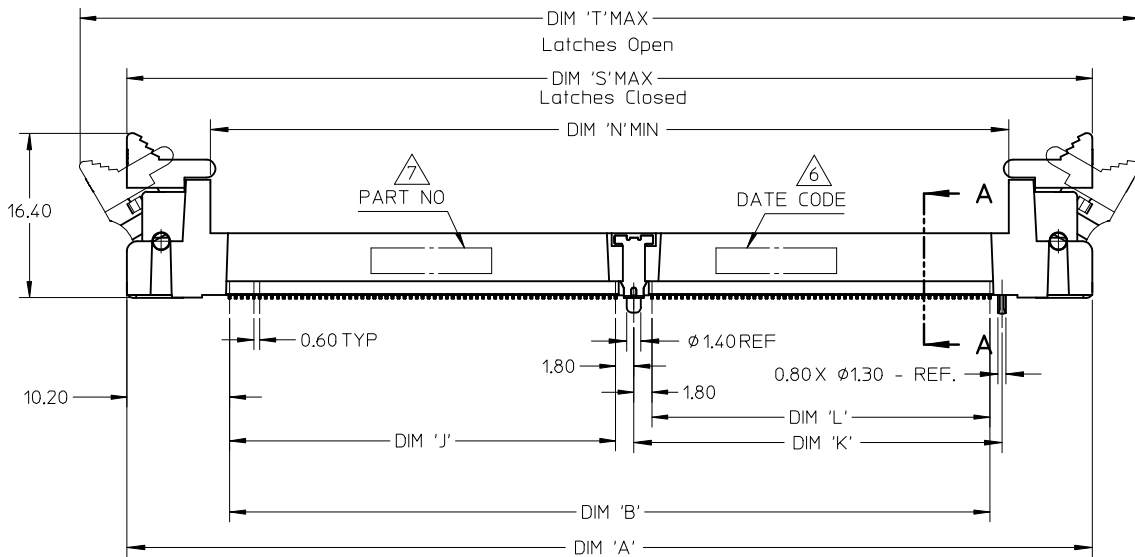
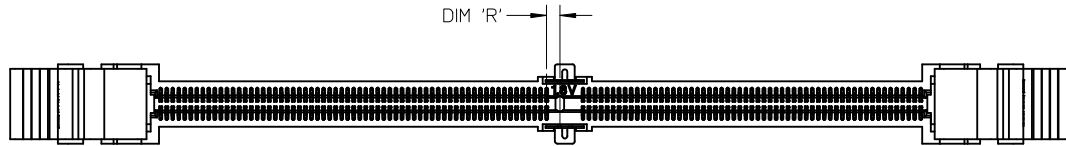
NOTES :

1. MATERIAL :
 HOUSING : LIQUID CRYSTAL POLYMER, GLASS FILLED,
 UL 94V-0, COLOUR : BLACK
 CONTACTS : COPPER ALLOY
 LATCHES : HIGH TEMPERATURE NYLON, UL 94V-0
 COLOUR : NATURAL (OFF-WHITE)

2. FINISH
 CONTACT AREA : 0.76 MICROMETER (30 MICROINCH) MIN GOLD OVER
 1.25 MICROMETER (50 MICROINCH) MIN NICKEL
 SMT TAIL : 2.54 MICROMETER (100 MICROINCH) MIN TIN OVER
 1.25 MICROMETER (50 MICROINCH) MIN NICKEL.
3. ACCEPTS 1.0 mm THICK MEMORY MODULE PER JEDEC MO-244
 FOR 244 CKTS AND MO-258 FOR 200 CKTS.
4. PRODUCT SPECIFICATION : PS-87782-027
5. PRODUCT SHALL BE PACKED IN TRAY. PLS REFER TO SHEET 5

6. DATE CODE SHALL BE MARKED LEGIBLY AS SHOWN : YYDD

7. PART NUMBER SHALL BE MARKED LEGIBLY AS SHOWN.
 87782-XXXX (REFER TO TABLE)



UPDATE DIMENSION EC NO: S2013-0123 DRW: EKS0H CHKD: CGTAN APPR: SILENI 2012/09/05 2012/09/12 2012/09/18	QUALITY SYMBOLS ▽=0 ◻=0	GENERAL TOLERANCES (UNLESS SPECIFIED)		DIMENSION STYLE MM ONLY		SCALE NTS	DESIGN UNITS METRIC	THIRD ANGLE PROJECTION		
			mm	INCH	DRAWN BY MLONG	DATE 2003/01/07	TITLE MINI DIMM, 0.60MM PITCH 200/244 CKTS, VERTICAL			
		4 PLACES	± ---	± ---	CHECKED BY PTL IM	DATE 2003/07/16	MOLEX INCORPORATED DOCUMENT NO. SD-87782-001 SHEET NO. 1 OF 5			
		3 PLACES	± ---	± ---	APPROVED BY SKTOH	DATE 2003/07/17				
2 PLACES	± 0.13	± ---	DRAFT WHERE APPLICABLE MUST REMAIN WITHIN DIMENSIONS		SEE TABLE		THIS DRAWING CONTAINS INFORMATION THAT IS PROPRIETARY TO MOLEX INCORPORATED AND SHOULD NOT BE USED WITHOUT WRITTEN PERMISSION			
1 PLACE	± 0.25	± ---	ANGULAR ± 1 °		SIZE A3					

