

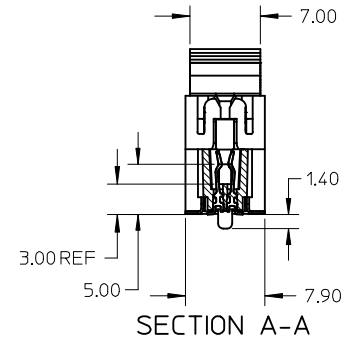
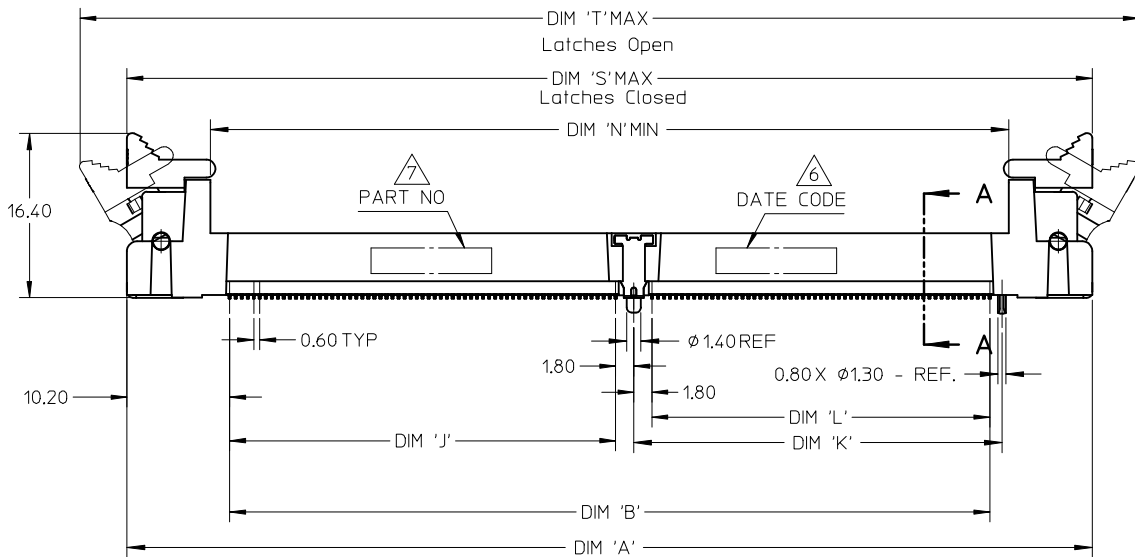
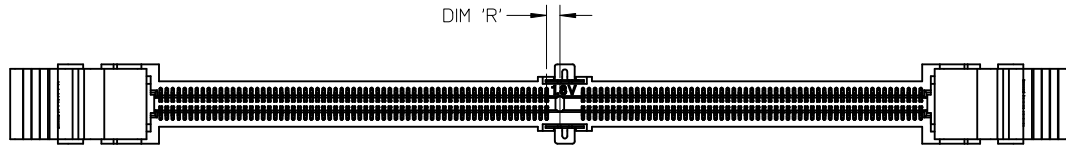
NOTES :

1. MATERIAL :  
 HOUSING : LIQUID CRYSTAL POLYMER, GLASS FILLED,  
 UL 94V-0, COLOUR : BLACK  
 CONTACTS : COPPER ALLOY  
 LATCHES : HIGH TEMPERATURE NYLON, UL 94V-0  
 COLOUR : NATURAL (OFF-WHITE)

2. FINISH  
 CONTACT AREA : 0.76 MICROMETER (30 MICROINCH) MIN GOLD OVER  
 1.25 MICROMETER (50 MICROINCH) MIN NICKEL  
 SMT TAIL : 2.54 MICROMETER (100 MICROINCH) MIN TIN OVER  
 1.25 MICROMETER (50 MICROINCH) MIN NICKEL.
3. ACCEPTS 1.0 mm THICK MEMORY MODULE PER JEDEC MO-244  
 FOR 244 CKTS AND MO-258 FOR 200 CKTS.
4. PRODUCT SPECIFICATION : PS-87782-027
5. PRODUCT SHALL BE PACKED IN TRAY. PLS REFER TO SHEET 5

6. DATE CODE SHALL BE MARKED LEGIBLY AS SHOWN : YYDD

7. PART NUMBER SHALL BE MARKED LEGIBLY AS SHOWN.  
 87782-XXXX (REFER TO TABLE)



UPDATE DIMENSION EC NO: S2013-0123 DRW: EKS0H CHKD: CGTAN APPR: SILENI	2012/09/05 2012/09/12 2012/09/18	DESCRIPTION G3	QUALITY SYMBOLS ▽=0 ◻=0	GENERAL TOLERANCES (UNLESS SPECIFIED)		DIMENSION STYLE MM ONLY		SCALE NTS	DESIGN UNITS METRIC	THIRD ANGLE PROJECTION			
					mm	INCH	DRAWN BY MLONG	DATE 2003/01/07	TITLE MINI DIMM, 0.60MM PITCH 200/244 CKTS, VERTICAL				
				4 PLACES	± ---	± ---	CHECKED BY PTL IM	DATE 2003/07/16	MOLEX INCORPORATED DOCUMENT NO. SD-87782-001 SHEET NO. 1 OF 5				
				3 PLACES	± ---	± ---	APPROVED BY SKTOH	DATE 2003/07/17					
2 PLACES	± 0.13	± ---	DRAFT WHERE APPLICABLE MUST REMAIN WITHIN DIMENSIONS		SEE TABLE		THIS DRAWING CONTAINS INFORMATION THAT IS PROPRIETARY TO MOLEX INCORPORATED AND SHOULD NOT BE USED WITHOUT WRITTEN PERMISSION						
1 PLACE	± 0.25	± ---			ANGULAR ± 1 °								

10 9 8 7 6 5 4 3 2 1

F

E

D

C

B

A

F

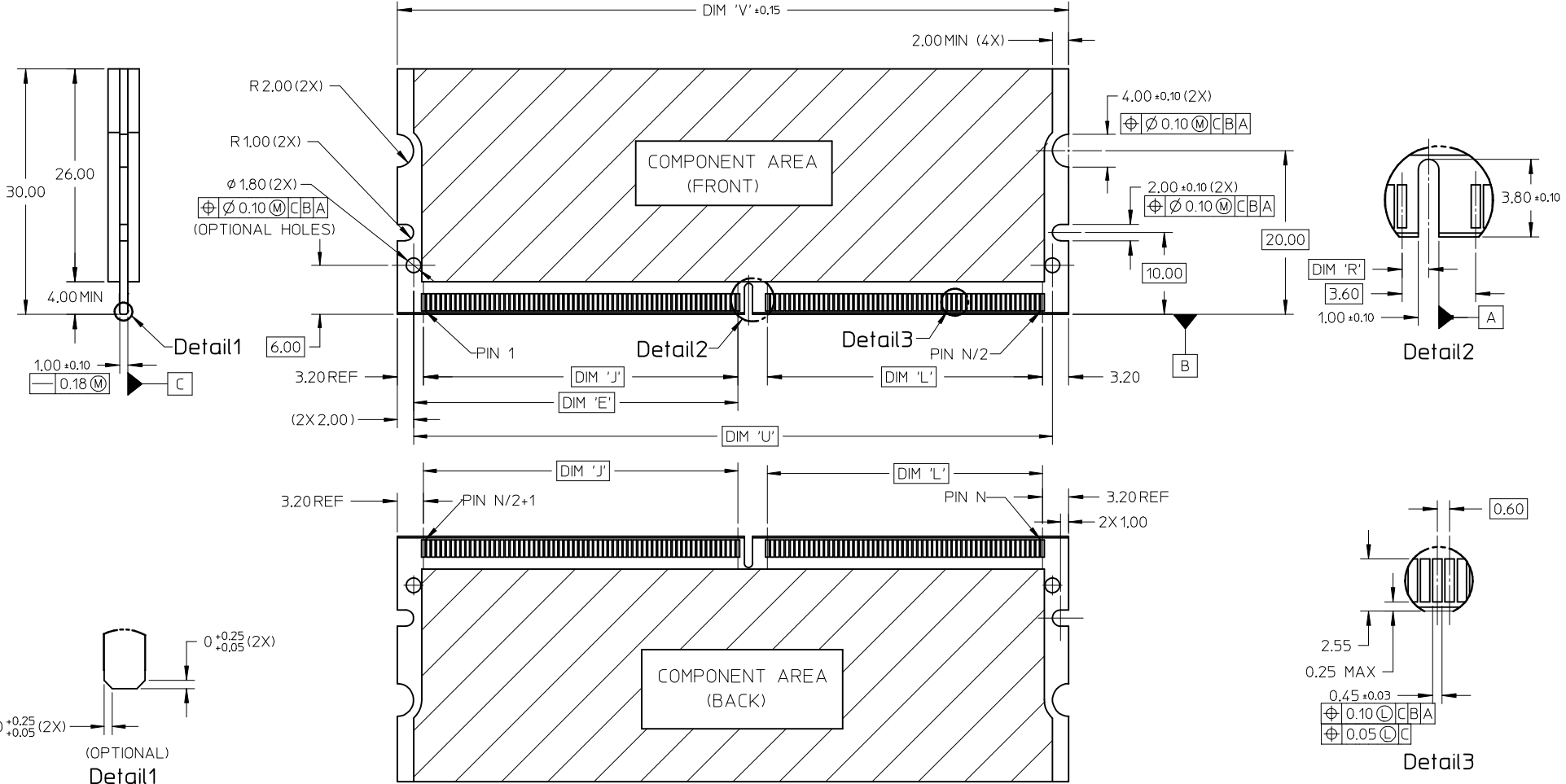
E

D

C

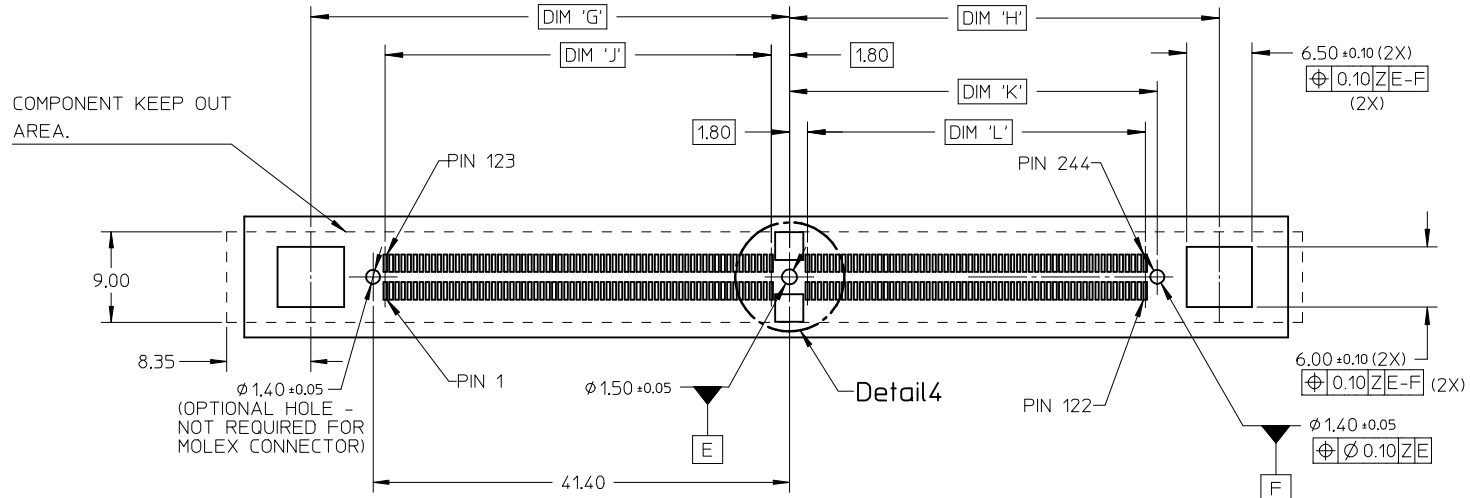
B

A

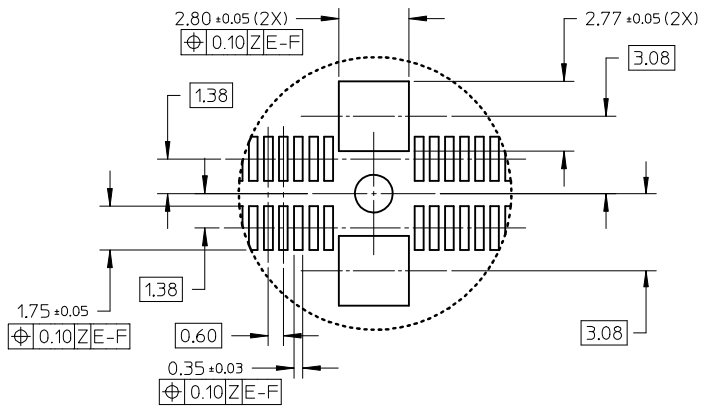


<b>UPDATE DIMENSION</b> IEC NO: S2013-0123 DRW:NEKSOH CHKD:CGTAN APPR:SHLENI 2012/09/05 2012/09/12 2012/09/18	<b>QUALITY SYMBOLS</b>  	<b>GENERAL TOLERANCES (UNLESS SPECIFIED)</b>		<b>DIMENSION STYLE</b> <b>MM ONLY</b>		<b>SCALE</b> NTS	<b>DESIGN UNITS</b> METRIC	<b>THIRD ANGLE PROJECTION</b>			
		4 PLACES ± --- ± ---	mm INCH	DRAWN BY MLONG	DATE 2003/01/07	<b>TITLE</b> MINI DIMM, 0.60MM PITCH 200/244 CKTS, VERTICAL					
		3 PLACES ± --- ± ---		CHECKED BY PTLIM	DATE 2003/07/16	<b>MOLEX INCORPORATED</b>					
		2 PLACES ± 0.13 ± ---		APPROVED BY SKTOH	DATE 2003/07/17	MATERIAL NO. <b>SEE TABLE</b>	DOCUMENT NO. SD-87782-001	SHEET NO. 2 OF 5			
1 PLACE ± 0.25 ± ---		ANGULAR ± 1 °		THIS DRAWING CONTAINS INFORMATION THAT IS PROPRIETARY TO MOLEX INCORPORATED AND SHOULD NOT BE USED WITHOUT WRITTEN PERMISSION							
<b>DRAFT WHERE APPLICABLE MUST REMAIN WITHIN DIMENSIONS</b>											

9 8 7 6 5 4 3 2 1



RECOMMENDED PCB LAYOUT


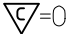
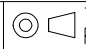


Detail 4

UPDATE DIMENSION EC NO: S2013-0123 DRW:KSOH CHKD:CGTAN APPR:SHLENI	REV DESCRIPTION 2012/09/05 2012/09/12 2012/09/18	QUALITY SYMBOLS	GENERAL TOLERANCES (UNLESS SPECIFIED)	DIMENSION STYLE	SCALE	DESIGN UNITS	THIRD ANGLE PROJECTION	
		$\nabla = 0$ $\text{C} = 0$	mm    INCH 4 PLACES ± --- ± --- 3 PLACES ± --- ± --- 2 PLACES ± 0.13 ± --- 1 PLACE ± 0.25 ± --- ANGULAR ± 1 °	MM ONLY	NTS	METRIC		
			DRAFT WHERE APPLICABLE MUST REMAIN WITHIN DIMENSIONS	DRAWN BY: MLONG    DATE: 2003/01/07 CHECKED BY: PTLIM    DATE: 2003/07/16 APPROVED BY: SKTOH    DATE: 2003/07/17 MATERIAL NO.	TITLE	MINI DIMM, 0.60MM PITCH 200/244 CKTS, VERTICAL		
				SEE TABLE	MOLEX INCORPORATED DOCUMENT NO. SD-87782-001			SHEET NO. 3 OF 5



	10	9	8	7	6	5	4	3	2	1										
F	CKT SIZE 'N'	PART NUMBER	MODULE CARD	VOLTAGE KEY	DIM 'R'	DIM 'J'	DIM 'K'	DIM 'L'	DIM 'N'	DIM 'A'	DIM 'S'	DIM 'T'	DIM 'E'	DIM 'U'	DIM 'V'	DIM 'G'	DIM 'H'	DIM 'B'	COVER	PACKAGING SPECIFICATION
	244	87782-2001	DDR2	1.8 V	1.30	38.40	36.60	33.60	79.00	96.0	96.0	106.20	39.60	78.00	82.00	47.60	42.75	75.60	NIL	PK-87782-004
	244	87782-2003	DDR2	1.8 V	1.30	38.40	36.60	33.60	79.00	96.0	96.0	106.20	39.60	78.00	82.00	47.60	42.75	75.60	YES	PK-87782-005
		87782-3003	DDR3	1.5 V	2.30															
E	244	87782-2005	DDR2	1.8 V	1.30	38.40	36.60	33.60	79.00	96.0	96.0	106.20	39.60	78.00	82.00	47.60	42.75	75.60	YES	PK-87782-004
		87782-3005	DDR3	1.5 V	2.30															
	244	87782-2007	DDR2	1.8 V	1.30	38.40	36.60	33.60	79.00	96.0	96.0	106.20	39.60	78.00	82.00	47.60	42.75	75.60	YES	PK-87782-006
		87782-3007	DDR3	1.5 V	2.30															
D	244	87782-2009	DDR2	1.8 V	1.30	38.40	36.60	33.60	79.00	96.0	96.0	106.20	39.60	78.00	82.00	47.60	42.75	75.60	YES	PK-87782-002
		87782-3009	DDR3	1.5 V	2.30															
	200	87782-2201	DDR2	1.8 V	1.30	23.40	38.40	35.40	65.80	82.8	82.8	93.00	24.60	64.80	68.80	32.60	44.55	62.40	NIL	PK-87782-003
		87782-2202	DDR	2.5 V	2.30															
	200	87782-2203	DDR2	1.8 V	1.30	23.40	38.40	35.40	65.80	82.8	82.8	93.00	24.60	64.80	68.80	32.60	44.55	62.40	YES	PK-87782-003
C		87782-2204	DDR	2.5 V	2.30															
	244	87782-6001	DDR2	1.8 V	1.30	38.40	36.60	33.60	79.00	96.0	96.0	106.20	39.60	78.00	82.00	47.60	42.75	75.60	YES	PK-87782-001
		87782-6003	DDR3	1.5 V	2.30															

<b>UPDATE DIMENSION</b> EC NO: S2013-0123 DRW: KEKSOH 2012/09/05 CHKD: CGTAN 2012/09/12 APPR: SILENI 2012/09/18	DESCRIPTION REV	QUALITY SYMBOLS  = 0  = 0.13	GENERAL TOLERANCES (UNLESS SPECIFIED) <table border="1"> <tr> <th></th> <th>mm</th> <th>INCH</th> </tr> <tr> <td>4 PLACES</td> <td>± ---</td> <td>± ---</td> </tr> <tr> <td>3 PLACES</td> <td>± ---</td> <td>± ---</td> </tr> <tr> <td>2 PLACES</td> <td>± 0.13</td> <td>± ---</td> </tr> <tr> <td>1 PLACE</td> <td>± 0.25</td> <td>± ---</td> </tr> </table>		mm	INCH	4 PLACES	± ---	± ---	3 PLACES	± ---	± ---	2 PLACES	± 0.13	± ---	1 PLACE	± 0.25	± ---	DIMENSION STYLE <b>MM ONLY</b>	SCALE <b>NTS</b>	DESIGN UNITS <b>METRIC</b>	 <b>THIRD ANGLE PROJECTION</b>
			mm	INCH																		
		4 PLACES	± ---	± ---																		
		3 PLACES	± ---	± ---																		
2 PLACES	± 0.13	± ---																				
1 PLACE	± 0.25	± ---																				
		DRAWN BY: MLONG DATE: 2003/01/07	TITLE <b>MINI DIMM, 0.60MM PITCH          200/244 CKTS, VERTICAL</b>																			
		CHECKED BY: PTLIM DATE: 2003/07/16	<b>MOLEX INCORPORATED</b>																			
		APPROVED BY: SKTOH DATE: 2003/07/17	DOCUMENT NO. <b>SD-87782-001</b>																			
		MATERIAL NO. <b>SEE TABLE</b>	SHEET NO. <b>5 OF 5</b>																			
		DRAFT WHERE APPLICABLE MUST REMAIN WITHIN DIMENSIONS	THIS DRAWING CONTAINS INFORMATION THAT IS PROPRIETARY TO MOLEX INCORPORATED AND SHOULD NOT BE USED WITHOUT WRITTEN PERMISSION																			