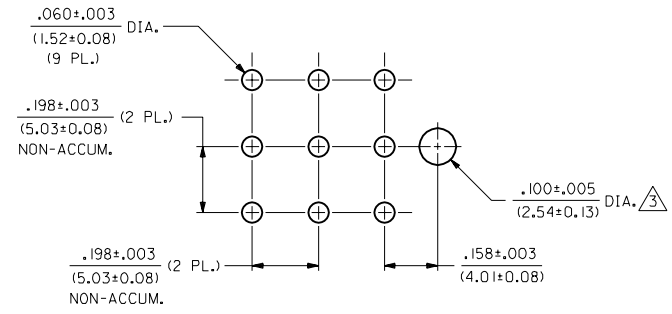
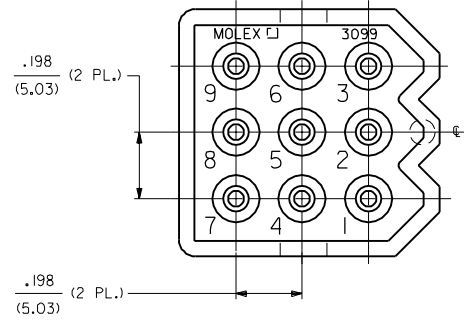
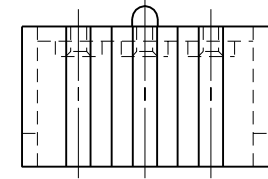
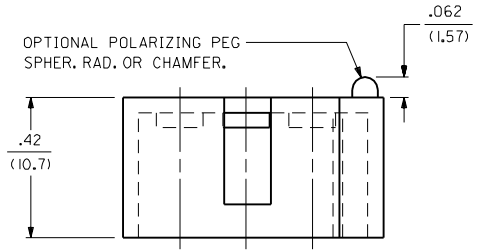
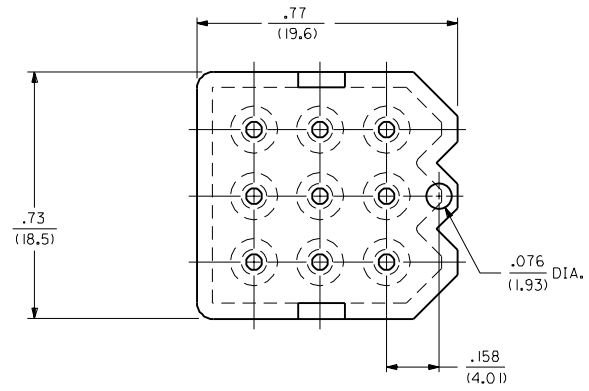


PART NO.	ENG. NO.	POLARIZING PEG OPTION
50-29-1409	3099-9A1	WITH
50-29-1459	3099-9B1	WITHOUT



NOTES:

- THIS HOUSING FOR USE WITH STANDARD .093/(2.36) SERIES RECEPTACLES.
- MATERIAL:
I- UNFILLED POLYESTER, 94V-0, COLOR-BLACK.
- ONLY REQUIRED WHEN USING PARTS WITH OPTIONAL POLARIZING PEG.
- THIS HOUSING ACCEPTS 1840 SERIES PIN AND SOCKET TERMINALS.
- PARTS TO BE MOUNTED ON SUPPORTED EDGE OF P.C. BOARD.
- WHERE MALE TERMINALS ARE USED, MATING CONNECTOR TO USE FEMALE TERMINAL WITH CLOSED SLOT IN BARREL.

REV.	DESCRIPTION
G	CHG. COLOR TO BLK ECN #U4 0193 2-24-94 RW
F	MAT'L WAS GLASS FIL'D. ECR U3 1659 11/10/93 RW
E	DEL MAT'L OPT. 2 ECR U2-1469 AFC 92-10-09 RW
D	REVISE V-0 MAT'L. ECR U2 0079 1/17/92 RW
C	REV PER DETAIL ECR #190942 KBW 08-08-89 RW
B	REVISED PER ECR #190347 GEP 5-25-89 RW
A	FINAL REL. PER ERO 27914 GEP 2-9-89 RW
I	**X* REL. PER ERO 21600 GEP 1-16-89 RW

MFG. SH. REV. LTR. REVISIONS

REVISE ONLY ON CAD SYSTEM

TITLE: 9 CKT. HOUSING, ENCLOSED HEADER, .198/(5.03) CENTERS

MOLEX INCORPORATED SHEET NO. 1 OF 1 DATE 1/16/89

SEE CHART SD-3099-9

DRWG. NO. SD-3099-9

DRWG. BY: CEP CHKD. BY: RW

FILE NAME: S3099X1.DWG

APP'D. BY: RAS SCALE: 4 : 1

THIS DRAWING CONTAINS INFORMATION THAT IS PROPRIETARY TO MOLEX INC. AND SHOULD NOT BE USED WITHOUT WRITTEN PERMISSION.