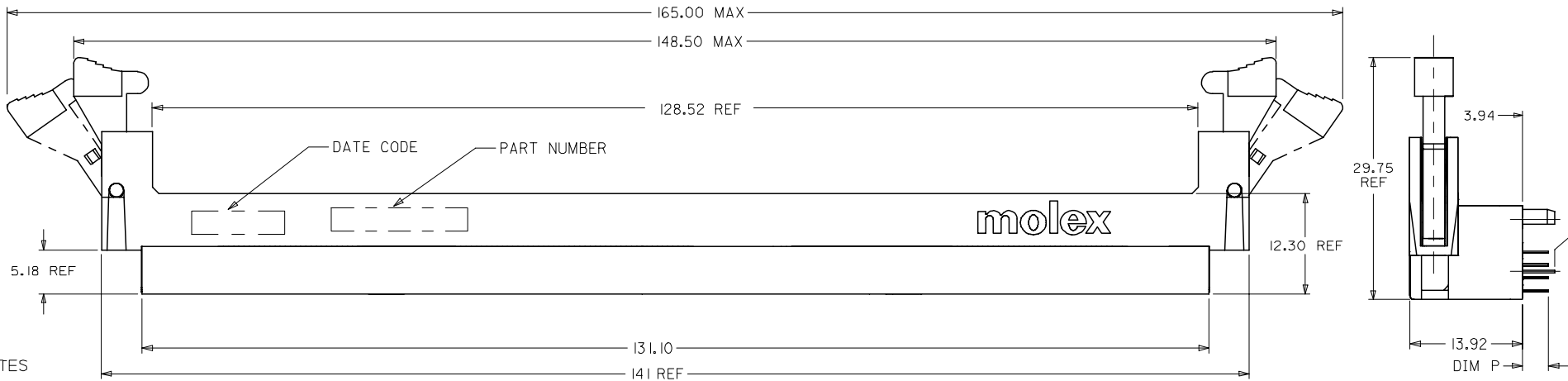
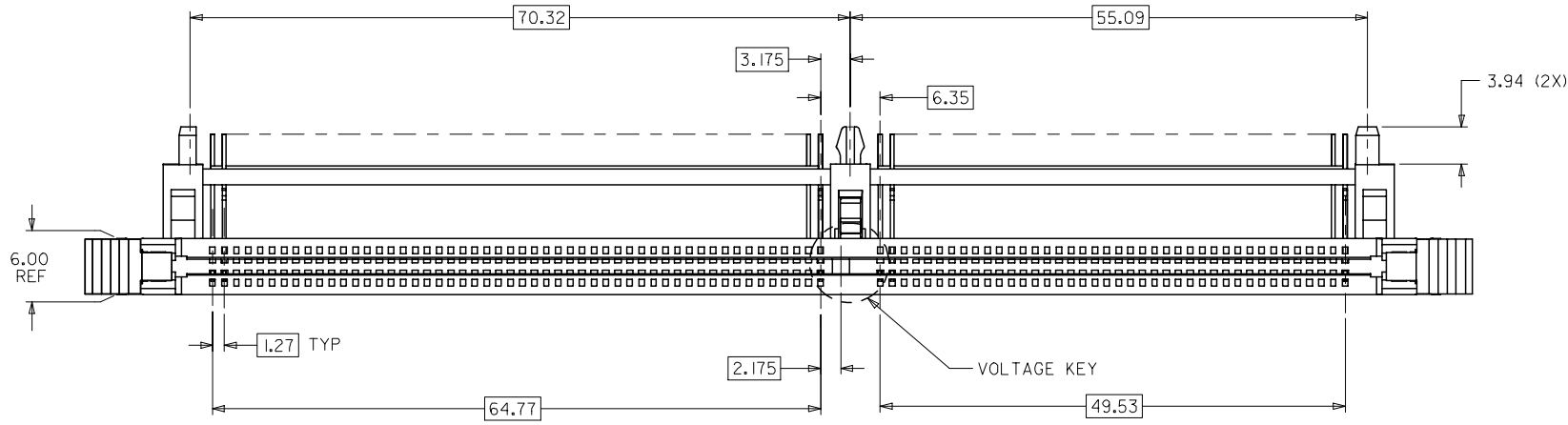


10 9 8 7 6 5 4 3 2 1



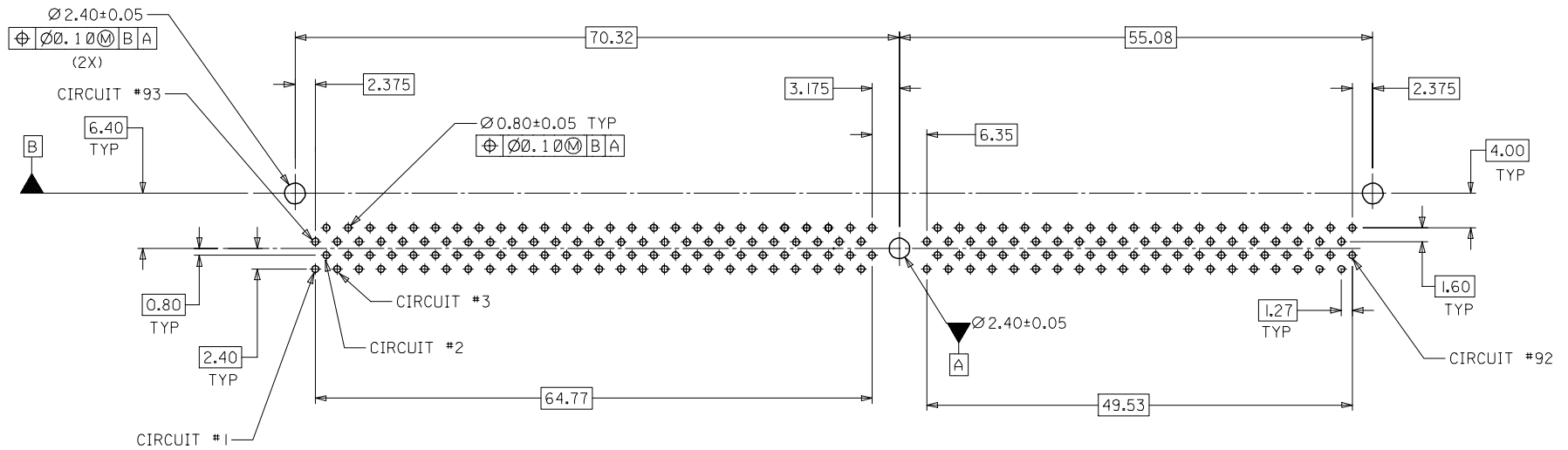
NOTES

- MATERIALS:  
HOUSING AND BASEPLATE - HIGH TEMP LCP GLASS FILLED, UL 94V-0  
COLOR: BLACK  
EJECTORS - HIGH TEMP NYLON GLASS FILLED, UL 94V-0  
COLOR: NATURAL (OFF WHITE)  
TERMINALS AND FORKLOCK - COPPER ALLOY
- FINISHES: CONTACT AREA: SEE TABLE  
SOLDERTAIL: 2.54mm/100µMIN. TIN  
UNDERPLATE: 1.27mm/50µ IN. NICKEL
- PRODUCT SPECIFICATIONS: PS-87609-002 FOR PERFORMANCE SPECIFICATIONS.
- DATE CODE SHALL BE MARKED LEGIBLY AS SHOWN: XX XX  
YEAR WEEK
- PART NUMBER SHALL BE MARKED LEGIBLY AS SHOWN: 87655-0XXX  
REFER TO TABLE

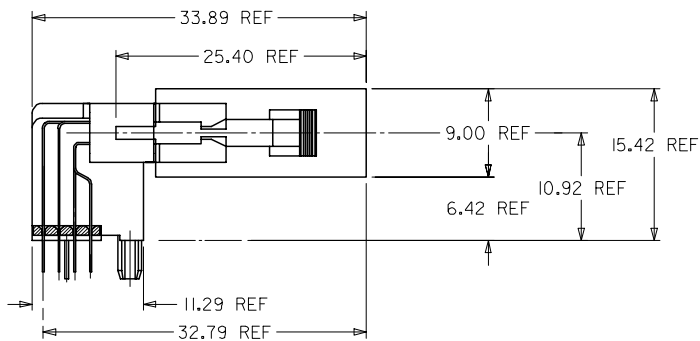
OBS TIN/LEAD P/N EC NO: S2006-0746 DRWN:MLONG CHKD:HO APPR:GJLEE	QUALITY SYMBOLS ▽=0 ◻=0	GENERAL TOLERANCES (UNLESS SPECIFIED)		DIMENSION STYLE MM ONLY		SCALE NTS	DESIGN UNITS METRIC	THIRD ANGLE PROJECTION		
				DRAWN BY MLONG		DATE 2000/12/21		TITLE DDR DIMM, 1.27MM PITCH 184 CKTS, R/A		
				CHECKED BY SQUEK		DATE 2000/12/29		APPROVED BY MOLEX		MATERIAL NO.
				APPROVED BY SKTOH		DATE 2000/12/29		DOCUMENT NO. SD-87655-001		SHEET NO. 1 OF 3
DRAFT WHERE APPLICABLE MUST REMAIN WITHIN DIMENSIONS		SIZE A3		THIS DRAWING CONTAINS INFORMATION THAT IS PROPRIETARY TO MOLEX INCORPORATED AND SHOULD NOT BE USED WITHOUT WRITTEN PERMISSION						

9 8 7 6 5 4 3 2 1

CONTACT AREA	PART NUMBER	VOLTAGE KEY	TAIL LENGTH P±0.25	RECOMMENDED PCB THICKNESS
0.38µm/15µ" MIN. GOLD	87655-0004	LEFT (2.5V)	2.79	1.57
	87655-0005		3.18	
0.76µm/30µ" MIN. GOLD	87655-0007		2.79	



RECOMMENDED  
P.C. BOARD HOLE PATTERN  
(CONNECTOR SIDE)



ACTUAL MODULE HEIGHT AND CLEARANCE  
WHEN USING A 9.00MM THICK BY 25.40MM HEIGHT  
MODULE (TYPICAL SOJ PACKAGING).

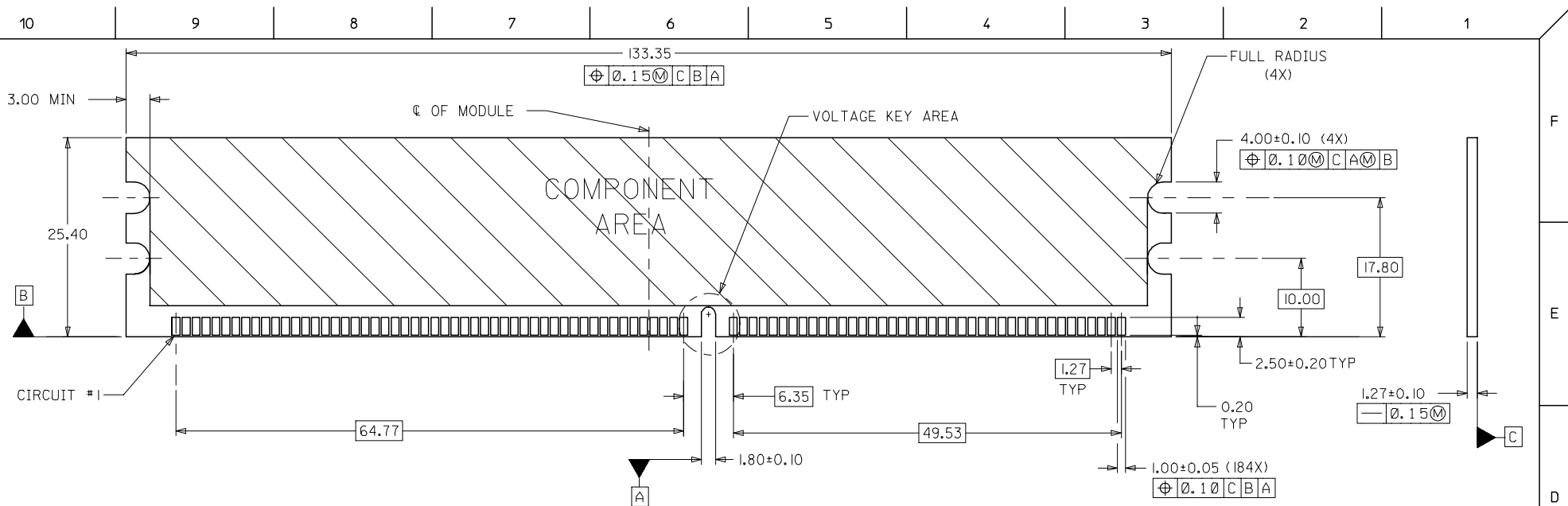
OBS TIN/LEAD P/N	EC NO: S2006-0746	2006/02/27
	DRWN:MLONG	2006/02/28
	CHKD:IHO	2006/02/28
	APPR:GGLLEE	2006/02/28

QUALITY SYMBOLS	DESCRIPTION
▽=0	
▽C=0	

GENERAL TOLERANCES (UNLESS SPECIFIED)	
mm	INCH
4 PLACES ± ---	± ---
3 PLACES ± ---	± ---
2 PLACES ± 0.25	± ---
1 PLACE ± ---	± ---
ANGULAR ± 5 °	
DRAFT WHERE APPLICABLE MUST REMAIN WITHIN DIMENSIONS	

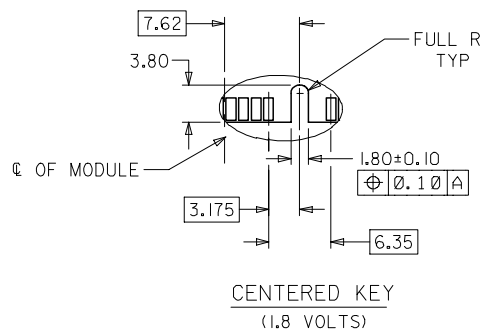
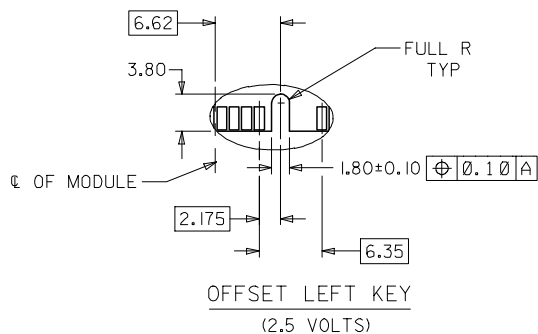
DIMENSION STYLE	
MM ONLY	
DRAWN BY	DATE
MLONG	2000/12/21
CHECKED BY	DATE
SQUEK	2000/12/29
APPROVED BY	DATE
SKTOH	2000/12/29
MATERIAL NO.	
SEE TABLE	
SIZE	A3

SCALE	DESIGN UNITS	THIRD ANGLE PROJECTION
NTS	METRIC	☉
TITLE		
DDR DIMM, 1.27MM PITCH 184 CKTS, R/A		
MOLEX INCORPORATED		
DOCUMENT NO.		SHEET NO.
SD-87655-001		2 OF 3
THIS DRAWING CONTAINS INFORMATION THAT IS PROPRIETARY TO MOLEX INCORPORATED AND SHOULD NOT BE USED WITHOUT WRITTEN PERMISSION		



**RECOMMENDED MODULE LAYOUT**  
 (PER JEDEC STANDARD MO-206, 184 CKT.)  
 UNLESS OTHERWISE SPECIFIED, GENERAL TOLERANCE FOR MODULE = ±0.13

**VOLTAGE KEY AREA OPTIONS**



OBS TIN/LEAD P/N EC NO: S2006-0746 DRWN:MLONG CHKD:IHO APPR:GJLEE	REV DESCRIPTION	QUALITY SYMBOLS	GENERAL TOLERANCES (UNLESS SPECIFIED)	DIMENSION STYLE		SCALE	DESIGN UNITS	THIRD ANGLE PROJECTION		
		▼=0 ▽=0		mm	INCH	NTS	METRIC			
				4 PLACES ±---	±---	M LONG	2000/12/21		TITLE	DDR DIMM, 1.27MM PITCH 184 CKTS, R/A
				3 PLACES ±---	±---	CHECKED BY	DATE			
		2 PLACES ±0.25	±---	SQUEK	2000/12/29					
		1 PLACE ±---	±---	APPROVED BY	DATE					
		ANGULAR ± 5 °		SKT0H	2000/12/29	molex MOLEX INCORPORATED				
		DRAFT WHERE APPLICABLE MUST REMAIN WITHIN DIMENSIONS		MATERIAL NO.		DOCUMENT NO.	SHEET NO.			
				SEE TABLE		SD-87655-001	3 OF 3			
				THIS DRAWING CONTAINS INFORMATION THAT IS PROPRIETARY TO MOLEX INCORPORATED AND SHOULD NOT BE USED WITHOUT WRITTEN PERMISSION						