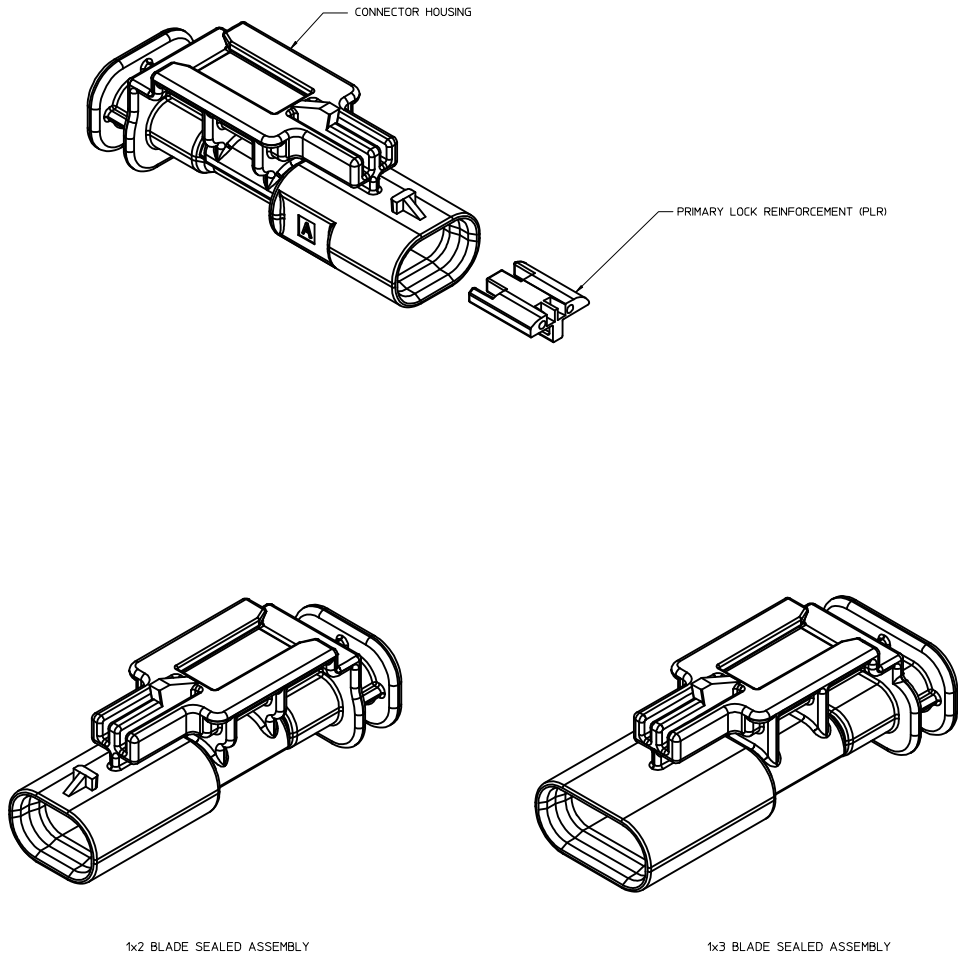


**TABLE OF CONTENTS**

SHEET NO.	SHEET DESCRIPTION
1	NOTES
2	1x2 BLADE SEALED ASSEMBLY KEYING CONFIGURATIONS
3	1x3 BLADE SEALED ASSEMBLY KEYING CONFIGURATIONS
4	CLIP-SLOT CONFIGURATIONS
5	BLADE SEALED ASSEMBLY
6	CONNECTION SYSTEM PACKAGING
7	1x2 BLADE SEALED ASSEMBLY BOM SHEET 1
8	1x3 BLADE SEALED ASSEMBLY BOM SHEET 1



**NOTES: VALID UNLESS OTHERWISE SPECIFIED**

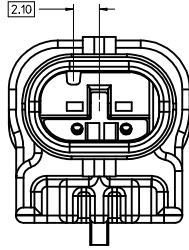
1. GENERAL:
  - a. APPLICATION SPECIFICATION SEE: AS-34900-0001  
CONTAINS: PRODUCT INTRODUCTION, PRODUCT SUMMARY, CONNECTOR ASSEMBLY, PACKAGING INFORMATION, CONNECTOR MATING, SERVICE INSTRUCTIONS, ELECTRICAL CONTINUITY CHECKING, CRIMPING, AND TROUBLESHOOTING.
  - b. PRODUCT SPECIFICATION SEE: PS-34900-0001  
CONTAINS: PRODUCT INTRODUCTION, PRODUCT SUMMARY, RATINGS (CURRENT, TEMPERATURE, SEALING, AND FLAMMABILITY), AND PRODUCT VALIDATION.
  - c. PACKAGING SPECIFICATION PER MOLEX DRAWING: PK-31301-898
  - d. PARTS MUST BE IN COMPLIANCE TO MOLEX CHEMICAL SUBSTANCES FOR PRODUCTS AND PACKAGING SPECIFICATION: ES-40000-5016
  - e. DATA MUST BE SUBMITTED UNDER THE MOLEX PART NUMBER TO IMDS (COMPANY ID#13255)
2. DESIGN - MATERIALS:
  - a. SEE BOM TABLE
3. DESIGN - GEOMETRY:
  - a. THIS IS A 100% CAD GENERATED PART. THE CAD MATHEMATICAL DATA IS THE MASTER FOR THIS PART. FOR DIMENSIONAL OR ANY INFORMATION NOT SHOWN ON THIS DRAWING, ANALYZE THE CAD MODEL.
  - b. GEOMETRIC DIMENSIONS AND TOLERANCES PER ASME Y14.5M - 1994
  - c. EDGES AND UNDIMENSIONED DETAILS PER ISO13715
  - d. CORNERS SHOWN AS SHARP TO BE R 0.2 MAX.
  - e. LETTERING SHALL BE 0.15 MAX RAISED IN 0.25 MAX RECESS PAD. THIS INCLUDES RECYCLING CODE, CAVITY ID, VENDOR IDENTIFICATION.
  - f. VISUAL DEFECTS SHALL MEET COSMETIC STANDARD PS-45499-002 (Class B)
  - g. LASER MARKING:
    1. PART NUMBER
    2. DAY OF THE YEAR
    3. SHIFT
    4. YEAR

INSPECTION NUMBER LOG  
LAST NUMBER USED:  
ADDED:  
REMOVED:

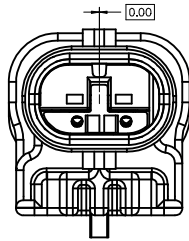
REV	DESCRIPTION
A9	1X2,1X3 PART # STATUS UPDATED
A8	1X2 40G CLIP-SLOT OK TO TOOL
A7	1X2,1X3 PART # UPDATED TO "TOOLED BUT NOT VALIDATED"
A6	ADDED 40G CLIP-SLOT PART NUMBERS
A5	BOM CORRECTIONS AND UPDATES
A4	BOM CORRECTIONS AND UPDATES
A3	1x2, 1x3 NON-SIR PART# OK TO TOOL
A2	ADDED 1x3 11mm CLIP-SLOT PART #
A	ADDED BLACK PART# AND MINOR BOM UPDATES
6	ADDED CLIP SLOT CONFIGURATIONS
5	1x3 BOM UPDATED
4	1X3 INLINE ASSY VIEWS ADDED
3	MINOR BOM CORRECTIONS
2	UPDATED PACKAGING DIMENSIONS
1	INITIAL RELEASE

<p>1X3 VIEWS ADDED EC NO: 14UJ2015-1604 DRAWN BY: SHANMUGI 2015/07/24 CHKD: APPR: VIKASHY 2015/07/29</p>	QUALITY SYMBOLS	GENERAL TOLERANCES (UNLESS SPECIFIED)	DIMENSION STYLE	SCALE	DESIGN UNITS	THIRD ANGLE PROJECTION	TITLE	DOCUMENT NO.	SHEET NO.																		
	<p>▽=0 ▽=0 ▽=0</p>	<table border="1"> <thead> <tr> <th></th> <th>mm</th> <th>INCH</th> </tr> </thead> <tbody> <tr> <td>4 PLACES</td> <td>±.004</td> <td>±.0015</td> </tr> <tr> <td>3 PLACES</td> <td>±.005</td> <td>±.002</td> </tr> <tr> <td>2 PLACES</td> <td>±.010</td> <td>±.004</td> </tr> <tr> <td>1 PLACE</td> <td>±.020</td> <td>±.008</td> </tr> <tr> <td>0 PLACE</td> <td>±.050</td> <td>±.020</td> </tr> </tbody> </table>		mm	INCH	4 PLACES	±.004	±.0015	3 PLACES	±.005	±.002	2 PLACES	±.010	±.004	1 PLACE	±.020	±.008	0 PLACE	±.050	±.020	<p>MM ONLY</p>	4:1	METRIC		12MM 1X2, 1X3 BLADE SEALED ASSEMBLY CABLE SEAL	SD-34899-0001	1 OF 8
		mm	INCH																								
	4 PLACES	±.004	±.0015																								
3 PLACES	±.005	±.002																									
2 PLACES	±.010	±.004																									
1 PLACE	±.020	±.008																									
0 PLACE	±.050	±.020																									
<p>APPROVED BY: _____ DATE: _____</p>	<p>APPROVED BY: _____ DATE: _____</p>	<p>APPROVED BY: _____ DATE: _____</p>	<p>APPROVED BY: _____ DATE: _____</p>	<p>APPROVED BY: _____ DATE: _____</p>	<p>APPROVED BY: _____ DATE: _____</p>	<p>APPROVED BY: _____ DATE: _____</p>	<p>APPROVED BY: _____ DATE: _____</p>	<p>APPROVED BY: _____ DATE: _____</p>	<p>APPROVED BY: _____ DATE: _____</p>																		
<p>A9</p>	<p>DRAFT WHERE APPLICABLE MUST REMAIN WITHIN DIMENSIONS</p>	<p>SEE BOM</p>	<p>THIS DRAWING CONTAINS INFORMATION THAT IS PROPRIETARY TO MOLEX INCORPORATED AND SHOULD NOT BE USED WITHOUT WRITTEN PERMISSION</p>	<p>SIZE D</p>	<p>INCORPORATED AND SHOULD NOT BE USED WITHOUT WRITTEN PERMISSION</p>	<p>INCORPORATED AND SHOULD NOT BE USED WITHOUT WRITTEN PERMISSION</p>	<p>INCORPORATED AND SHOULD NOT BE USED WITHOUT WRITTEN PERMISSION</p>	<p>INCORPORATED AND SHOULD NOT BE USED WITHOUT WRITTEN PERMISSION</p>	<p>INCORPORATED AND SHOULD NOT BE USED WITHOUT WRITTEN PERMISSION</p>																		

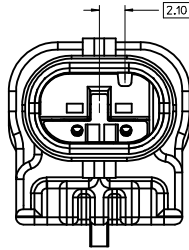
1x2 BLADE SEALED ASSEMBLY KEYING CONFIGURATIONS. FOR PART NUMBERS REFER TO BOM SHEET.



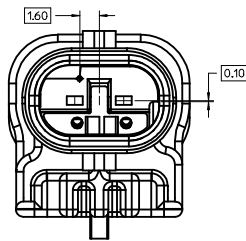
KEYING OPTION A



KEYING OPTION B



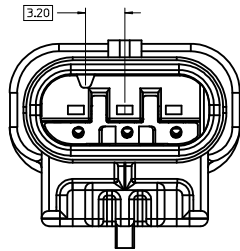
KEYING OPTION C



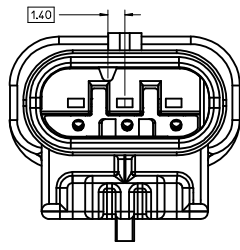
KEYING OPTION E

<b>1x3 VIEWS ADDED</b> IEC NO: UAU2015-1604 DRAWN: KRI SHANU1 2015/04/24 CHKD: APPR: VKOSHY 2015/04/29	QUALITY SYMBOLS	GENERAL TOLERANCES (UNLESS SPECIFIED)	DIMENSION STYLE	SCALE	DESIGN UNITS	THIRD ANGLE PROJECTION
	▽=0	mm INCH	MM ONLY	5:1	METRIC	☉
	▽=0	4 PLACES ± --- ± ---	DRAWN BY	DATE	TITLE	12MM 1X2, 1X3 BLADE SEALED ASSEMBLY CABLE SEAL <b>molex</b>
	▽=0	3 PLACES ± --- ± ---	SKRA JENDRANA	2013/11/06	DOCUMENT NO.	
▽=0	2 PLACES ± 0.10 ± ---	CHECKED BY	DATE	MATERIAL NO.	SD-34899-2001	SHEET NO.
▽=0	1 PLACE ± 0.20 ± ---	APPROVED BY	DATE	SIZE	SEE BOM	2 OF 8
	0 PLACE ± 0.50 ±	DRAFT WHERE APPLICABLE MUST REMAIN WITHIN DIMENSIONS			THIS DRAWING CONTAINS INFORMATION THAT IS PROPRIETARY TO MOLEX INCORPORATED AND SHOULD NOT BE USED WITHOUT WRITTEN PERMISSION	

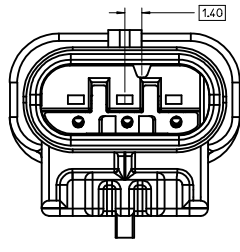
1x3 BLADE SEALED ASSEMBLY KEYING CONFIGURATIONS. FOR PART NUMBERS REFER TO BOM SHEET.



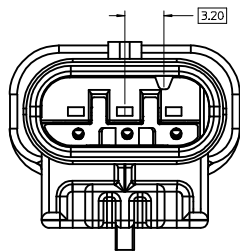
KEYING OPTION A



KEYING OPTION B



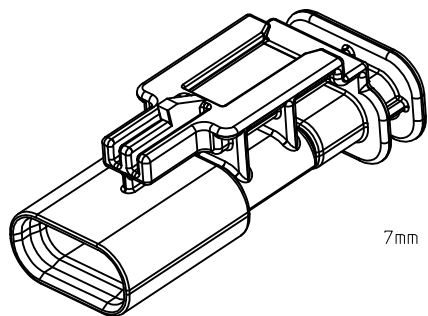
KEYING OPTION C



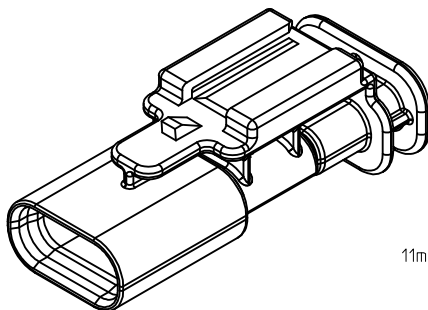
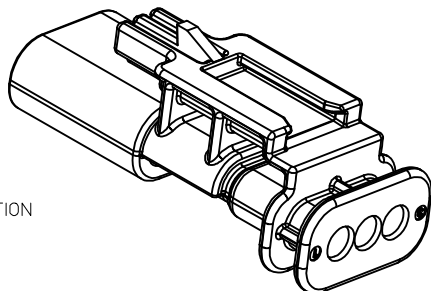
KEYING OPTION D

1x3 VIEWS ADDED IEC NO: UAU2015-1604 DRAWN: KRI SHANANI 2015/04/24 CHKD: A9 APPR: VKOSHY 2015/04/29	QUALITY SYMBOLS	GENERAL TOLERANCES (UNLESS SPECIFIED)	DIMENSION STYLE <b>MM ONLY</b>	SCALE <b>5:1</b>	DESIGN UNITS <b>METRIC</b>	THIRD ANGLE PROJECTION
	▽=0	4 PLACES ± 0.10	mm INCH	DRAWN BY SKRA JENDRANA	DATE 2013/11/06	TITLE <b>12MM 1X2, 1X3 BLADE SEALED ASSEMBLY CABLE SEAL</b>
	▽=0	3 PLACES ± 0.10		CHECKED BY	DATE	<b>molex</b>
	▽=0	2 PLACES ± 0.10		APPROVED BY	DATE	
	1 PLACE ± 0.20	ANGULAR ± 3°	MATERIAL NO. <b>SEE BOM</b>	DOCUMENT NO. <b>SD-34899-2001</b>		SHEET NO. 3 OF 8
	0 PLACE ± 0.50	DRAFT WHERE APPLICABLE MUST REMAIN WITHIN DIMENSIONS	SIZE <b>D</b>	THIS DRAWING CONTAINS INFORMATION THAT IS PROPRIETARY TO MOLEX INCORPORATED AND SHOULD NOT BE USED WITHOUT WRITTEN PERMISSION		

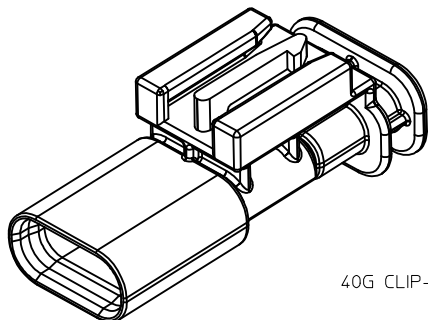
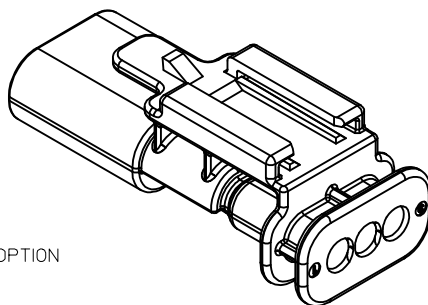
CLIP-SLOT CONFIGURATIONS. FOR PART NUMBERS REFER TO BOM SHEET.



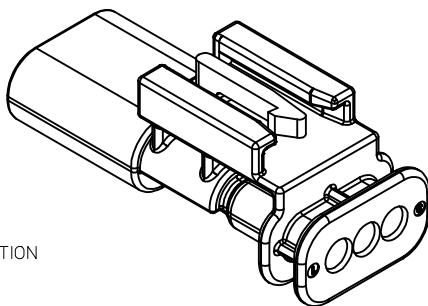
7mm CLIP-SLOT OPTION



11mm CLIP-SLOT OPTION



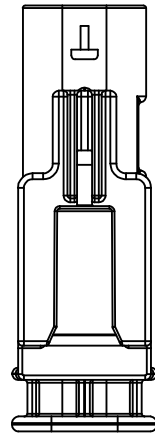
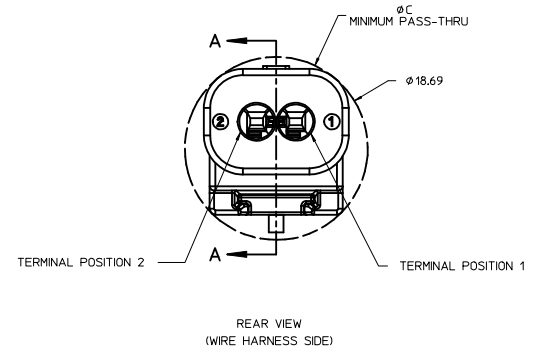
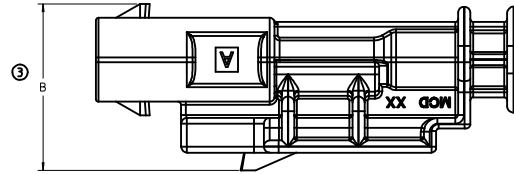
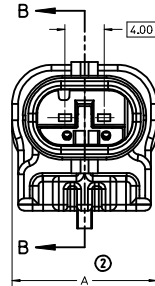
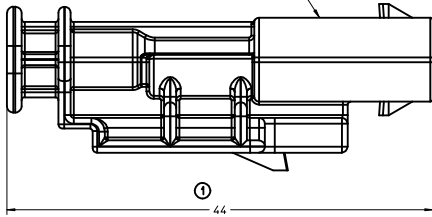
40G CLIP-SLOT OPTION



ENTER DESCRIPTION IEC NO. UAU2015-1604 DRAWN/KRISHNANI 2015/01/24 CHKD: APPR:VKOSHY 2015/01/29 REV:	QUALITY SYMBOLS	GENERAL TOLERANCES (UNLESS SPECIFIED)	DIMENSION STYLE	SCALE	DESIGN UNITS	THIRD ANGLE PROJECTION
	▽=0	mm INCH	MM ONLY	4:1	METRIC	☉
	▽=0	4 PLACES ± --- ± ---	DRAWN BY	DATE	TITLE	
	▽=0	3 PLACES ± --- ± ---	SKRAJENDRANA 2013/11/06	DATE	12MM 1X2, 1X3 BLADE SEALED ASSEMBLY CABLE SEAL	
	▽=0	2 PLACES ± 0.10 ± ---	CHECKED BY	DATE		
		1 PLACE ± 0.20 ± ---	APPROVED BY	DATE		
		0 PLACE ± 0.50 ±				
		ANGULAR ± 3 °	MATERIAL NO.		DOCUMENT NO.	SHEET NO.
		DRAFT WHERE APPLICABLE MUST REMAIN WITHIN DIMENSIONS	SEE BOM		SD-34899-2001	4 OF 8
			SIZE	THIS DRAWING CONTAINS INFORMATION THAT IS PROPRIETARY TO MOLEX INCORPORATED AND SHOULD NOT BE USED WITHOUT WRITTEN PERMISSION		

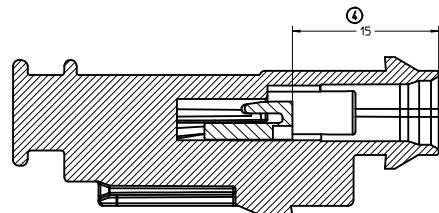
BLADE SEALED ASSEMBLY

LASER MARKING ON THIS SURFACE SEE NOTE 3g

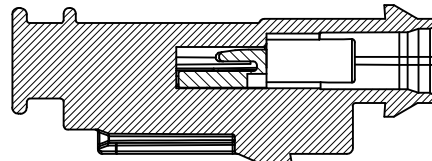


1x3 BLADE SEALED ASSEMBLY, 40G CLIP SLOT	TBD	TBD	TBD
1x3 BLADE SEALED ASSEMBLY, 11mm CLIP SLOT	19	16	21
1x3 BLADE SEALED ASSEMBLY, 7mm CLIP SLOT	19	17	21.5
1x2 BLADE SEALED ASSEMBLY, 40G CLIP SLOT	TBD	TBD	TBD
1x2 BLADE SEALED ASSEMBLY, 11mm CLIP SLOT	TBD	TBD	TBD
1x2 BLADE SEALED ASSEMBLY, 7mm CLIP SLOT	15	17	19.75
CONFIGURATION	A	B	C

CHARTED DIMENSIONS



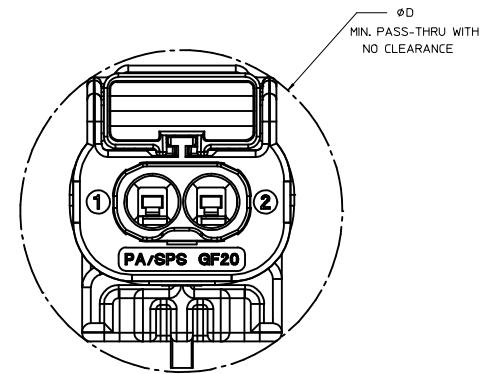
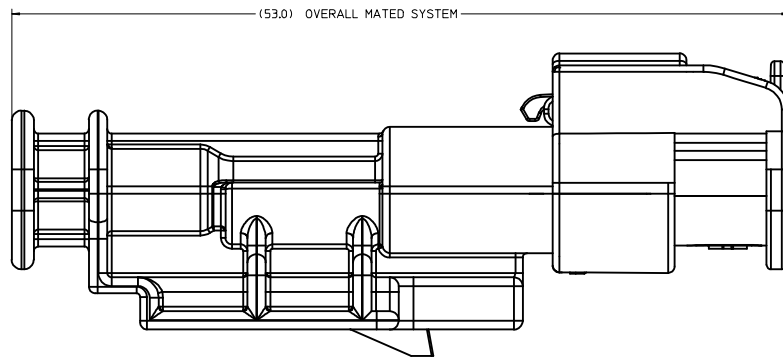
PRIMARY LOCK REINFORCEMENT (PLR) SHOWN IN THE PRE-STAGED POSITION  
SECTION B-B



PRIMARY LOCK REINFORCEMENT (PLR) SHOWN IN THE FINAL-LOCK POSITION  
SECTION A-A

1x3 VIEWS ADDED IEC NO: UAU2015-1604 DRAWN BY SHANU1 2015/01/24 CHKD: APPR:VKOSHY 2015/01/29	QUALITY SYMBOLS	GENERAL TOLERANCES (UNLESS SPECIFIED)	DIMENSION STYLE	SCALE	DESIGN UNITS	THIRD ANGLE PROJECTION	
	∇=0 4 PLACES ± --- ± --- ∇=0 3 PLACES ± --- ± --- ∇=0 2 PLACES ± 0.10 ± --- 1 PLACE ± 0.20 ± --- 0 PLACE ± 0.50 ±	mm    INCH ± ---    ± --- ± 0.10    ± --- ± 0.20    ± --- ± 0.50    ±	MM ONLY	4:1	METRIC	SKRA JENDRANA 2013/11/06 DATE DATE APPROVED BY DATE	TITLE 12MM 1X2, 1X3 BLADE SEALED ASSEMBLY CABLE SEAL molex DOCUMENT NO. SD-34899-2001 SHEET NO. 5 OF 8
	ANGULAR ± 3 ° DRAFT WHERE APPLICABLE MUST REMAIN WITHIN DIMENSIONS	MATERIAL NO.	SEE BOM				
	SIZE D	THIS DRAWING CONTAINS INFORMATION THAT IS PROPRIETARY TO MOLEX INCORPORATED AND SHOULD NOT BE USED WITHOUT WRITTEN PERMISSION					

CONNECTION SYSTEM PACKAGING



1x3 RECEPTACLE MATED TO 1x3 BLADE, 40 CLIP SLOT	TBD
1x3 RECEPTACLE MATED TO 1x3 BLADE, 11mm CLIP SLOT	24.0
1x3 RECEPTACLE MATED TO 1x3 BLADE, 7mm CLIP SLOT	23.0
1x2 RECEPTACLE MATED TO 1x2 BLADE, 40G CLIP SLOT	TBD
1x2 RECEPTACLE MATED TO 1x2 BLADE, 11mm CLIP SLOT	TBD
1x2 RECEPTACLE MATED TO 1x2 BLADE, 7mm CLIP SLOT	23.0
1.2mm CONNECTION SYSTEM CONFIGURATION	D

CHARTED DIMENSIONS

<b>ENTER DESCRIPTION</b> IEC NO. UAU2015-1604 DRAWN/KR SHANU1 2015/01/24 CHKD: APPR:VKOSHY 2015/01/29 REV:	QUALITY SYMBOLS	GENERAL TOLERANCES (UNLESS SPECIFIED)	DIMENSION STYLE	SCALE	DESIGN UNITS	THIRD ANGLE PROJECTION
	▽=0	mm INCH	MM ONLY	6:1	METRIC	☉
	▽=0	4 PLACES ± --- ± ---	DRAWN BY SKRA JENDRANA 2013/11/06	DATE	TITLE	12MM 1X2, 1X3 BLADE SEALED ASSEMBLY CABLE SEAL
	▽=0	3 PLACES ± --- ± ---	CHECKED BY	DATE		
	▽=0	2 PLACES ± 0.10 ± ---	APPROVED BY	DATE		
		1 PLACE ± 0.20 ± ---	MATERIAL NO.	SEE BOM	DOCUMENT NO.	SD-34899-2001
		0 PLACE ± 0.50 ±	SIZE	D	SHEET NO.	6 OF 8
		ANGULAR ± 3 °	THIS DRAWING CONTAINS INFORMATION THAT IS PROPRIETARY TO MOLEX INCORPORATED AND SHOULD NOT BE USED WITHOUT WRITTEN PERMISSION			
		DRAFT WHERE APPLICABLE MUST REMAIN WITHIN DIMENSIONS				



1x3 BLADE SEALED ASSEMBLY BOM SHEET 1

KEYING OPTION A, 40-G CLIP SLOT, BLACK	34899-3060																																					A	CONCEPT	EM-34899-3050
KEYING OPTION A, 40-G CLIP SLOT, YELLOW	34899-3050																																				A	CONCEPT	EM-34899-3050	
KEYING OPTION D, 11mm CLIP SLOT, STONE GRAY	34899-3043																																			D	TOOLED BUT NOT VALIDATED	EM-34899-3033		
KEYING OPTION C, 11mm CLIP SLOT, DARK GRAY	34899-3042																																			C	TOOLED BUT NOT VALIDATED	EM-34899-3032		
KEYING OPTION B, 11mm CLIP SLOT, LIGHT GRAY	34899-3041																																			B	SALEABLE	EM-34899-3031		
KEYING OPTION A, 11mm CLIP SLOT, BLACK	34899-3040																																			A	SALEABLE	EM-34899-3030		
KEYING OPTION D, 11mm CLIP SLOT, YELLOW	34899-3033																																			D	TOOLED BUT NOT VALIDATED	EM-34899-3033		
KEYING OPTION C, 11mm CLIP SLOT, YELLOW	34899-3032																																			C	TOOLED BUT NOT VALIDATED	EM-34899-3032		
KEYING OPTION B, 11mm CLIP SLOT, YELLOW	34899-3031																																			B	SALEABLE	EM-34899-3031		
KEYING OPTION A, 11mm CLIP SLOT, YELLOW	34899-3030																																			A	SALEABLE	EM-34899-3030		
KEYING OPTION D, 7mm CLIP SLOT, STONE GRAY	34899-3023																																			D	TOOLED BUT NOT VALIDATED	EM-34899-3013		
KEYING OPTION C, 7mm CLIP SLOT, DARK GRAY	34899-3022																																			C	TOOLED BUT NOT VALIDATED	EM-34899-3012		
KEYING OPTION B, 7mm CLIP SLOT, LIGHT GRAY	34899-3021																																			B	SALEABLE	EM-34899-3011		
KEYING OPTION A, 7mm CLIP SLOT, BLACK	34899-3020																																			A	SALEABLE	EM-34899-3010		
KEYING OPTION D, 7mm CLIP SLOT, YELLOW	34899-3013																																			D	TOOLED BUT NOT VALIDATED	EM-34899-3013		
KEYING OPTION C, 7mm CLIP SLOT, YELLOW	34899-3012																																			C	TOOLED BUT NOT VALIDATED	EM-34899-3012		
KEYING OPTION B, 7mm CLIP SLOT, YELLOW	34899-3011																																			B	SALEABLE	EM-34899-3011		
KEYING OPTION A, 7mm CLIP SLOT, YELLOW	34899-3010																																			A	SALEABLE	EM-34899-3010		
ASSEMBLY DESCRIPTION		ASSEMBLY PART NUMBER		PRODUCTION TOOL STATUS		COMMENTS		MODEL NUMBER																																

PLR		NATURAL	SPS/NYLON GF20	34899-3701	EM-34899-3701	E-34899-2701
1x3 CONNECTOR HOUSING, KEYING OPTION A 40G CLIP SLOT	BLACK	SPS/NYLON GF20	34899-3560	EM-34899-3560		
1x3 CONNECTOR HOUSING, KEYING OPTION A 40G CLIP SLOT	YELLOW	SPS/NYLON GF20	34899-3550	EM-34899-3550		
1x3 CONNECTOR HOUSING, KEYING OPTION D 11mm CLIP SLOT	STONE GRAY	SPS/NYLON GF20	34899-3543	EM-34899-3523		
1x3 CONNECTOR HOUSING, KEYING OPTION C 11mm CLIP SLOT	DARK GRAY	SPS/NYLON GF20	34899-3542	EM-34899-3522		
1x3 CONNECTOR HOUSING, KEYING OPTION B 11mm CLIP SLOT	LIGHT GRAY	SPS/NYLON GF20	34899-3541	EM-34899-3521		
1x3 CONNECTOR HOUSING, KEYING OPTION A 11mm CLIP SLOT	BLACK	SPS/NYLON GF20	34899-3540	EM-34899-3520		
1x3 CONNECTOR HOUSING, KEYING OPTION D 11mm CLIP SLOT	YELLOW	SPS/NYLON GF20	34899-3533	EM-34899-3523		
1x3 CONNECTOR HOUSING, KEYING OPTION C 11mm CLIP SLOT	YELLOW	SPS/NYLON GF20	34899-3532	EM-34899-3522		
1x3 CONNECTOR HOUSING, KEYING OPTION B 11mm CLIP SLOT	YELLOW	SPS/NYLON GF20	34899-3531	EM-34899-3521		
1x3 CONNECTOR HOUSING, KEYING OPTION A 11mm CLIP SLOT	YELLOW	SPS/NYLON GF20	34899-3530	EM-34899-3520		
1x3 CONNECTOR HOUSING, KEYING OPTION D 7mm CLIP SLOT	STONE GRAY	SPS/NYLON GF20	34899-3523	EM-34899-3513	E-34899-2510	
1x3 CONNECTOR HOUSING, KEYING OPTION C 7mm CLIP SLOT	DARK GRAY	SPS/NYLON GF20	34899-3522	EM-34899-3512		
1x3 CONNECTOR HOUSING, KEYING OPTION B 7mm CLIP SLOT	LIGHT GRAY	SPS/NYLON GF20	34899-3521	EM-34899-3511		
1x3 CONNECTOR HOUSING, KEYING OPTION A 7mm CLIP SLOT	BLACK	SPS/NYLON GF20	34899-3520	EM-34899-3510		
1x3 CONNECTOR HOUSING, KEYING OPTION D 7mm CLIP SLOT	YELLOW	SPS/NYLON GF20	34899-3513	EM-34899-3513		
1x3 CONNECTOR HOUSING, KEYING OPTION C 7mm CLIP SLOT	YELLOW	SPS/NYLON GF20	34899-3512	EM-34899-3512		
1x3 CONNECTOR HOUSING, KEYING OPTION B 7mm CLIP SLOT	YELLOW	SPS/NYLON GF20	34899-3511	EM-34899-3511		
1x3 CONNECTOR HOUSING, KEYING OPTION A 7mm CLIP SLOT	YELLOW	SPS/NYLON GF20	34899-3510	EM-34899-3510		
DESCRIPTION	COLOR	MATERIAL	PART NUMBER	MODEL NUMBER	DRAWING NUMBER	

BOM/APPLICABLE COMPONENTS TABLE

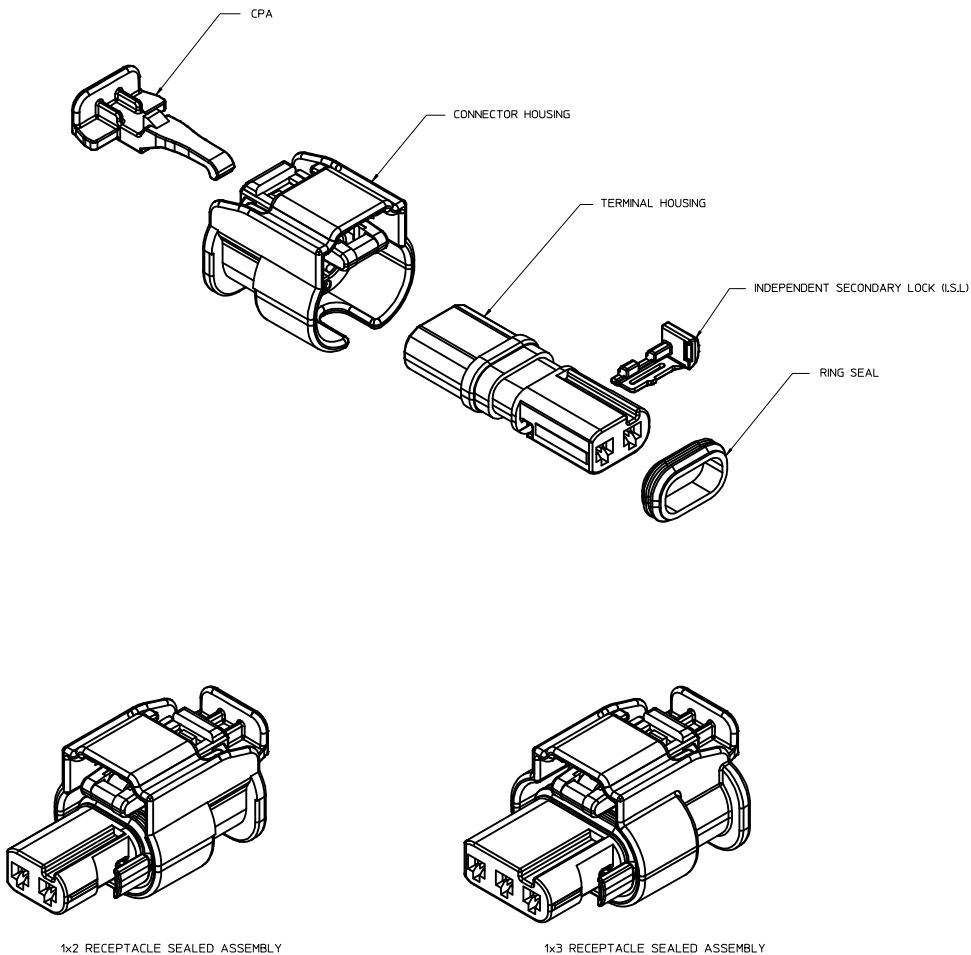
ABBREVIATION	COMPONENT
A	CONNECTOR HOUSING KEYING OPTION A
B	CONNECTOR HOUSING KEYING OPTION B
C	CONNECTOR HOUSING KEYING OPTION C
D	CONNECTOR HOUSING KEYING OPTION D

<b>ENTER DESCRIPTION</b> IEC NO. UAU2015-1604 DRAWN BY SKRAJENDRANA 2013/11/06 CHKD. APPR: YKSHY DATE: 2015/04/24	QUALITY SYMBOLS ▽=0 ▽=0 ▽=0	GENERAL TOLERANCES (UNLESS SPECIFIED)		DIMENSION STYLE MM ONLY		SCALE		DESIGN UNITS		THIRD ANGLE PROJECTION	
		4 PLACES ± mm INCH		DRAWN BY DATE SKRAJENDRANA 2013/11/06		METRIC		12MM 1X2, 1X3 BLADE SEALED ASSEMBLY CABLE SEAL			
		3 PLACES ±		CHECKED BY DATE		APPROVED BY DATE				molex	
<b>SIZE D</b>	ANGULAR ± 3 °			MATERIAL NO. SEE BOM		DOCUMENT NO. SD-34899-2001					
	DRAFT WHERE APPLICABLE MUST REMAIN WITHIN DIMENSIONS			THIS DRAWING CONTAINS INFORMATION THAT IS PROPRIETARY TO MOLEX INCORPORATED AND SHOULD NOT BE USED WITHOUT WRITTEN PERMISSION			SHEET NO. 8 OF 8				



**TABLE OF CONTENTS**

SHEET NO.	SHEET DESCRIPTION
1	NOTES
2	1x2 RECEPTACLE SEALED ASSEMBLY KEYING CONFIGURATIONS
3	1x3 RECEPTACLE SEALED ASSEMBLY KEYING CONFIGURATIONS
4	RECEPTACLE SEALED ASSEMBLY
5	1x2 RECEPTACLE SEALED ASSEMBLY BOM SHEET 1
6	1x3 RECEPTACLE SEALED ASSEMBLY BOM SHEET 1



**NOTES: VALID UNLESS OTHERWISE SPECIFIED**

**1. GENERAL:**  
a. APPLICATION SPECIFICATION SEE: AS-34900-0001  
CONTAINS: PRODUCT INTRODUCTION, PRODUCT SUMMARY, CONNECTOR ASSEMBLY, PACKAGING INFORMATION, CONNECTOR MATING, SERVICE INSTRUCTIONS, ELECTRICAL CONTINUITY CHECKING, CRIMPING, AND TROUBLESHOOTING.  
b. PRODUCT SPECIFICATION SEE: PS-34900-0001  
CONTAINS: PRODUCT INTRODUCTION, PRODUCT SUMMARY, RATINGS (CURRENT, TEMPERATURE, SEALING, AND FLAMMABILITY), AND PRODUCT VALIDATION.  
c. PACKAGING SPECIFICATION PER MOLEX DRAWING: PK-31301-898  
d. PARTS MUST BE IN COMPLIANCE TO MOLEX CHEMICAL SUBSTANCES FOR PRODUCTS AND PACKAGING SPECIFICATION: ES-40000-5016  
e. DATA MUST BE SUBMITTED UNDER THE MOLEX PART NUMBER TO IMDS (COMPANY ID#13255)  
f. DESIGNED TO MATE WITH DEVICE CONNECTION AS SPECIFIED IN BOM CHART. USCAR DRAWINGS AND MODELS ARE AVAILABLE AT <http://ewcapuscarteams.org/>.

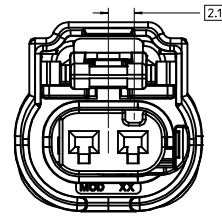
**2. DESIGN - MATERIALS:**  
a. SEE BOM TABLE

**3. DESIGN - GEOMETRY:**  
a. THIS IS A 100% CAD GENERATED PART. THE CAD MATHEMATICAL DATA IS THE MASTER FOR THIS PART. FOR DIMENSIONAL OR ANY INFORMATION NOT SHOWN ON THIS DRAWING, ANALYZE THE CAD MODEL.  
b. GEOMETRIC DIMENSIONS AND TOLERANCES PER ASME Y14.5M - 1994  
c. EDGES AND UNDIMENSIONED DETAILS PER ISO13715  
d. CORNERS SHOWN AS SHARP TO BE R 0.2 MAX.  
e. LETTERING SHALL BE 0.15 MAX RAISED IN 0.25 MAX RECESS PAD. THIS INCLUDES RECYCLING CODE, CAVITY ID, VENDOR IDENTIFICATION, AND CUSTOMER MATERIAL NUMBER.  
f. VISUAL DEFECTS SHALL MEET COSMETIC STANDARD PS-45499-002 (Class B)  
g. LASER MARKING:  
1. PART NUMBER  
2. DAY OF THE YEAR  
3. SHIFT  
4. YEAR

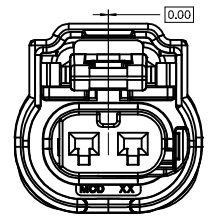
REV	DESCRIPTION
A9	1X2 AND 1X3 PART # STATUS UPDATED DIMENSION 2 UPDATED
A8	1X2 PART # UPDATED TO "TOOLED BUT NOT VALIDATED"
A7	1X2 PART # UPDATED TO "TOOLED BUT NOT VALIDATED"
A6	ADDED NEW PART NUMBERS FOR LATCH IMPROVEMENT
A5	BOM CORRECTIONS AND UPDATES
A4	BOM CORRECTIONS AND UPDATES
A3	1x2, 1x3 NON-SIR OK TO TOOL
A2	MINOR BOM CORRECTIONS
A1	ADDED COMPONENTS TO BOM
A	ADDED BLACK PART NUMBERS AND MINOR BOM UPDATES
3	ADDED 1x3
2	MINOR BOM CORRECTIONS
1	INITIAL RELEASE

<b>ENTER DESCRIPTION</b> IEC NO: UAU2015-1604 DRAWN BY: SHINAWO1 2015/04/24 CHKD: APPR: WJOSHY DESCRIPTION: 2015/04/29 REV: A9	QUALITY SYMBOLS ∇=0 ∇=0 ∇=0	GENERAL TOLERANCES (UNLESS SPECIFIED) <table border="1"> <thead> <tr> <th></th> <th>mm</th> <th>INCH</th> </tr> </thead> <tbody> <tr> <td>4 PLACES</td> <td>±.005</td> <td>±.0004</td> </tr> <tr> <td>3 PLACES</td> <td>±.010</td> <td>±.0004</td> </tr> <tr> <td>2 PLACES</td> <td>±.020</td> <td>±.0008</td> </tr> <tr> <td>1 PLACE</td> <td>±.050</td> <td>±.0020</td> </tr> <tr> <td>0 PLACE</td> <td>±.100</td> <td>±.0040</td> </tr> </tbody> </table> ANGULAR ± 3 ° DRAFT WHERE APPLICABLE MUST REMAIN WITHIN DIMENSIONS		mm	INCH	4 PLACES	±.005	±.0004	3 PLACES	±.010	±.0004	2 PLACES	±.020	±.0008	1 PLACE	±.050	±.0020	0 PLACE	±.100	±.0040	DIMENSION STYLE <b>MM ONLY</b> DRAWN BY: MYANSLAMBROU DATE: 2012/02/15 CHECKED BY: DATE: APPROVED BY: GGA DATE: 2012/12/13 MATERIAL NO: <b>SEE TABLE</b>	SCALE: 4:1 DESIGN UNITS: METRIC THIRD ANGLE PROJECTION TITLE: 12MM 1X2. 1X3 RECP. SEALED ASSEMBLY CABLE SEAL <b>molex</b> DOCUMENT NO: SD-34900-0001 SHEET NO: 1 OF 6
		mm	INCH																			
	4 PLACES	±.005	±.0004																			
	3 PLACES	±.010	±.0004																			
2 PLACES	±.020	±.0008																				
1 PLACE	±.050	±.0020																				
0 PLACE	±.100	±.0040																				
THIS DRAWING CONTAINS INFORMATION THAT IS PROPRIETARY TO MOLEX INCORPORATED AND SHOULD NOT BE USED WITHOUT WRITTEN PERMISSION																						
SIZE: D																						
REV: A9																						

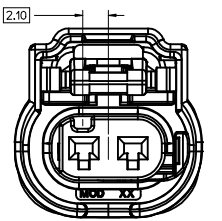
1x2 RECEPTACLE SEALED ASSEMBLY KEYING CONFIGURATIONS. FOR PART NUMBERS REFER TO BOM SHEET.



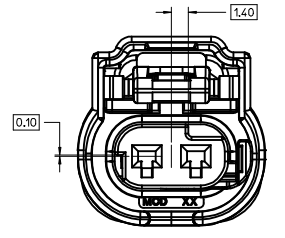
KEYING OPTION A



KEYING OPTION B



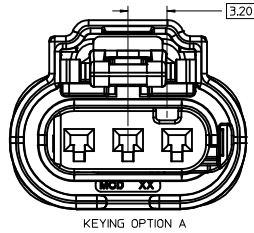
KEYING OPTION C



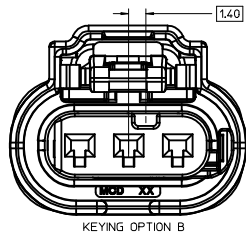
KEYING OPTION E

<b>ENTER DESCRIPTION</b> IEC NO. UAU2015-1604 DRAWN: KRI SHANANI 2015/01/24 CHKD: A9 APPR: VIKASHY 2015/01/29	QUALITY SYMBOLS ▽=0 ▽=0 ▽=0	GENERAL TOLERANCES (UNLESS SPECIFIED)		DIMENSION STYLE <b>MM ONLY</b>	SCALE <b>5:1</b>	DESIGN UNITS <b>METRIC</b>	THIRD ANGLE PROJECTION
		4 PLACES ± --- ± --- 3 PLACES ± --- ± --- 2 PLACES ± 0.10 ± --- 1 PLACE ± 0.20 ± --- 0 PLACE ± 0.50 ± ---	mm      INCH	DRAWN BY      DATE MYANSLAMBROU 2012/02/15	CHECKED BY      DATE	TITLE <b>12MM 1X2. 1X3 RECPT. SEALED ASSEMBLY CABLE SEAL</b>	
DRAFT WHERE APPLICABLE MUST REMAIN WITHIN DIMENSIONS		ANGULAR ± 3 °		MATERIAL NO. <b>SEE BOM</b>		DOCUMENT NO. <b>SD-34900-2001</b>	
				SIZE <b>D</b>		SHEET NO. <b>2 OF 6</b>	

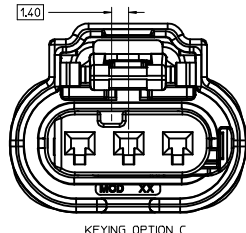
1x3 RECEPTACLE SEALED ASSEMBLY KEYING CONFIGURATIONS. FOR PART NUMBERS REFER TO BOM SHEET.



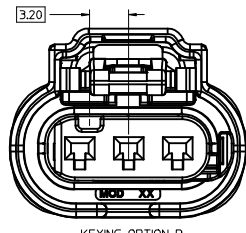
KEYING OPTION A



KEYING OPTION B

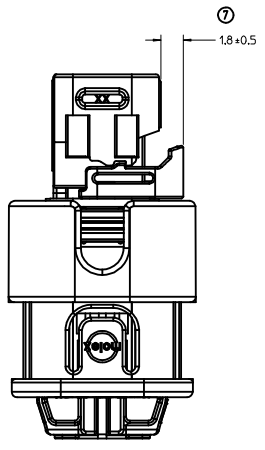
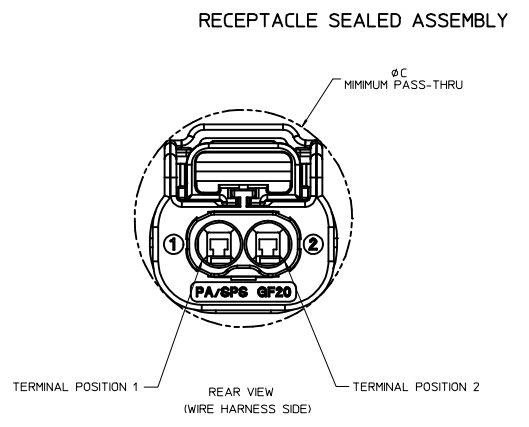
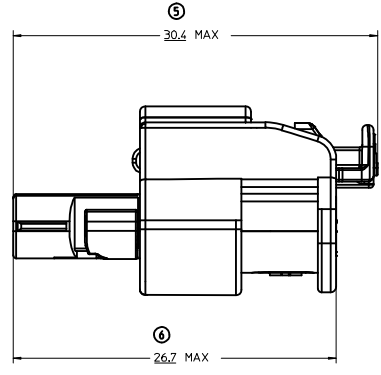
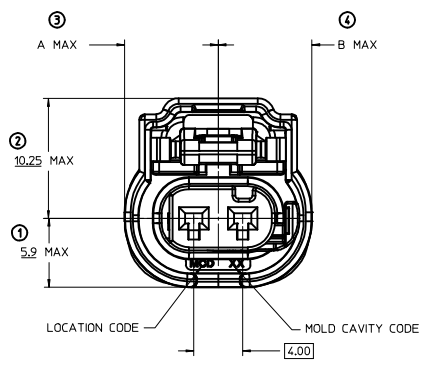
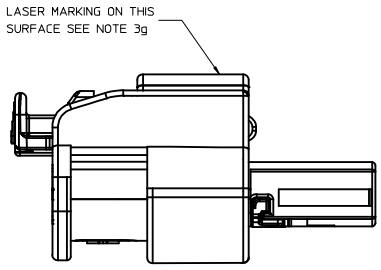


KEYING OPTION C

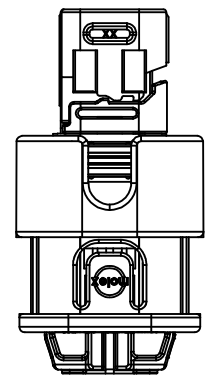


KEYING OPTION D

<b>ENTER DESCRIPTION</b> IEC NO. UAU2015-1604 DRAWN BY SHANU1 2015/01/24 CHKD: APPR: VKOSHY 2015/01/29	QUALITY SYMBOLS ▽=0 ▽=0 ▽=0	GENERAL TOLERANCES (UNLESS SPECIFIED)		DIMENSION STYLE <b>MM ONLY</b>	SCALE <b>5:1</b>	DESIGN UNITS <b>METRIC</b>	THIRD ANGLE PROJECTION	
		4 PLACES ± --- ± --- 3 PLACES ± --- ± --- 2 PLACES ± 0.10 ± --- 1 PLACE ± 0.20 ± --- 0 PLACE ± 0.50 ± ---	mm      INCH	DRAWN BY DATE MYANSLAMBROU 2012/02/15	CHECKED BY DATE	TITLE <b>12MM 1X2, 1X3 RECPT. SEALED ASSEMBLY CABLE SEAL</b>		APPROVED BY DATE GGA 2012/12/13
DRAFT WHERE APPLICABLE MUST REMAIN WITHIN DIMENSIONS		ANGULAR ± 3 °		MATERIAL NO. <b>SEE BOM</b>		DOCUMENT NO. <b>SD-34900-2001</b>		
SIZE <b>D</b>		THIS DRAWING CONTAINS INFORMATION THAT IS PROPRIETARY TO MOLEX INCORPORATED AND SHOULD NOT BE USED WITHOUT WRITTEN PERMISSION						SHEET NO. 3 OF 6



INDEPENDENT SECONDARY LOCK (ISL)  
SHOWN IN THE PRE-STAGED POSITION



INDEPENDENT SECONDARY LOCK (ISL)  
SHOWN IN THE FINAL-LOCK POSITION

1x3 RECEPTACLE SEALED ASSEMBLY	10.0	10.0	20.75
1x2 RECEPTACLE SEALED ASSEMBLY	8.0	8.0	18.75
CONFIGURATION	A	B	C
<b>CHARTED DIMENSIONS</b>			

<b>ENTER DESCRIPTION</b> IEC NO: UAU2015-1604 DRAWN/KRI SHINAWI 2015/04/24 CHKD: APPR: IKOSHY 2015/04/29 REV:	QUALITY SYMBOLS	GENERAL TOLERANCES (UNLESS SPECIFIED)	DIMENSION STYLE	SCALE	DESIGN UNITS	THIRD ANGLE PROJECTION
	▽=0	mm INCH	MM ONLY	5:1	METRIC	☉
	▽=0	4 PLACES ± --- ± ---	DRAWN BY DATE	DATE	TITLE	1.2MM 1X2, 1X3 RECPT. SEALED ASSEMBLY CABLE SEAL <b>molex</b>
	▽=0	3 PLACES ± --- ± ---	MYANSLAMBROU 2012/02/15	2012/12/13	12MM 1X2, 1X3 RECPT. SEALED ASSEMBLY CABLE SEAL	
	2 PLACES ± 0.10 ± ---	CHECKED BY DATE	APPROVED BY DATE	MATERIAL NO.	DOCUMENT NO.	SHEET NO.
	1 PLACE ± 0.20 ± ---		GGA 2012/12/13	SEE BOM	SD-34900-2001	4 OF 6
	0 PLACE ± 0.50 ±					
	ANGULAR ± 3 °	DRAFT WHERE APPLICABLE MUST REMAIN WITHIN DIMENSIONS	SIZE	THIS DRAWING CONTAINS INFORMATION THAT IS PROPRIETARY TO MOLEX INCORPORATED AND SHOULD NOT BE USED WITHOUT WRITTEN PERMISSION		

1X2 RECEPTACLE SEALED ASSEMBLY BOM SHEET 1

KEYING OPTION E, BLACK	34900-2123				CHB			E	TOOLED BUT NOT VALIDATED		1	2	3
KEYING OPTION C, BLACK	34900-2122				CHB			C	TOOLED BUT NOT VALIDATED		1	2	3
KEYING OPTION B, BLACK	34900-2121				CHB	A			SALEABLE		1	2	3
KEYING OPTION A, BLACK	34900-2120				CHB	A			SALEABLE		1	2	3
KEYING OPTION E, YELLOW	34900-2104				CHY			E	TOOLED BUT NOT VALIDATED		1	2	3
KEYING OPTION C, YELLOW	34900-2103				CHY			C	TOOLED BUT NOT VALIDATED		1	2	3
KEYING OPTION B, YELLOW	34900-2102				CHY		B		SALEABLE		1	2	3
KEYING OPTION A, YELLOW	34900-2101				CHY		A		SALEABLE		1	2	3
KEYING OPTION E, BLACK	34900-2023			CHB				E	OBSOLETE		1	2	3
KEYING OPTION C, BLACK	34900-2022			CHB				C	OBSOLETE		1	2	3
KEYING OPTION B, BLACK	34900-2021			CHB			B		OBSOLETE		1	2	3
KEYING OPTION A, BLACK	34900-2020			CHB			A		OBSOLETE		1	2	3
KEYING OPTION E, YELLOW	34900-2004	CHY						E	OBSOLETE		1	2	3
KEYING OPTION C, YELLOW	34900-2003	CHY						C	OBSOLETE		1	2	3
KEYING OPTION B, YELLOW	34900-2002	CHY					B		SALEABLE		1	2	3
KEYING OPTION A, YELLOW	34900-2001	CHY					A		SALEABLE		1	2	3
ASSEMBLY DESCRIPTION	ASSEMBLY PART NUMBER						A B C E		STATUS	COMMENTS		DESIGNED TO MATE WITH DEVICE CONNECTION	

RING SEAL	BURNT RED	INHERENTLY LUBRICATED SILICONE	
ISL	NATURAL	SPS/NYLON GF20	
CPA	RED	PBT GF30	
TERMINAL HOUSING KEYING OPTION E	STONE GRAY	SPS/NYLON GF20	
TERMINAL HOUSING KEYING OPTION C	DARK GRAY	SPS/NYLON GF20	
TERMINAL HOUSING KEYING OPTION B	LT. GRAY	SPS/NYLON GF20	
TERMINAL HOUSING KEYING OPTION A	BLACK	SPS/NYLON GF20	
CONNECTOR HOUSING	BLACK	SPS/NYLON GF20	UPDATED LATCH
CONNECTOR HOUSING	YELLOW	SPS/NYLON GF20	UPDATED LATCH
CONNECTOR HOUSING	BLACK	SPS/NYLON GF20	
CONNECTOR HOUSING	YELLOW	SPS/NYLON GF20	
DESCRIPTION	COLOR	MATERIAL	COMMENTS

BOM/APPLICABLE COMPONENTS TABLE

ABBREVIATION	COMPONENT
CHY	CONNECTOR HOUSING YELLOW
CHB	CONNECTOR HOUSING BLACK
A	TERMINAL HOUSING KEY A
B	TERMINAL HOUSING KEY B
C	TERMINAL HOUSING KEY C
E	TERMINAL HOUSING KEY E
CPA	CPA
ISL	ISL
R	RING SEAL
1	USCAR INTERFACE 120-S-002-1-Z01 SEE NOTE 1 FOR WEBSITE
2	MOLEX INLINE BLADE CONNECTOR E-34899-2001
3	USCAR INTERFACE 120-S-002-1-Z02 SEE NOTE 1 FOR WEBSITE

<b>ENTER DESCRIPTION</b> IEC NO: UAU2015-1604 DRAWN BY: SHINANOI 2015/04/24 CHKD: CHYD APPR: IKOSHY 2015/04/29 REV: A9	<b>QUALITY SYMBOLS</b> ∇=0 ∇=0 ∇=0	<b>GENERAL TOLERANCES (UNLESS SPECIFIED)</b>		DIMENSION STYLE <b>MM ONLY</b>	SCALE <b>2:1</b>	DESIGN UNITS <b>METRIC</b>	THIRD ANGLE PROJECTION		
		4 PLACES ±.000 ±.000 3 PLACES ±.000 ±.000 2 PLACES ±0.10 ±.000 1 PLACE ±0.20 ±.000 0 PLACE ±0.50 ±	mm INCH	DRAWN BY DATE MYANSLAMBROU 2012/02/15	CHECKED BY DATE	TITLE <b>1.2MM 1X2. 1X3 RECPT. SEALED ASSEMBLY CABLE SEAL</b>			
		ANGULAR ± 3 °		APPROVED BY DATE GGA 2012/12/13	MATERIAL NO. DOCUMENT NO. <b>SEE BOM SD-34900-2001</b>				
		DRAFT WHERE APPLICABLE MUST REMAIN WITHIN DIMENSIONS		SHEET NO. 5 OF 6					

THIS DRAWING CONTAINS INFORMATION THAT IS PROPRIETARY TO MOLEX INCORPORATED AND SHOULD NOT BE USED WITHOUT WRITTEN PERMISSION

1X3 RECEPTACLE SEALED ASSEMBLY BOM SHEET 1

KEYING OPTION D, STONE GRAY	34900-3123				CHB			D	TOOLED BUT NOT VALIDATED		1	2	3
KEYING OPTION C, DARK GRAY	34900-3122				CHB			C	TOOLED BUT NOT VALIDATED		1	2	3
KEYING OPTION B, LIGHT GRAY	34900-3121				CHB		B		SALEABLE		1	2	3
KEYING OPTION A, BLACK	34900-3120				CHB		A		SALEABLE		1	2	3
KEYING OPTION D, YELLOW	34900-3104				CHY			D	TOOLED BUT NOT VALIDATED		1	2	3
KEYING OPTION C, YELLOW	34900-3103				CHY			C	TOOLED BUT NOT VALIDATED		1	2	3
KEYING OPTION B, YELLOW	34900-3102				CHY		B		SALEABLE		1	2	3
KEYING OPTION A, YELLOW	34900-3101				CHY		A		SALEABLE		1	2	3
KEYING OPTION D, STONE GRAY	34900-3023				CHB			D	OBSOLETE		1	2	3
KEYING OPTION C, DARK GRAY	34900-3022				CHB			C	OBSOLETE		1	2	3
KEYING OPTION B, LIGHT GRAY	34900-3021				CHB		B		OBSOLETE		1	2	3
KEYING OPTION A, BLACK	34900-3020				CHB		A		OBSOLETE		1	2	3
KEYING OPTION D, YELLOW	34900-3004				CHY			D	OBSOLETE		1	2	3
KEYING OPTION C, YELLOW	34900-3003				CHY			C	OBSOLETE		1	2	3
KEYING OPTION B, YELLOW	34900-3002				CHY		B		OBSOLETE		1	2	3
KEYING OPTION A, YELLOW	34900-3001				CHY		A		OBSOLETE		1	2	3
ASSEMBLY DESCRIPTION	ASSEMBLY PART NUMBER						A B C D		STATUS	COMMENTS	DESIGNED TO MATE WITH DEVICE CONNECTION		

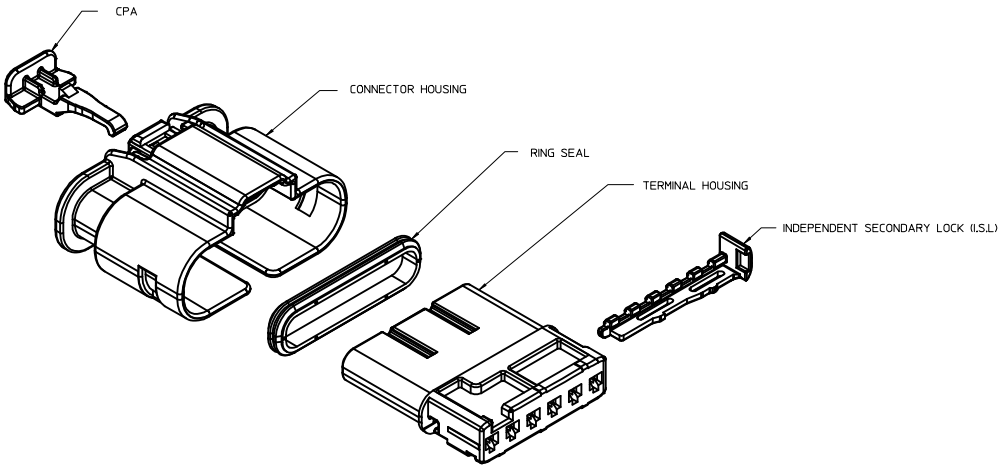
DESCRIPTION	COLOR	MATERIAL	COMMENTS
RING SEAL	LIGHT BLUE	INHERENTLY LUBRICATED SILICONE	
ISL	NATURAL	SPS/NYLON GF20	
CPA	RED	PBT GF30	
TERMINAL HOUSING KEYING OPTION D	STONE GRAY	SPS/NYLON GF20	
TERMINAL HOUSING KEYING OPTION C	DARK GRAY	SPS/NYLON GF20	
TERMINAL HOUSING KEYING OPTION B	LT. GRAY	SPS/NYLON GF20	
TERMINAL HOUSING KEYING OPTION A	BLACK	SPS/NYLON GF20	
CONNECTOR HOUSING	BLACK	SPS/NYLON GF20	UPDATED LATCH
CONNECTOR HOUSING	YELLOW	SPS/NYLON GF20	UPDATED LATCH
CONNECTOR HOUSING	BLACK	SPS/NYLON GF20	
CONNECTOR HOUSING	YELLOW	SPS/NYLON GF20	

ABREVIATION	COMPONENT
CHY	CONNECTOR HOUSING YELLOW
CHB	CONNECTOR HOUSING BLACK
A	TERMINAL HOUSING KEY A
B	TERMINAL HOUSING KEY B
C	TERMINAL HOUSING KEY C
D	TERMINAL HOUSING KEY D
CPA	CPA
ISL	ISL
R	RING SEAL
1	USCAR INTERFACE 120-S-003-1-Z01 SEE NOTE 1f FOR WEBSITE
2	MOLEX INLINE BLADE CONNECTOR E-34899-2001
3	USCAR INTERFACE 120-S-003-1-Z02 SEE NOTE 1f FOR WEBSITE

ENTER DESCRIPTION IEC NO. UAU2015-1604 DRAWN BY SHANU1 2015/01/24 CHKD: APPR:VKOSHY 2015/01/29	QUALITY SYMBOLS	GENERAL TOLERANCES (UNLESS SPECIFIED)	DIMENSION STYLE	SCALE	DESIGN UNITS	THIRD ANGLE PROJECTION
	▽=0	4 PLACES ± mm INCH	MM ONLY	5:1	METRIC	
	▽=0	3 PLACES ± 0.10 ± 0.20 ± 0.50				
	▽=0	1 PLACE ± 0.20 ± 0.50				
	ANGULAR ± 3 °	DRAFT WHERE APPLICABLE MUST REMAIN WITHIN DIMENSIONS	MATERIAL NO. SEE BOM	DATE 2012/12/13	DATE 2012/02/15	TITLE 12MM 1X2, 1X3 RECPT. SEALED ASSEMBLY CABLE SEAL
						<b>molex</b>
						DOCUMENT NO. SD-34900-2001
						SHEET NO. 6 OF 6

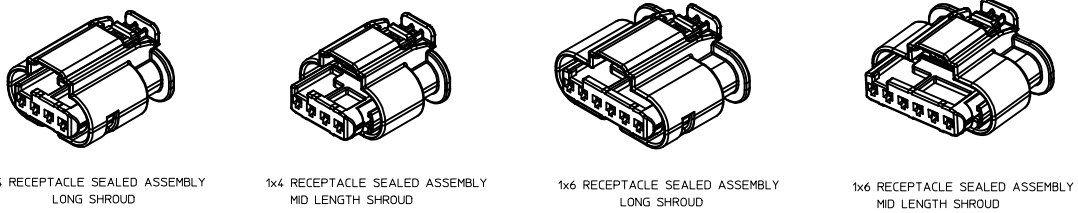
**TABLE OF CONTENTS**

SHEET NO.	SHEET DESCRIPTION
1	NOTES
2	1x4 RECEPTACLE SEALED ASSEMBLY KEYING CONFIGURATIONS
3	1x6 RECEPTACLE SEALED ASSEMBLY KEYING CONFIGURATIONS
4	RECEPTACLE SEALED ASSEMBLY
5	1x4 RECEPTACLE SEALED ASSEMBLY BOM SHEET
6	1x6 RECEPTACLE SEALED ASSEMBLY BOM SHEET



NOTES: VALID UNLESS OTHERWISE SPECIFIED

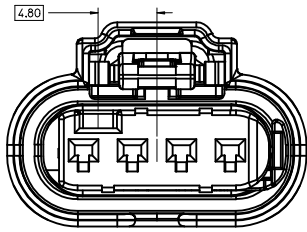
1. GENERAL:
  - a. APPLICATION SPECIFICATION SEE: AS-34900-0001  
CONTAINS: PRODUCT INTRODUCTION, PRODUCT SUMMARY, CONNECTOR ASSEMBLY, PACKAGING INFORMATION, CONNECTOR MATING, SERVICE INSTRUCTIONS, ELECTRICAL CONTINUITY CHECKING, CRIMPING, AND TROUBLESHOOTING.
  - b. PRODUCT SPECIFICATION SEE: PS-34900-0001  
CONTAINS: PRODUCT INTRODUCTION, PRODUCT SUMMARY, APPROVED TERMINALS, SINGLE WIRE SEALS, RATINGS (CURRENT, TEMPERATURE, SEALING, AND FLAMMABILITY), AND PRODUCT VALIDATION.
  - c. PACKAGING SPECIFICATION PER MOLEX DRAWING: PK-31301-898
  - d. PARTS MUST BE IN COMPLIANCE TO MOLEX CHEMICAL SUBSTANCES FOR PRODUCTS AND PACKAGING SPECIFICATION ES-40000-5016
  - e. DATA MUST BE SUBMITTED UNDER THE MOLEX PART NUMBER TO IMDS (COMPANY ID#13235)
  - f. DESIGNED TO MATE WITH DEVICE CONNECTION AS SPECIFIED IN BOM CHART USCAR INTERFACE DRAWINGS AND MODELS ARE AVAILABLE AT <http://ewcap.uscarteams.org/>.
2. DESIGN - MATERIALS:
  - a. SEE BOM TABLE
3. DESIGN - GEOMETRY:
  - a. THIS IS A 100% CAD GENERATED PART. THE CAD MATHEMATICAL DATA IS THE MASTER FOR THIS PART. FOR DIMENSIONAL OR ANY INFORMATION NOT SHOWN ON THIS DRAWING, ANALYZE THE CAD MODEL.
  - b. GEOMETRIC DIMENSIONS AND TOLERANCES PER ASME Y14.5M - 1994
  - c. EDGES AND UNDIMENSIONED DETAILS PER ISO13715
  - d. CORNERS SHOWN AS SHARP TO BE R 0.2 MAX
  - e. LETTERING SHALL BE 0.15 MAX RAISED IN 0.25 MAX RECESS PAD. THIS INCLUDES RECYCLING CODE, CAVITY ID, VENDOR IDENTIFICATION, AND CUSTOMER MATERIAL NUMBER.
  - f. VISUAL DEFECTS SHALL MEET COSMETIC STANDARD PS-45499-002 (Class B) CAD MODEL
- g. LASER MARKING:
  1. PART NUMBER
  2. DAY OF THE YEAR
  3. SHIFT
  4. YEAR



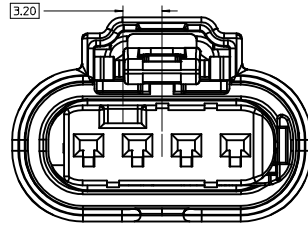
A10	PART #'S WITH NEW LATCH DESIGN SALEABLE
A9	PART #'S WITH NEW LATCH DESIGN SALEABLE
A8	ADDED NEW PART NUMBERS FOR LATCH IMPROVEMENT PARTS
A7	UPDATED 34900-6012 AND 34900-6012 TO SALEBLE
A6	UPDATED SHROUD LENGTH DIMENSION SCHEME
A5	BOM CORRECTIONS AND UPDATES
A4	BOM CORRECTIONS AND UPDATES
A3	NON SIR PART# OK TO TOOL
A2	BOM UPDATES FOR NON-SIR PART #
A1	1X6 MID LENGTH SHROUD OK TO TOOL
A	1X4 INLINE VIEWS ADDED
1	INITIAL RELEASE
REV	DESCRIPTION

<b>ENTER DESCRIPTION</b> ELC NO: UAU2015-1081 DRAWN BY: SHINAWATI 2015/01/08 CHKD: APPR: WOSHY 2015/01/15 REV	<b>QUALITY SYMBOLS</b> ∇=0 ∇=0 ∇=0	<b>GENERAL TOLERANCES (UNLESS SPECIFIED)</b>		DIMENSION STYLE <b>MM ONLY</b>	SCALE <b>3:1</b>	DESIGN UNITS <b>METRIC</b>	THIRD ANGLE PROJECTION 
		4 PLACES ±0.10 3 PLACES ±0.15 2 PLACES ±0.20 1 PLACE ±0.25 0 PLACE ±0.50	mm INCH	DATE 2012/05/03	DATE 2012/12/13	TITLE <b>12MM 1X4, 1X6 RECPT. SEALED ASSEMBLY CABLE SEAL</b>	MATERIAL NO. <b>SEE TABLE</b>
DRAFT WHERE APPLICABLE MUST REMAIN WITHIN DIMENSIONS		THIS DRAWING CONTAINS INFORMATION THAT IS PROPRIETARY TO MOLEX INCORPORATED AND SHOULD NOT BE USED WITHOUT WRITTEN PERMISSION					

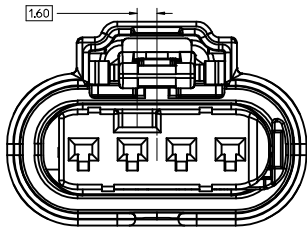
1x4 RECEPTACLE SEALED ASSEMBLY KEYING CONFIGURATIONS. FOR PART NUMBERS REFER TO BOM SHEET.



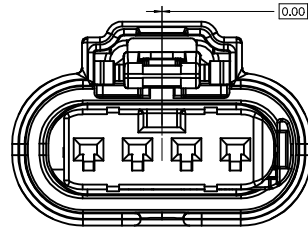
KEYING OPTION A



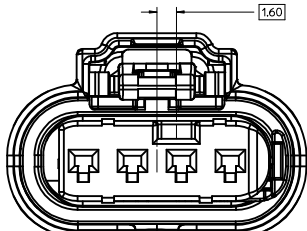
KEYING OPTION E



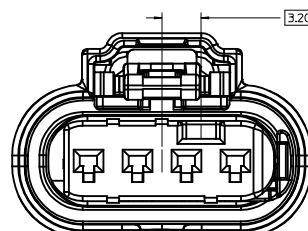
KEYING OPTION B



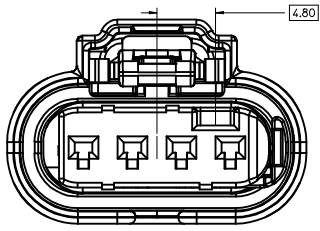
KEYING OPTION F



KEYING OPTION C



KEYING OPTION G

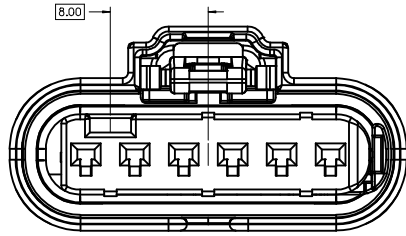


KEYING OPTION D

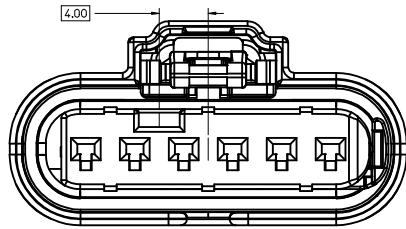
<b>ENTER DESCRIPTION</b> EEC NO: UAU2015-1081 DRAWN BY: SHANMUGI CHKD: APPR: VIOSHY DATE: 2015/01/15 REV: A10	QUALITY SYMBOLS	GENERAL TOLERANCES (UNLESS SPECIFIED)	DIMENSION STYLE	SCALE	DESIGN UNITS	THIRD ANGLE PROJECTION	
	▽=0	4 PLACES ± mm ± INCH	MM ONLY	5:1	METRIC	☉	
	▽=0	3 PLACES ± 0.10 ± 0.004					
	▽=0	1 PLACE ± 0.20 ± 0.008					
		0 PLACE ± 0.50 ± 0.020					
		ANGULAR ± 3 °					
		DRAFT WHERE APPLICABLE MUST REMAIN WITHIN DIMENSIONS					
			DRAWN BY: MYANSLAMBROU	DATE: 2012/05/03	TITLE: 12MM 1X4, 1X6 RECPT. SEALED ASSEMBLY CABLE SEAL		
			CHECKED BY:	DATE:			
			APPROVED BY: GGA	DATE: 2012/12/13			
			MATERIAL NO: SEE BOM		DOCUMENT NO: SD-34900-6001	SHEET NO: 2 OF 6	
			THIS DRAWING CONTAINS INFORMATION THAT IS PROPRIETARY TO MOLEX INCORPORATED AND SHOULD NOT BE USED WITHOUT WRITTEN PERMISSION				



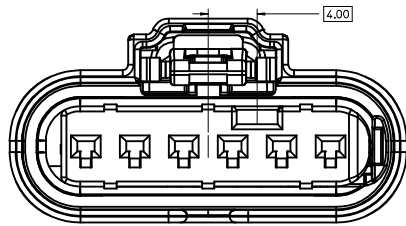
1x6 RECEPTACLE SEALED ASSEMBLY KEYING CONFIGURATIONS. FOR PART NUMBERS REFER TO BOM SHEET.



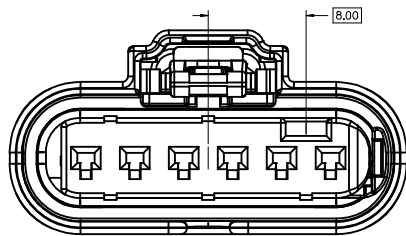
KEYING OPTION A



KEYING OPTION B



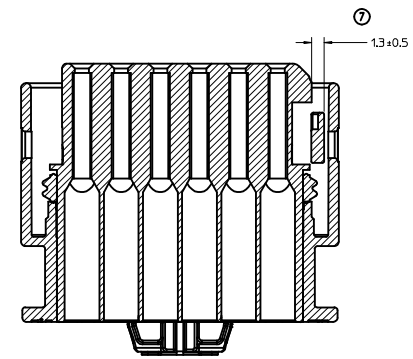
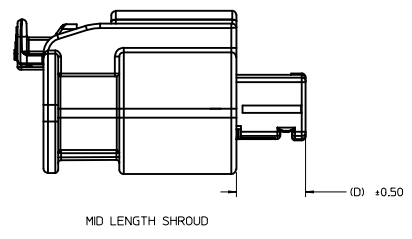
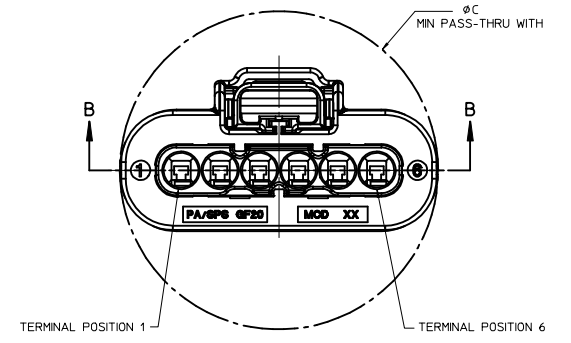
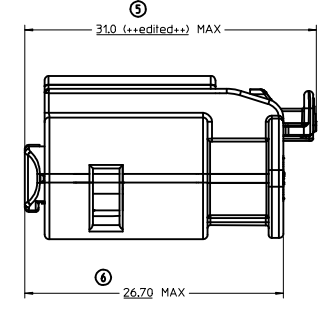
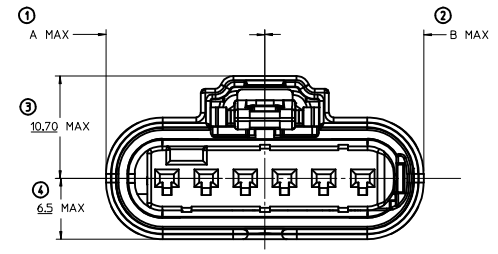
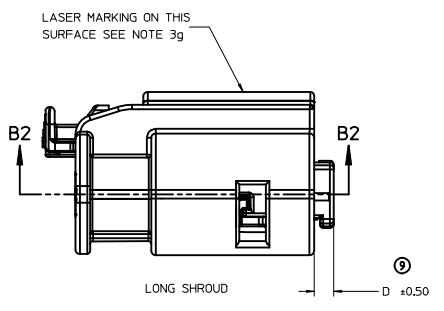
KEYING OPTION C



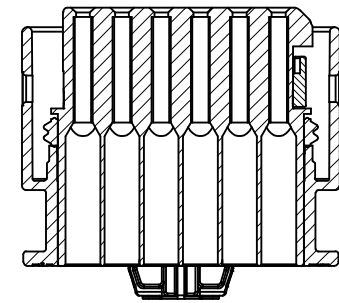
KEYING OPTION D

SEE SHEET 1 ELEC NO: UAU2015-1081 DRAWN BY: SHANU1 2015/01/08 CHYD: APPR: VKOSHY 2015/01/15	QUALITY SYMBOLS	GENERAL TOLERANCES (UNLESS SPECIFIED)	DIMENSION STYLE	SCALE	DESIGN UNITS	THIRD ANGLE PROJECTION
	▽=0 ▽=0 ▽=0	4 PLACES ± --- ± --- 3 PLACES ± --- ± --- 2 PLACES ± 0.10 ± --- 1 PLACE ± 0.20 ± --- 0 PLACE ± 0.50 ± ---	mm INCH ANGULAR ± 3 ° DRAFT WHERE APPLICABLE MUST REMAIN WITHIN DIMENSIONS	MM ONLY DRAWN BY: MYANSLAMBROU 2012/05/03 CHECKED BY: DATE APPROVED BY: GGA 2012/12/13 DATE	5:1	METRIC
A10	SIZE D	THIS DRAWING CONTAINS INFORMATION THAT IS PROPRIETARY TO MOLEX INCORPORATED AND SHOULD NOT BE USED WITHOUT WRITTEN PERMISSION		SHEET NO. 3 OF 6		

RECEPTACLE SEALED ASSEMBLY



SECTION B-B  
INDEPENDENT SECONDARY LOCK (ISL)  
SHOWN IN THE PRE-STAGED POSITION



SECTION B2-B2  
INDEPENDENT SECONDARY LOCK (ISL)  
SHOWN IN THE FINAL-LOCK POSITION

DESCRIPTION	A	B	C	D
1x6 MID LENGTH SHROUD	16.5	16.5	33.0	6.70
1x4 MID LENGTH SHROUD	16.5	16.5	25.0	6.70
1x6 LONG SHROUD	16.5	16.5	33.0	2.00
1x4 LONG SHROUD	12.5	12.5	25.0	2.00

CHARTED DIMENSIONS

<b>ENTER DESCRIPTION</b> ELEC NO: UAU2015-1081 DRAWN BY: SHINANI CHKD: APPR: IKOSHI REV: 2015/01/15 DESCRIPTION	QUALITY SYMBOLS	GENERAL TOLERANCES (UNLESS SPECIFIED)	DIMENSION STYLE	SCALE	DESIGN UNITS	THIRD ANGLE PROJECTION
	▽=0	mm INCH	MM ONLY	4:1	METRIC	
	▽=0	4 PLACES ± --- ± ---	DRAWN BY: MYANSLAMBROU	DATE: 2012/05/03	TITLE: 12MM 1X4, 1X6 RECPT. SEALED ASSEMBLY CABLE SEAL	
	▽=0	3 PLACES ± 0.10 ± ---	CHECKED BY: GGA	DATE: 2012/12/13	<b>molex</b>	
	1 PLACE ± 0.20 ± ---	ANGULAR ± 3 °	APPROVED BY: GGA	DATE: 2012/12/13	DOCUMENT NO: SD-34900-6001	SHEET NO: 4 OF 6
	0 PLACE ± 0.50 ± ---	DRAFT WHERE APPLICABLE MUST REMAIN WITHIN DIMENSIONS	MATERIAL NO: SEE BOM			
A10			SIZE D	THIS DRAWING CONTAINS INFORMATION THAT IS PROPRIETARY TO MOLEX INCORPORATED AND SHOULD NOT BE USED WITHOUT WRITTEN PERMISSION		

1x4 RECEPTACLE SEALED ASSEMBLY BOM SHEET 1

KEY OPTION	CONNECTOR HOUSING COLOR	TERMINAL HOUSING COLOR	OUTER HOUSING SHROUD LENGTH	ASSEMBLY PART NUMBER	CHMB	A	B	C	D	E	F	G	PRODUCTION TOOL STATUS	COMMENTS
KEY OPTION G	BLACK	LIGHT GRAY	MID LENGTH	34900-4136									CONCEPT	1 2
KEY OPTION F	BLACK	BLACK	MID LENGTH	34900-4135									CONCEPT	1 2
KEY OPTION E	BLACK	DARK GRAY	MID LENGTH	34900-4134									CONCEPT	1 2
KEY OPTION D	BLACK	LIGHT GRAY	MID LENGTH	34900-4133									CONCEPT	1 2
KEY OPTION C	BLACK	DARK GRAY	MID LENGTH	34900-4132									CONCEPT	1 2
KEY OPTION B	BLACK	STONE GRAY	MID LENGTH	34900-4131									CONCEPT	1 2
KEY OPTION A	BLACK	BLACK	MID LENGTH	34900-4130									CONCEPT	1 2
KEY OPTION G	BLACK	LIGHT GRAY	LONG	34900-4126									TOOLED BUT NOT VALIDATED	1 2
KEY OPTION F	BLACK	BLACK	LONG	34900-4125									TOOLED BUT NOT VALIDATED	1 2
KEY OPTION E	BLACK	DARK GRAY	LONG	34900-4124									TOOLED BUT NOT VALIDATED	1 2
KEY OPTION D	BLACK	LIGHT GRAY	LONG	34900-4123									TOOLED BUT NOT VALIDATED	1 2
KEY OPTION C	BLACK	DARK GRAY	LONG	34900-4122									TOOLED BUT NOT VALIDATED	1 2
KEY OPTION B	BLACK	STONE GRAY	LONG	34900-4121									TOOLED BUT NOT VALIDATED	1 2
KEY OPTION A	BLACK	BLACK	LONG	34900-4120									TOOLED BUT NOT VALIDATED	1 2
KEY OPTION G	YELLOW	LIGHT GRAY	LONG	34900-4116									SALEABLE	1 2
KEY OPTION F	YELLOW	BLACK	LONG	34900-4115									SALEABLE	1 2
KEY OPTION E	YELLOW	DARK GRAY	LONG	34900-4114									TOOLED BUT NOT VALIDATED	1 2
KEY OPTION D	YELLOW	LIGHT GRAY	LONG	34900-4113									TOOLED BUT NOT VALIDATED	1 2
KEY OPTION C	YELLOW	DARK GRAY	LONG	34900-4112									TOOLED BUT NOT VALIDATED	1 2
KEY OPTION B	YELLOW	STONE GRAY	LONG	34900-4111									TOOLED BUT NOT VALIDATED	1 2
KEY OPTION A	YELLOW	BLACK	LONG	34900-4110									TOOLED BUT NOT VALIDATED	1 2
KEY OPTION G	BLACK	LIGHT GRAY	LONG	34900-4026									OBSOLETE	1 2
KEY OPTION F	BLACK	BLACK	LONG	34900-4025									OBSOLETE	1 2
KEY OPTION E	BLACK	DARK GRAY	LONG	34900-4024									OBSOLETE	1 2
KEY OPTION D	BLACK	LIGHT GRAY	LONG	34900-4023									OBSOLETE	1 2
KEY OPTION C	BLACK	DARK GRAY	LONG	34900-4022									OBSOLETE	1 2
KEY OPTION B	BLACK	STONE GRAY	LONG	34900-4021									OBSOLETE	1 2
KEY OPTION A	BLACK	BLACK	LONG	34900-4020									OBSOLETE	1 2
KEY OPTION G	YELLOW	LIGHT GRAY	LONG	34900-4016									OBSOLETE	1 2
KEY OPTION F	YELLOW	BLACK	LONG	34900-4015									OBSOLETE	1 2
KEY OPTION E	YELLOW	DARK GRAY	LONG	34900-4014									OBSOLETE	1 2
KEY OPTION D	YELLOW	LIGHT GRAY	LONG	34900-4013									OBSOLETE	1 2
KEY OPTION C	YELLOW	DARK GRAY	LONG	34900-4012									OBSOLETE	1 2
KEY OPTION B	YELLOW	STONE GRAY	LONG	34900-4011									OBSOLETE	1 2
KEY OPTION A	YELLOW	BLACK	LONG	34900-4010									OBSOLETE	1 2
ASSEMBLY DESCRIPTION	CONNECTOR HOUSING COLOR	TERMINAL HOUSING COLOR	OUTER HOUSING SHROUD LENGTH	ASSEMBLY PART NUMBER									PRODUCTION TOOL STATUS	COMMENTS

ABREVIATION	COMPONENT
CHY	CONNECTOR HOUSING YELLOW
CHB	CONNECTOR HOUSING BLACK
CHBM	CONNECTOR HOUSING BLACK MID SHROUD
A	TERMINAL HOUSING KEY A
B	TERMINAL HOUSING KEY B
C	TERMINAL HOUSING KEY C
D	TERMINAL HOUSING KEY D
E	TERMINAL HOUSING KEY E
F	TERMINAL HOUSING KEY F
G	TERMINAL HOUSING KEY G
CPA	CPA
ISL	ISL
RING SEAL	RING SEAL
1	USCAR INTERFACE 120-S-004-1-202 SEE NOTE 1f FOR WEBSITE
2	MOLEX INLINE BLADE CONNECTOR SD-34899-6001

DESCRIPTION	COLOR	MATERIAL	COMMENTS
RING SEAL	LIGHT BLUE	INHERENTLY LUBRICATED SILICONE	
ISL	NATURAL	SPS/NYLON GF20	
CPA	RED	PBT GF30	
TERMINAL HOUSING KEYING OPTION G	LIGHT GRAY	SPS/NYLON GF20	
TERMINAL HOUSING KEYING OPTION F	BLACK	SPS/NYLON GF20	
TERMINAL HOUSING KEYING OPTION E	DARK GRAY	SPS/NYLON GF20	
TERMINAL HOUSING KEYING OPTION D	LIGHT GRAY	SPS/NYLON GF20	
TERMINAL HOUSING KEYING OPTION C	DARK GRAY	SPS/NYLON GF20	
TERMINAL HOUSING KEYING OPTION B	STONE GRAY	SPS/NYLON GF20	
TERMINAL HOUSING KEYING OPTION A	BLACK	SPS/NYLON GF20	
MID LENGTH CONNECTOR HOUSING	BLACK	SPS/NYLON GF20	
CONNECTOR HOUSING	BLACK	SPS/NYLON GF20	UPDATED LATCH
CONNECTOR HOUSING	YELLOW	SPS/NYLON GF20	UPDATED LATCH
CONNECTOR HOUSING	BLACK	SPS/NYLON GF20	
CONNECTOR HOUSING	YELLOW	SPS/NYLON GF20	

<b>ENTER DESCRIPTION</b> ELEC NO: UAU2015-1081 DRAWN BY: SHANAN 2015/01/08 CHYK: APPR: IKOSHY 2015/01/15 REV:	QUALITY SYMBOLS ∇=0 ∇=0 ∇=0	GENERAL TOLERANCES (UNLESS SPECIFIED) mm INCH 4 PLACES ± --- ± --- 3 PLACES ± --- ± --- 2 PLACES ± 0.10 ± --- 1 PLACE ± 0.20 ± --- 0 PLACE ± 0.50 ± --- ANGULAR ± 3 ° DRAFT WHERE APPLICABLE MUST REMAIN WITHIN DIMENSIONS	DIMENSION STYLE MM ONLY DRAWN BY DATE MYANSLAMBROU 2012/05/03 CHECKED BY DATE APPROVED BY DATE GGA 2012/12/13	SCALE 5:1 DESIGN UNITS METRIC THIRD ANGLE PROJECTION	TITLE 12MM 1X4, 1X6 RECP. SEALED ASSEMBLY CABLE SEAL <b>molex</b> MATERIAL NO. SEE BOM DOCUMENT NO. SD-34900-6001 SHEET NO. 5 OF 6
	THIS DRAWING CONTAINS INFORMATION THAT IS PROPRIETARY TO MOLEX INCORPORATED AND SHOULD NOT BE USED WITHOUT WRITTEN PERMISSION				

1x6 RECEPTACLE SEALED ASSEMBLY BOM SHEET 1

KEY OPTION D	BLACK	STONE GRAY	MID LENGTH	34900-6190					CHMB		D	SALEABLE				3	
KEY OPTION C	BLACK	DARK GRAY	MID LENGTH	34900-6121					CHMB		C	SALEABLE				3	
KEY OPTION B	BLACK	LIGHT GRAY	MID LENGTH	34900-6128					CHMB	B		SALEABLE				3	
KEY OPTION A	BLACK	BLACK	MID LENGTH	34900-6119					CHMB	A		SALEABLE				3	
KEY OPTION D	BLACK	STONE GARY	LONG	34900-6143					CHLB		D	TOOLED BUT NOT VALIDATED	1	2			
KEY OPTION C	BLACK	DARK GRAY	LONG	34900-6142					CHLB		C	TOOLED BUT NOT VALIDATED	1	2			
KEY OPTION B	BLACK	LIGHT GRAY	LONG	34900-6141					CHLB	B		TOOLED BUT NOT VALIDATED	1	2			
KEY OPTION A	BLACK	BLACK	LONG	34900-6140					CHLB	A		TOOLED BUT NOT VALIDATED	1	2			
KEY OPTION D	YELLOW	STONE GRAY	LONG	34900-6113					CHLY		D	SALEABLE	1	2			
KEY OPTION C	YELLOW	DARK GRAY	LONG	34900-6112					CHLY		C	SALEABLE	1	2			
KEY OPTION B	YELLOW	LIGHT GRAY	LONG	34900-6111					CHLY	B		SALEABLE	1	2			
KEY OPTION A	YELLOW	BLACK	LONG	34900-6110					CHLY	A		SALEABLE	1	2			
KEY OPTION D	BLACK	STONE GRAY	MID LENGTH	34900-6030					CHMB		D	OBSOLETE				3	
KEY OPTION C	BLACK	DARK GRAY	MID LENGTH	34900-6021					CHMB		C	OBSOLETE				3	
KEY OPTION B	BLACK	LIGHT GRAY	MID LENGTH	34900-6028					CHMB	B		OBSOLETE				3	
KEY OPTION A	BLACK	BLACK	MID LENGTH	34900-6019					CHMB	A		OBSOLETE				3	
KEY OPTION D	BLACK	STONE GARY	LONG	34900-6043					CHLB		D	OBSOLETE	1	2			
KEY OPTION C	BLACK	DARK GRAY	LONG	34900-6042					CHLB		C	OBSOLETE	1	2			
KEY OPTION B	BLACK	LIGHT GRAY	LONG	34900-6041					CHLB	B		OBSOLETE	1	2			
KEY OPTION A	BLACK	BLACK	LONG	34900-6040					CHLB	A		OBSOLETE	1	2			
KEY OPTION D	YELLOW	STONE GRAY	LONG	34900-6013					CHLY		D	OBSOLETE	1	2			
KEY OPTION C	YELLOW	DARK GRAY	LONG	34900-6012					CHLY		C	OBSOLETE	1	2			
KEY OPTION B	YELLOW	LIGHT GRAY	LONG	34900-6011					CHLY	B		OBSOLETE	1	2			
KEY OPTION A	YELLOW	BLACK	LONG	34900-6010					CHLY	A		OBSOLETE	1	2			
ASSEMBLY DESCRIPTION	CONNECTOR HOUSING COLOR	TERMINAL CAVITY COLOR	OUTER HOUSING SHROUD LENGTH	ASSEMBLY PART NUMBER						A B C D		PRODUCTION TOOL STATUS	COMMENTS	DESIGNED TO MATE WITH DEVICE CONNECTION	1	2	3

LEGEND TABLE	
ABREVIATION	COMPONENT
CHLY	CONNECTOR HOUSING LONG YELLOW
CHLB	CONNECTOR HOUSING LONG BLACK
CHMB	CONNECTOR HOUSING MEDIUM BLACK
A	TERMINAL HOUSING KEY A
B	TERMINAL HOUSING KEY B
C	TERMINAL HOUSING KEY C
D	TERMINAL HOUSING KEY D
CPA	CPA
ISL	ISL
RING SEAL	RING SEAL
1	USCAR INTERFACE 120-S-006-1-Z02 SEE NOTE 1f FOR WEBSITE
2	MOLEX INLINE BLADE CONNECTOR SD-34899-6001
3	USCAR INTERFACE 120-S-006-1-Z04 SEE NOTE 1f FOR WEBSITE

DESCRIPTION	COLOR	MATERIAL	COMMENTS
RING SEAL		INHERENTLY LUBRICATED SILICONE	
ISL	NATURAL	SPS/NYLON GF20	
CPA	RED	PBT GF30	
TERMINAL HOUSING KEYING OPTION D	STONE GRAY	SPS/NYLON GF20	
TERMINAL HOUSING KEYING OPTION C	DARK GRAY	SPS/NYLON GF20	
TERMINAL HOUSING KEYING OPTION B	LIGHT GRAY	SPS/NYLON GF20	
TERMINAL HOUSING KEYING OPTION A	BLACK	SPS/NYLON GF20	
CONNECTOR HOUSING MID LENGTH	BLACK	SPS/NYLON GF20	UPDATED LATCH
CONNECTOR HOUSING LONG	BLACK	SPS/NYLON GF20	UPDATED LATCH
CONNECTOR HOUSING LONG	YELLOW	SPS/NYLON GF20	UPDATED LATCH
CONNECTOR HOUSING MID LENGTH	BLACK	SPS/NYLON GF20	
CONNECTOR HOUSING LONG	BLACK	SPS/NYLON GF20	
CONNECTOR HOUSING LONG	YELLOW	SPS/NYLON GF20	

ENTER DESCRIPTION ELEC NO: UAU2015-1081 DRAWN/KARI SHINANI 2015/01/08 CHKD: APPR: IKOSHI REV: A10	QUALITY SYMBOLS	GENERAL TOLERANCES (UNLESS SPECIFIED)	DIMENSION STYLE	SCALE	DESIGN UNITS	THIRD ANGLE PROJECTION
	▽=0	4 PLACES ± --- ± ---	mm	MM ONLY	2:1	METRIC
	▽=0	3 PLACES ± --- ± ---	INCH	DRAWN BY DATE		
	▽=0	2 PLACES ± 0.10 ± ---		MYANSLAMBROU 2012/05/03		
		1 PLACE ± 0.20 ± ---	CHECKED BY DATE			
		0 PLACE ± 0.50 ±	APPROVED BY DATE			
		ANGULAR ± 3 °	GGA 2012/12/13			
		DRAFT WHERE APPLICABLE MUST REMAIN WITHIN DIMENSIONS	MATERIAL NO. SEE TABLE			
			DOCUMENT NO. SD-34900-6001			
			SHEET NO. 6 OF 6			