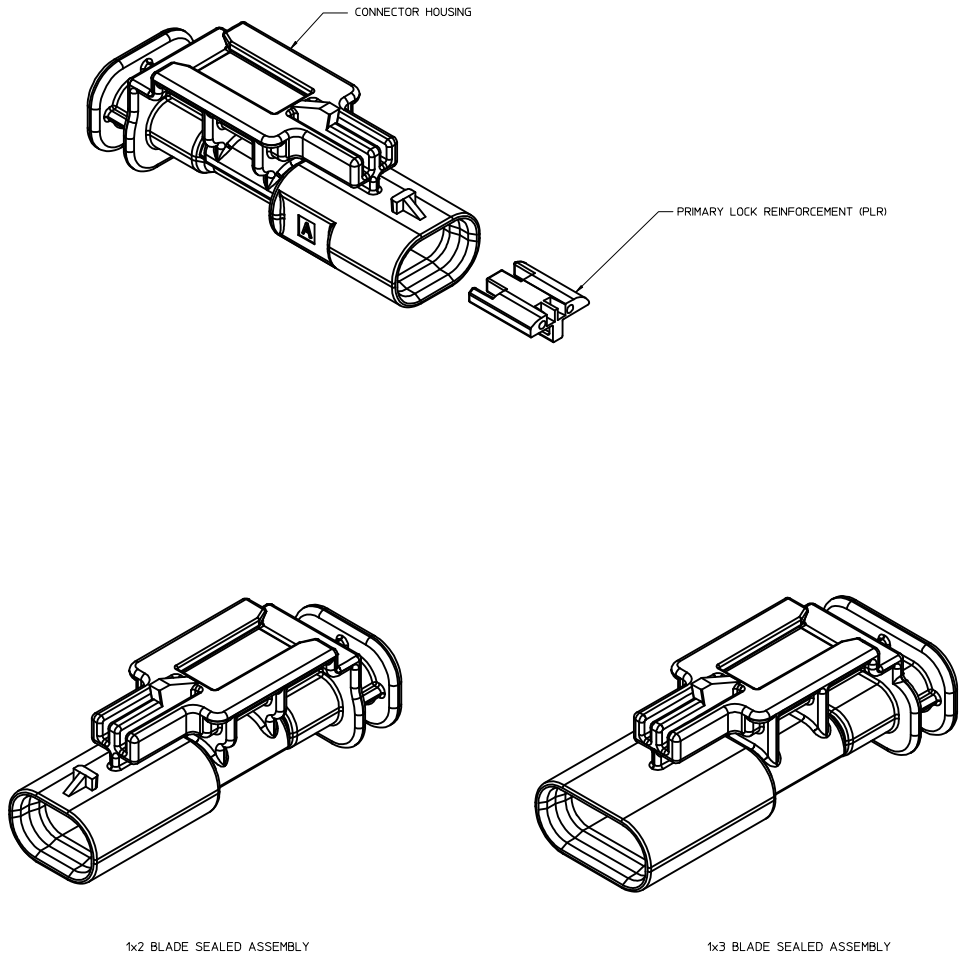


**TABLE OF CONTENTS**

| SHEET NO. | SHEET DESCRIPTION                               |
|-----------|---|
| 1         | NOTES   |
| 2         | 1x2 BLADE SEALED ASSEMBLY KEYING CONFIGURATIONS |
| 3         | 1x3 BLADE SEALED ASSEMBLY KEYING CONFIGURATIONS |
| 4         | CLIP-SLOT CONFIGURATIONS                        |
| 5         | BLADE SEALED ASSEMBLY                           |
| 6         | CONNECTION SYSTEM PACKAGING                     |
| 7         | 1x2 BLADE SEALED ASSEMBLY BOM SHEET 1           |
| 8         | 1x3 BLADE SEALED ASSEMBLY BOM SHEET 1           |



**NOTES: VALID UNLESS OTHERWISE SPECIFIED**

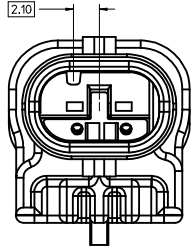
1. GENERAL:
  - a. APPLICATION SPECIFICATION SEE: AS-34900-0001  
CONTAINS: PRODUCT INTRODUCTION, PRODUCT SUMMARY, CONNECTOR ASSEMBLY, PACKAGING INFORMATION, CONNECTOR MATING, SERVICE INSTRUCTIONS, ELECTRICAL CONTINUITY CHECKING, CRIMPING, AND TROUBLESHOOTING.
  - b. PRODUCT SPECIFICATION SEE: PS-34900-0001  
CONTAINS: PRODUCT INTRODUCTION, PRODUCT SUMMARY, RATINGS (CURRENT, TEMPERATURE, SEALING, AND FLAMMABILITY), AND PRODUCT VALIDATION.
  - c. PACKAGING SPECIFICATION PER MOLEX DRAWING: PK-31301-898
  - d. PARTS MUST BE IN COMPLIANCE TO MOLEX CHEMICAL SUBSTANCES FOR PRODUCTS AND PACKAGING SPECIFICATION: ES-40000-5016
  - e. DATA MUST BE SUBMITTED UNDER THE MOLEX PART NUMBER TO IMDS (COMPANY ID#13255)
2. DESIGN - MATERIALS:
  - a. SEE BOM TABLE
3. DESIGN - GEOMETRY:
  - a. THIS IS A 100% CAD GENERATED PART. THE CAD MATHEMATICAL DATA IS THE MASTER FOR THIS PART. FOR DIMENSIONAL OR ANY INFORMATION NOT SHOWN ON THIS DRAWING, ANALYZE THE CAD MODEL.
  - b. GEOMETRIC DIMENSIONS AND TOLERANCES PER ASME Y14.5M - 1994
  - c. EDGES AND UNDIMENSIONED DETAILS PER ISO13715
  - d. CORNERS SHOWN AS SHARP TO BE R 0.2 MAX.
  - e. LETTERING SHALL BE 0.15 MAX RAISED IN 0.25 MAX RECESS PAD. THIS INCLUDES RECYCLING CODE, CAVITY ID, VENDOR IDENTIFICATION.
  - f. VISUAL DEFECTS SHALL MEET COSMETIC STANDARD PS-45499-002 (Class B)
  - g. LASER MARKING:
    1. PART NUMBER
    2. DAY OF THE YEAR
    3. SHIFT
    4. YEAR

INSPECTION NUMBER LOG  
LAST NUMBER USED:  
ADDED:  
REMOVED:

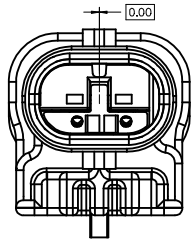
| REV | DESCRIPTION  |
|-----|--|
| A9  | 1X2,1X3 PART # STATUS UPDATED                        |
| A8  | 1X2 40G CLIP-SLOT OK TO TOOL                         |
| A7  | 1X2,1X3 PART # UPDATED TO "TOOLED BUT NOT VALIDATED" |
| A6  | ADDED 40G CLIP-SLOT PART NUMBERS                     |
| A5  | BOM CORRECTIONS AND UPDATES                          |
| A4  | BOM CORRECTIONS AND UPDATES                          |
| A3  | 1x2, 1x3 NON-SIR PART# OK TO TOOL                    |
| A2  | ADDED 1x3 11mm CLIP-SLOT PART #                      |
| A   | ADDED BLACK PART# AND MINOR BOM UPDATES              |
| 6   | ADDED CLIP SLOT CONFIGURATIONS                       |
| 5   | 1x3 BOM UPDATED                                      |
| 4   | 1X3 INLINE ASSY VIEWS ADDED                          |
| 3   | MINOR BOM CORRECTIONS                                |
| 2   | UPDATED PACKAGING DIMENSIONS                         |
| 1   | INITIAL RELEASE                                      |

| <b>1X3 VIEWS ADDED</b><br>IEC NO: 04UJ2015-1604<br>DRAWN BY: SHANMUGI 2015/04/24<br>CHKD:<br>APPR: VIKASHY 2015/04/29<br>REV: | QUALITY SYMBOLS<br>∇=0<br>∇=0<br>∇=0 | GENERAL TOLERANCES (UNLESS SPECIFIED):<br><table border="1"> <thead> <tr> <th></th> <th>mm</th> <th>INCH</th> </tr> </thead> <tbody> <tr> <td>4 PLACES</td> <td>±.004</td> <td>±.0001</td> </tr> <tr> <td>3 PLACES</td> <td>±.005</td> <td>±.0002</td> </tr> <tr> <td>2 PLACES</td> <td>±.010</td> <td>±.0004</td> </tr> <tr> <td>1 PLACE</td> <td>±.020</td> <td>±.0008</td> </tr> <tr> <td>0 PLACE</td> <td>±.050</td> <td>±.0020</td> </tr> </tbody> </table> ANGULAR ± 3 °<br>DRAFT WHERE APPLICABLE MUST REMAIN WITHIN DIMENSIONS |        | mm | INCH | 4 PLACES | ±.004 | ±.0001 | 3 PLACES | ±.005 | ±.0002 | 2 PLACES | ±.010 | ±.0004 | 1 PLACE | ±.020 | ±.0008 | 0 PLACE | ±.050 | ±.0020 | DIMENSION STYLE<br><b>MM ONLY</b><br>DRAWN BY: SKRAJENDRANA 2013/11/06<br>CHECKED BY: DATE<br>APPROVED BY: DATE | SCALE: 4:1<br>DESIGN UNITS: METRIC<br>THIRD ANGLE PROJECTION | TITLE: 12MM 1X2, 1X3 BLADE SEALED ASSEMBLY CABLE SEAL<br><b>molex</b> | MATERIAL NO: SEE BOM<br>DOCUMENT NO: SD-34899-0001<br>SHEET NO: 1 OF 8 |
|---|--------------------------------------|--|--------|----|------|----------|-------|--------|----------|-------|--------|----------|-------|--------|---------|-------|--------|---------|-------|--------|---|--|---|--|
|   |                                      | mm   | INCH   |    |      |          |       |        |          |       |        |          |       |        |         |       |        |         |       |        |   |  |   |  |
|   | 4 PLACES                             | ±.004  | ±.0001 |    |      |          |       |        |          |       |        |          |       |        |         |       |        |         |       |        |   |  |   |  |
| 3 PLACES  | ±.005                                | ±.0002   |        |    |      |          |       |        |          |       |        |          |       |        |         |       |        |         |       |        |   |  |   |  |
| 2 PLACES  | ±.010                                | ±.0004   |        |    |      |          |       |        |          |       |        |          |       |        |         |       |        |         |       |        |   |  |   |  |
| 1 PLACE   | ±.020                                | ±.0008   |        |    |      |          |       |        |          |       |        |          |       |        |         |       |        |         |       |        |   |  |   |  |
| 0 PLACE   | ±.050                                | ±.0020   |        |    |      |          |       |        |          |       |        |          |       |        |         |       |        |         |       |        |   |  |   |  |
| THIS DRAWING CONTAINS INFORMATION THAT IS PROPRIETARY TO MOLEX INCORPORATED AND SHOULD NOT BE USED WITHOUT WRITTEN PERMISSION |                                      |  |        |    |      |          |       |        |          |       |        |          |       |        |         |       |        |         |       |        |   |  |   |  |
| SIZE: D   |                                      |  |        |    |      |          |       |        |          |       |        |          |       |        |         |       |        |         |       |        |   |  |   |  |

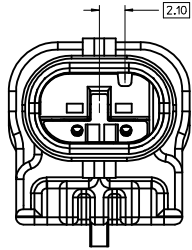
1x2 BLADE SEALED ASSEMBLY KEYING CONFIGURATIONS. FOR PART NUMBERS REFER TO BOM SHEET.



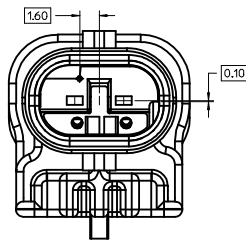
KEYING OPTION A



KEYING OPTION B



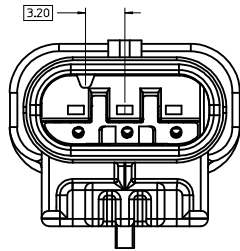
KEYING OPTION C



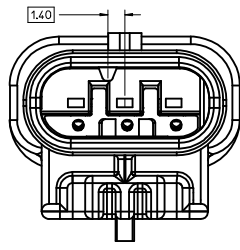
KEYING OPTION E

|  |                 |  |   |       |               |                        |
|--|-----------------|--|---|-------|---------------|------------------------|
| <b>1x3 VIEWS ADDED</b><br>IEC NO: UAU2015-1604<br>DRAWN: KRI SHANU1 2015/04/24<br>CHKD:<br>APPR: VKOSHY 2015/04/29 | QUALITY SYMBOLS | GENERAL TOLERANCES (UNLESS SPECIFIED)                | DIMENSION STYLE   | SCALE | DESIGN UNITS  | THIRD ANGLE PROJECTION |
|  | ▽=0             | 4 PLACES ± mm ± INCH                                 | MM ONLY   | 5:1   | METRIC        | ☉                      |
|  | ▽=0             | 3 PLACES ± 0.10 ± --- ± ---                          |   |       |               |                        |
|  | ▽=0             | 2 PLACES ± 0.20 ± 0.50 ± --- ± ---                   |   |       |               |                        |
|  |                 | ANGULAR ± 3 °  |   |       |               |                        |
|  |                 | DRAFT WHERE APPLICABLE MUST REMAIN WITHIN DIMENSIONS |   |       |               |                        |
|  |                 |  | MATERIAL NO.  |       | DOCUMENT NO.  | SHEET NO.              |
|  |                 |  | SEE BOM   |       | SD-34899-2001 | 2 OF 8                 |
|  |                 |  | THIS DRAWING CONTAINS INFORMATION THAT IS PROPRIETARY TO MOLEX INCORPORATED AND SHOULD NOT BE USED WITHOUT WRITTEN PERMISSION |       |               |                        |

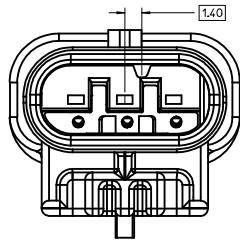
1x3 BLADE SEALED ASSEMBLY KEYING CONFIGURATIONS. FOR PART NUMBERS REFER TO BOM SHEET.



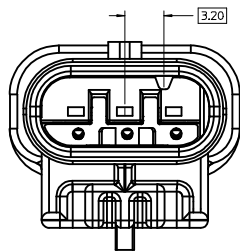
KEYING OPTION A



KEYING OPTION B



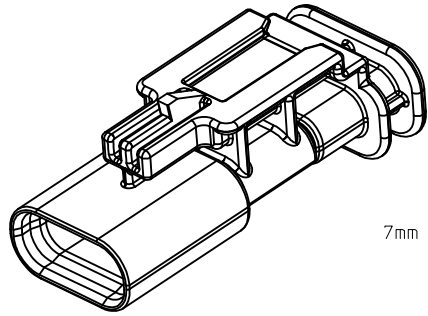
KEYING OPTION C



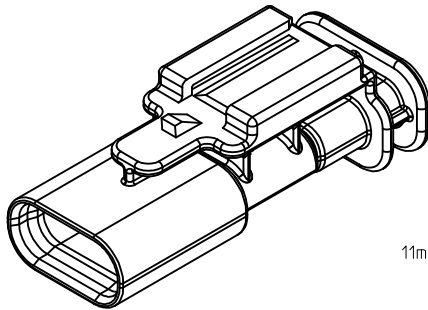
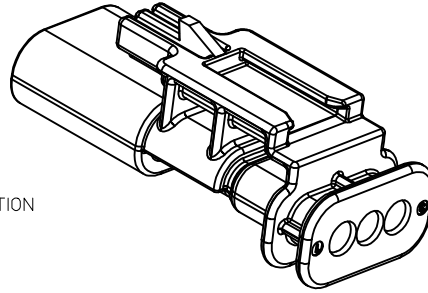
KEYING OPTION D

|   |                 |  |   |       |               |                        |
|---|-----------------|--|---|-------|---------------|------------------------|
| 1x3 VIEWS ADDED<br>IEC NO: UAU2015-1604<br>DRAWN: KRI SHANANI 2015/04/24<br>CHKD: A9<br>APPR: VKOSHY 2015/04/29 | QUALITY SYMBOLS | GENERAL TOLERANCES (UNLESS SPECIFIED)                | DIMENSION STYLE   | SCALE | DESIGN UNITS  | THIRD ANGLE PROJECTION |
|   | ▽=0             | 4 PLACES ± mm ± INCH                                 | MM ONLY   | 5:1   | METRIC        | ☉                      |
|   | ▽=0             | 3 PLACES ± 0.10 ± 0.004                              |   |       |               |                        |
|   | ▽=0             | 2 PLACES ± 0.20 ± 0.008                              |   |       |               |                        |
|   |                 | ANGULAR ± 3°   |   |       |               |                        |
|   |                 | DRAFT WHERE APPLICABLE MUST REMAIN WITHIN DIMENSIONS |   |       |               |                        |
|   |                 |  | MATERIAL NO.  |       | DOCUMENT NO.  | SHEET NO.              |
|   |                 |  | SEE BOM   |       | SD-34899-2001 | 3 OF 8                 |
|   |                 |  | THIS DRAWING CONTAINS INFORMATION THAT IS PROPRIETARY TO MOLEX INCORPORATED AND SHOULD NOT BE USED WITHOUT WRITTEN PERMISSION |       |               |                        |

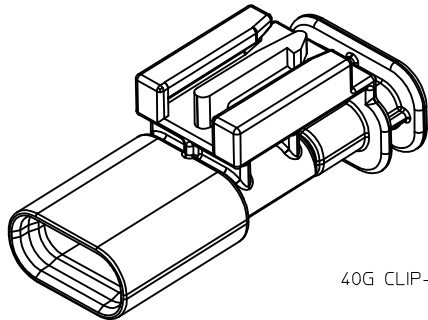
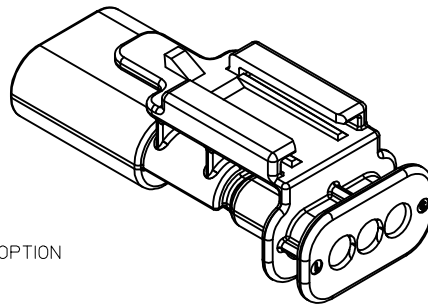
CLIP-SLOT CONFIGURATIONS. FOR PART NUMBERS REFER TO BOM SHEET.



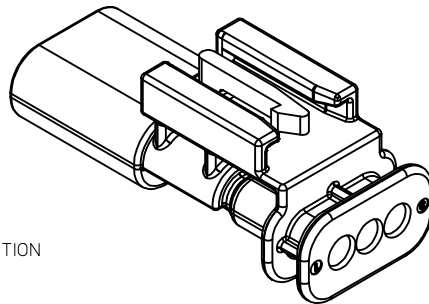
7mm CLIP-SLOT OPTION



11mm CLIP-SLOT OPTION



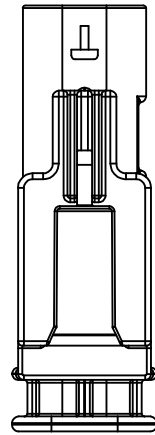
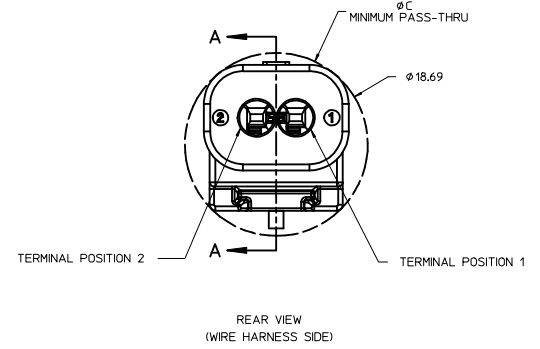
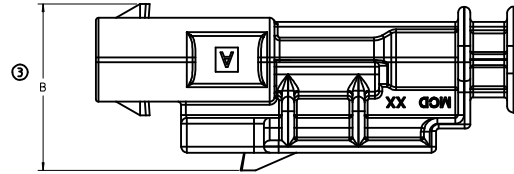
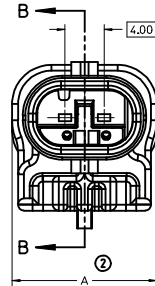
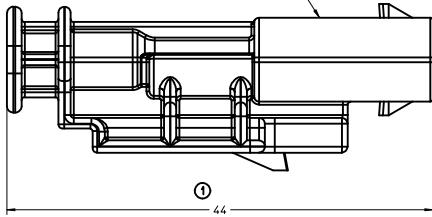
40G CLIP-SLOT OPTION



|   |                 |  |                                     |   |  |                        |
|---|-----------------|--|-------------------------------------|---|--|------------------------|
| <b>ENTER DESCRIPTION</b><br>IEC NO. UAU2015-1604<br>DRAWN/KRISHNANI 2015/01/24<br>CHKD:<br>APPR:VKOSHY 2015/01/29<br>REV: | QUALITY SYMBOLS | GENERAL TOLERANCES (UNLESS SPECIFIED)                | DIMENSION STYLE<br><b>MM ONLY</b>   | SCALE<br><b>4:1</b>   | DESIGN UNITS<br><b>METRIC</b>                                  | THIRD ANGLE PROJECTION |
|   | ▽=0             | 4 PLACES ± mm ± INCH                                 | DRAWN BY<br>SKRAJENDRANA 2013/11/06 | DATE  | TITLE<br><b>12MM 1X2, 1X3 BLADE SEALED ASSEMBLY CABLE SEAL</b> |                        |
|   | ▽=0             | 3 PLACES ± 0.10 ± --- ± ---                          | CHECKED BY                          | DATE  |  |                        |
|   | ▽=0             | 2 PLACES ± 0.20 ± --- ± ---                          | APPROVED BY                         | DATE  |  |                        |
|   |                 | 1 PLACE ± 0.50 ± --- ± ---                           |                                     |   |  |                        |
|   |                 | 0 PLACE ± 3 °  | MATERIAL NO.<br><b>SEE BOM</b>      |   | DOCUMENT NO.<br><b>SD-34899-2001</b>                           | SHEET NO.<br>4 OF 8    |
|   |                 | DRAFT WHERE APPLICABLE MUST REMAIN WITHIN DIMENSIONS | SIZE<br><b>D</b>                    | THIS DRAWING CONTAINS INFORMATION THAT IS PROPRIETARY TO MOLEX INCORPORATED AND SHOULD NOT BE USED WITHOUT WRITTEN PERMISSION |  |                        |

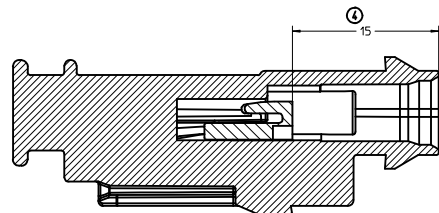
BLADE SEALED ASSEMBLY

LASER MARKING ON THIS SURFACE SEE NOTE 3g

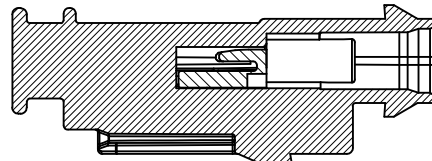


|   |     |     |       |
|---|-----|-----|-------|
| 1x3 BLADE SEALED ASSEMBLY, 40G CLIP SLOT  | TBD | TBD | TBD   |
| 1x3 BLADE SEALED ASSEMBLY, 11mm CLIP SLOT | 19  | 16  | 21    |
| 1x3 BLADE SEALED ASSEMBLY, 7mm CLIP SLOT  | 19  | 17  | 21.5  |
| 1x2 BLADE SEALED ASSEMBLY, 40G CLIP SLOT  | TBD | TBD | TBD   |
| 1x2 BLADE SEALED ASSEMBLY, 11mm CLIP SLOT | TBD | TBD | TBD   |
| 1x2 BLADE SEALED ASSEMBLY, 7mm CLIP SLOT  | 15  | 17  | 19.75 |
| CONFIGURATION                             | A   | B   | C     |

CHARTED DIMENSIONS



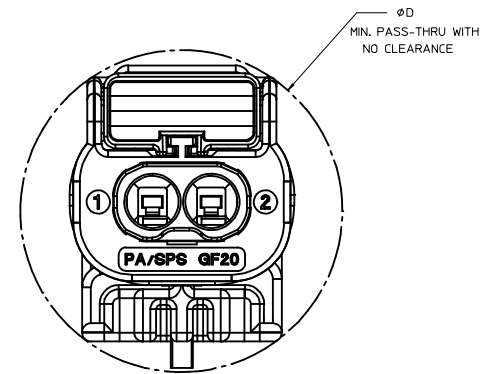
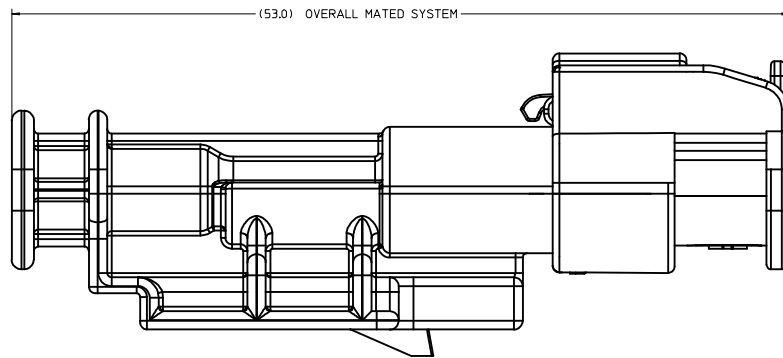
PRIMARY LOCK REINFORCEMENT (PLR) SHOWN IN THE PRE-STAGED POSITION  
SECTION B-B



PRIMARY LOCK REINFORCEMENT (PLR) SHOWN IN THE FINAL-LOCK POSITION  
SECTION A-A

|   |   |   |                 |       |              |   |  |
|---|---|---|-----------------|-------|--------------|---|--|
| 1x3 VIEWS ADDED<br>IEC NO: UAU2015-1604<br>DRAWN BY SHANU1 2015/01/24<br>CHKD:<br>APPR:VKOSHY<br>2015/01/29 | QUALITY SYMBOLS   | GENERAL TOLERANCES (UNLESS SPECIFIED)   | DIMENSION STYLE | SCALE | DESIGN UNITS | THIRD ANGLE PROJECTION  |  |
|   | ∇=0<br>4 PLACES ± --- ± ---<br>∇=0<br>3 PLACES ± --- ± ---<br>∇=0<br>2 PLACES ± 0.10 ± ---<br>1 PLACE ± 0.20 ± ---<br>0 PLACE ± 0.50 ±  | mm    INCH<br>± ---    ± ---<br>± 0.10    ± ---<br>± 0.20    ± ---<br>± 0.50    ± | MM ONLY         | 4:1   | METRIC       | SKRA JENDRANA 2013/11/06<br>DATE<br>DATE<br>APPROVED BY<br>DATE | TITLE<br>12MM 1X2, 1X3 BLADE SEALED ASSEMBLY CABLE SEAL<br>molex<br>DOCUMENT NO.<br>SD-34899-2001<br>SHEET NO.<br>5 OF 8 |
|   | ANGULAR ± 3 °<br>DRAFT WHERE APPLICABLE MUST REMAIN WITHIN DIMENSIONS   | MATERIAL NO.<br>SEE BOM   |                 |       |              |   |  |
|   | SIZE D<br>THIS DRAWING CONTAINS INFORMATION THAT IS PROPRIETARY TO MOLEX INCORPORATED AND SHOULD NOT BE USED WITHOUT WRITTEN PERMISSION |   |                 |       |              |   |  |

CONNECTION SYSTEM PACKAGING



|   |      |
|---|------|
| 1x3 RECEPTACLE MATED TO 1x3 BLADE, 40 CLIP SLOT   | TBD  |
| 1x3 RECEPTACLE MATED TO 1x3 BLADE, 11mm CLIP SLOT | 24.0 |
| 1x3 RECEPTACLE MATED TO 1x3 BLADE, 7mm CLIP SLOT  | 23.0 |
| 1x2 RECEPTACLE MATED TO 1x2 BLADE, 40G CLIP SLOT  | TBD  |
| 1x2 RECEPTACLE MATED TO 1x2 BLADE, 11mm CLIP SLOT | TBD  |
| 1x2 RECEPTACLE MATED TO 1x2 BLADE, 7mm CLIP SLOT  | 23.0 |
| 1.2mm CONNECTION SYSTEM CONFIGURATION             | D    |

CHARTED DIMENSIONS

| <b>ENTER DESCRIPTION</b><br>IEC NO. UAU2015-1604<br>DRAWN/KR SHANU1 2015/01/24<br>CHKD:<br>APPR:VKOSHY 2015/01/29<br>REV: | QUALITY SYMBOLS<br>▽=0<br>▽=0<br>▽=0 | GENERAL TOLERANCES (UNLESS SPECIFIED)<br><table border="1"> <thead> <tr> <th></th> <th>mm</th> <th>INCH</th> </tr> </thead> <tbody> <tr> <td>4 PLACES</td> <td>± ---</td> <td>± ---</td> </tr> <tr> <td>3 PLACES</td> <td>± ---</td> <td>± ---</td> </tr> <tr> <td>2 PLACES</td> <td>± 0.10</td> <td>± ---</td> </tr> <tr> <td>1 PLACE</td> <td>± 0.20</td> <td>± ---</td> </tr> <tr> <td>0 PLACE</td> <td>± 0.50</td> <td>±</td> </tr> </tbody> </table> ANGULAR ± 3 °<br>DRAFT WHERE APPLICABLE MUST REMAIN WITHIN DIMENSIONS |      | mm | INCH | 4 PLACES | ± --- | ± --- | 3 PLACES | ± --- | ± --- | 2 PLACES | ± 0.10 | ± --- | 1 PLACE | ± 0.20 | ± --- | 0 PLACE | ± 0.50 | ± | DIMENSION STYLE<br><b>MM ONLY</b><br>DRAWN BY SKRA JENDRANA 2013/11/06<br>DATE<br>CHECKED BY<br>DATE<br>APPROVED BY<br>DATE | SCALE<br><b>6:1</b><br>DESIGN UNITS<br><b>METRIC</b><br>THIRD ANGLE PROJECTION | TITLE<br><b>12MM 1X2, 1X3 BLADE SEALED ASSEMBLY CABLE SEAL</b><br><b>molex</b> | MATERIAL NO.<br><b>SEE BOM</b><br>DOCUMENT NO.<br><b>SD-34899-2001</b> | SHEET NO.<br><b>6 OF 8</b> |
|---|--------------------------------------|---|------|----|------|----------|-------|-------|----------|-------|-------|----------|--------|-------|---------|--------|-------|---------|--------|---|---|--|--|--|----------------------------|
|   |                                      | mm  | INCH |    |      |          |       |       |          |       |       |          |        |       |         |        |       |         |        |   |   |  |  |  |                            |
| 4 PLACES  | ± ---                                | ± ---   |      |    |      |          |       |       |          |       |       |          |        |       |         |        |       |         |        |   |   |  |  |  |                            |
| 3 PLACES  | ± ---                                | ± ---   |      |    |      |          |       |       |          |       |       |          |        |       |         |        |       |         |        |   |   |  |  |  |                            |
| 2 PLACES  | ± 0.10                               | ± ---   |      |    |      |          |       |       |          |       |       |          |        |       |         |        |       |         |        |   |   |  |  |  |                            |
| 1 PLACE   | ± 0.20                               | ± ---   |      |    |      |          |       |       |          |       |       |          |        |       |         |        |       |         |        |   |   |  |  |  |                            |
| 0 PLACE   | ± 0.50                               | ±   |      |    |      |          |       |       |          |       |       |          |        |       |         |        |       |         |        |   |   |  |  |  |                            |
| SIZE<br><b>D</b>  |                                      | THIS DRAWING CONTAINS INFORMATION THAT IS PROPRIETARY TO MOLEX INCORPORATED AND SHOULD NOT BE USED WITHOUT WRITTEN PERMISSION   |      |    |      |          |       |       |          |       |       |          |        |       |         |        |       |         |        |   |   |  |  |  |                            |

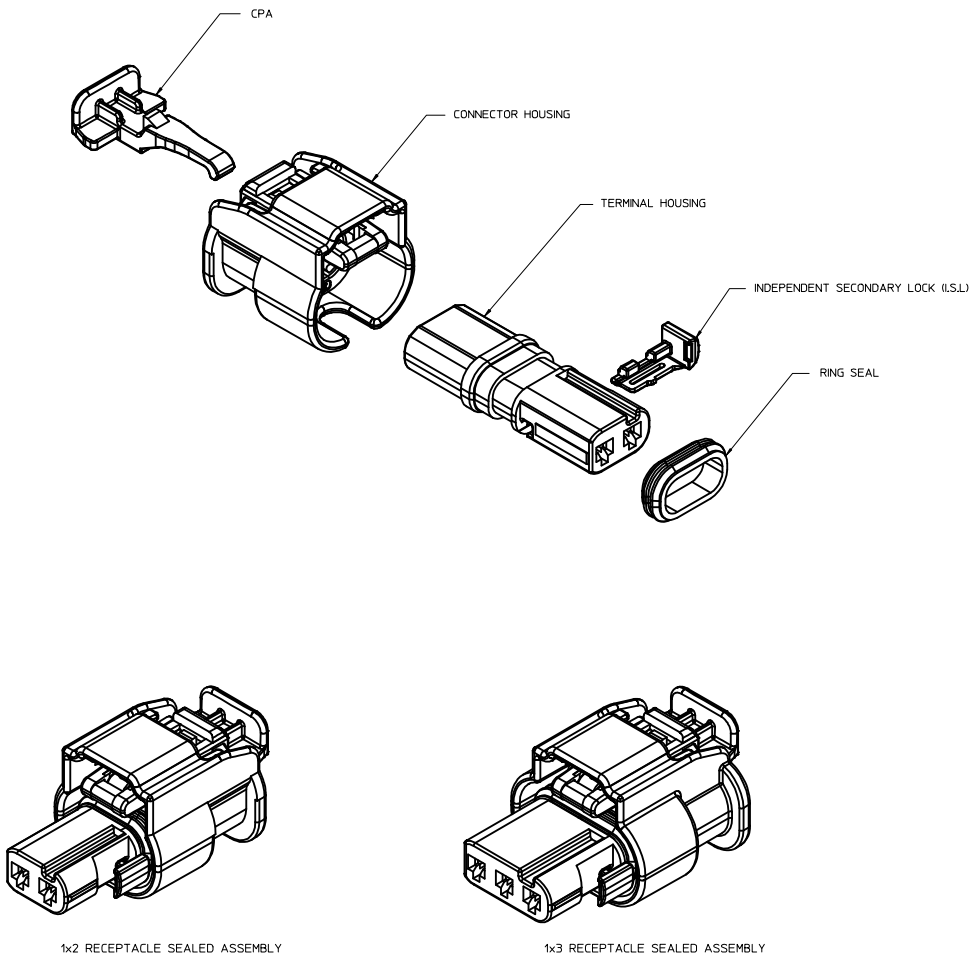






**TABLE OF CONTENTS**

| SHEET NO. | SHEET DESCRIPTION                                    |
|-----------|--|
| 1         | NOTES  |
| 2         | 1x2 RECEPTACLE SEALED ASSEMBLY KEYING CONFIGURATIONS |
| 3         | 1x3 RECEPTACLE SEALED ASSEMBLY KEYING CONFIGURATIONS |
| 4         | RECEPTACLE SEALED ASSEMBLY                           |
| 5         | 1x2 RECEPTACLE SEALED ASSEMBLY BOM SHEET 1           |
| 6         | 1x3 RECEPTACLE SEALED ASSEMBLY BOM SHEET 1           |



**NOTES: VALID UNLESS OTHERWISE SPECIFIED**

**1. GENERAL:**  
**a. APPLICATION SPECIFICATION SEE: AS-34900-0001**  
 CONTAINS: PRODUCT INTRODUCTION, PRODUCT SUMMARY, CONNECTOR ASSEMBLY, PACKAGING INFORMATION, CONNECTOR MATING, SERVICE INSTRUCTIONS, ELECTRICAL CONTINUITY CHECKING, CRIMPING, AND TROUBLESHOOTING.  
**b. PRODUCT SPECIFICATION SEE: PS-34900-0001**  
 CONTAINS: PRODUCT INTRODUCTION, PRODUCT SUMMARY, RATINGS (CURRENT, TEMPERATURE, SEALING, AND FLAMMABILITY), AND PRODUCT VALIDATION.  
**c. PACKAGING SPECIFICATION PER MOLEX DRAWING: PK-31301-898**  
**d. PARTS MUST BE IN COMPLIANCE TO MOLEX CHEMICAL SUBSTANCES FOR PRODUCTS AND PACKAGING SPECIFICATION: ES-40000-5016**  
**e. DATA MUST BE SUBMITTED UNDER THE MOLEX PART NUMBER TO IMDS (COMPANY ID#13255)**  
**f. DESIGNED TO MATE WITH DEVICE CONNECTION AS SPECIFIED IN BOM CHART. USCAR DRAWINGS AND MODELS ARE AVAILABLE AT <http://ewcapuscarteams.org/>.**

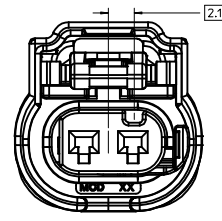
**2. DESIGN - MATERIALS:**  
**a. SEE BOM TABLE**

**3. DESIGN - GEOMETRY:**  
**a. THIS IS A 100% CAD GENERATED PART. THE CAD MATHEMATICAL DATA IS THE MASTER FOR THIS PART. FOR DIMENSIONAL OR ANY INFORMATION NOT SHOWN ON THIS DRAWING, ANALYZE THE CAD MODEL.**  
**b. GEOMETRIC DIMENSIONS AND TOLERANCES PER ASME Y14.5M - 1994**  
**c. EDGES AND UNDIMENSIONED DETAILS PER ISO13715**  
**d. CORNERS SHOWN AS SHARP TO BE R 0.2 MAX.**  
**e. LETTERING SHALL BE 0.15 MAX RAISED IN 0.25 MAX RECESS PAD. THIS INCLUDES RECYCLING CODE, CAVITY ID, VENDOR IDENTIFICATION, AND CUSTOMER MATERIAL NUMBER.**  
**f. VISUAL DEFECTS SHALL MEET COSMETIC STANDARD PS-45499-002 (Class B)**  
**g. LASER MARKING:**  
 1. PART NUMBER  
 2. DAY OF THE YEAR  
 3. SHIFT  
 4. YEAR

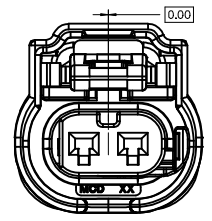
| REV | DESCRIPTION  |
|-----|--|
| A9  | 1X2 AND 1X3 PART # STATUS UPDATED<br>DIMENSION 2 UPDATED |
| A8  | 1X2 PART # UPDATED TO<br>"TOOLED BUT NOT VALIDATED"      |
| A7  | 1X2 PART # UPDATED TO<br>"TOOLED BUT NOT VALIDATED"      |
| A6  | ADDED NEW PART NUMBERS<br>FOR LATCH IMPROVEMENT          |
| A5  | BOM CORRECTIONS AND UPDATES                              |
| A4  | BOM CORRECTIONS AND UPDATES                              |
| A3  | 1x2, 1x3 NON-SIR OK TO TOOL                              |
| A2  | MINOR BOM CORRECTIONS                                    |
| A1  | ADDED COMPONENTS TO BOM                                  |
| A   | ADDED BLACK PART NUMBERS AND MINOR<br>BOM UPDATES        |
| 3   | ADDED 1x3  |
| 2   | MINOR BOM CORRECTIONS                                    |
| 1   | INITIAL RELEASE  |

| <b>ENTER DESCRIPTION</b><br>IEC NO: UAU2015-1604<br>DRAWN/KARI SHINANOI 2015/04/24<br>CHKD:<br>APPR:KIOSHIY<br>DESCRIPTION: 2015/04/29<br>REV: A9 | QUALITY SYMBOLS<br>∇=0<br>∇=0<br>∇=0 | GENERAL TOLERANCES (UNLESS SPECIFIED)<br><table border="1"> <thead> <tr> <th></th> <th>mm</th> <th>INCH</th> </tr> </thead> <tbody> <tr> <td>4 PLACES</td> <td>±.005</td> <td>±.0004</td> </tr> <tr> <td>3 PLACES</td> <td>±.010</td> <td>±.0004</td> </tr> <tr> <td>2 PLACES</td> <td>±.020</td> <td>±.0008</td> </tr> <tr> <td>1 PLACE</td> <td>±.050</td> <td>±.0020</td> </tr> <tr> <td>0 PLACE</td> <td>±.050</td> <td>±.0020</td> </tr> </tbody> </table> ANGULAR ± 3 °<br>DRAFT WHERE APPLICABLE<br>MUST REMAIN WITHIN DIMENSIONS |      | mm | INCH | 4 PLACES | ±.005 | ±.0004 | 3 PLACES | ±.010 | ±.0004 | 2 PLACES | ±.020 | ±.0008 | 1 PLACE | ±.050 | ±.0020 | 0 PLACE | ±.050 | ±.0020 | DIMENSION STYLE<br><b>MM ONLY</b><br>DRAWN BY: MYANSLAMBROU<br>DATE: 2012/02/15<br>CHECKED BY: DATE:<br>APPROVED BY: GGA<br>DATE: 2012/12/13<br>MATERIAL NO:<br><b>SEE TABLE</b> | SCALE: 4:1<br>DESIGN UNITS: METRIC<br>THIRD ANGLE PROJECTION<br>TITLE: 12MM 1X2, 1X3 RECP. SEALED ASSEMBLY CABLE SEAL<br><b>molex</b><br>DOCUMENT NO: SD-34900-0001<br>SHEET NO: 1 OF 6 |
|---|--------------------------------------|--|------|----|------|----------|-------|--------|----------|-------|--------|----------|-------|--------|---------|-------|--------|---------|-------|--------|--|---|
|   |                                      | mm   | INCH |    |      |          |       |        |          |       |        |          |       |        |         |       |        |         |       |        |  |   |
| 4 PLACES  | ±.005                                | ±.0004   |      |    |      |          |       |        |          |       |        |          |       |        |         |       |        |         |       |        |  |   |
| 3 PLACES  | ±.010                                | ±.0004   |      |    |      |          |       |        |          |       |        |          |       |        |         |       |        |         |       |        |  |   |
| 2 PLACES  | ±.020                                | ±.0008   |      |    |      |          |       |        |          |       |        |          |       |        |         |       |        |         |       |        |  |   |
| 1 PLACE   | ±.050                                | ±.0020   |      |    |      |          |       |        |          |       |        |          |       |        |         |       |        |         |       |        |  |   |
| 0 PLACE   | ±.050                                | ±.0020   |      |    |      |          |       |        |          |       |        |          |       |        |         |       |        |         |       |        |  |   |
| THIS DRAWING CONTAINS INFORMATION THAT IS PROPRIETARY TO MOLEX INCORPORATED AND SHOULD NOT BE USED WITHOUT WRITTEN PERMISSION                     |                                      |  |      |    |      |          |       |        |          |       |        |          |       |        |         |       |        |         |       |        |  |   |

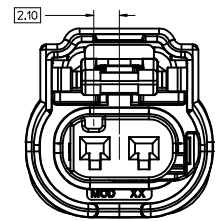
1x2 RECEPTACLE SEALED ASSEMBLY KEYING CONFIGURATIONS. FOR PART NUMBERS REFER TO BOM SHEET.



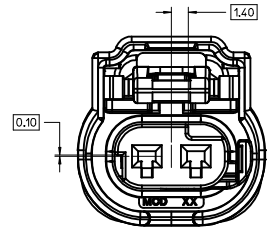
KEYING OPTION A



KEYING OPTION B



KEYING OPTION C

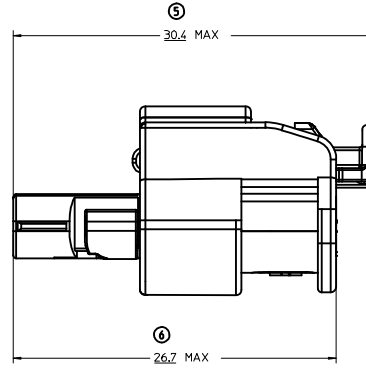
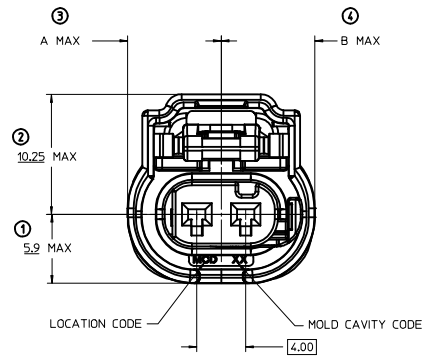
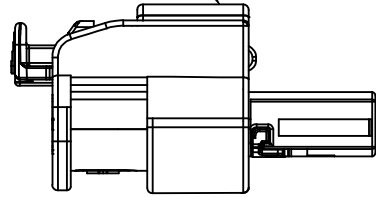


KEYING OPTION E

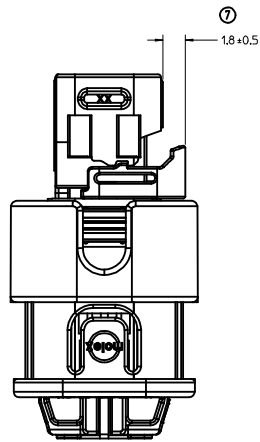
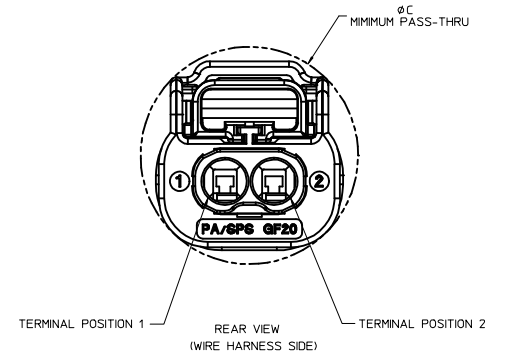
|   |                                      |   |         |  |                     |  |                        |
|---|--------------------------------------|---|---------|--|---------------------|--|------------------------|
| <b>ENTER DESCRIPTION</b><br>IEC NO. UAU2015-1604<br>DRAWN: KRI SHANANI 2015/01/24<br>CHKD:<br>APPR: VKOSHY 2015/01/29 | QUALITY SYMBOLS<br>▽=0<br>▽=0<br>▽=0 | GENERAL TOLERANCES (UNLESS SPECIFIED)   |         | DIMENSION STYLE<br><b>MM ONLY</b>        | SCALE<br><b>5:1</b> | DESIGN UNITS<br><b>METRIC</b>                                    | THIRD ANGLE PROJECTION |
|   |                                      | 4 PLACES ± --- ± ---<br>3 PLACES ± --- ± ---<br>2 PLACES ± 0.10 ± ---<br>1 PLACE ± 0.20 ± ---<br>0 PLACE ± 0.50 ±             | mm INCH | DRAWN BY DATE<br>MYANSLAMBROU 2012/02/15 | CHECKED BY DATE     | TITLE<br><b>12MM 1X2. 1X3 RECP.T. SEALED ASSEMBLY CABLE SEAL</b> |                        |
| DRAFT WHERE APPLICABLE MUST REMAIN WITHIN DIMENSIONS  |                                      | ANGULAR ± 3 °   |         | MATERIAL NO.<br><b>SEE BOM</b>           |                     | DOCUMENT NO.<br><b>SD-34900-2001</b>                             |                        |
| SIZE<br><b>D</b>  |                                      | THIS DRAWING CONTAINS INFORMATION THAT IS PROPRIETARY TO MOLEX INCORPORATED AND SHOULD NOT BE USED WITHOUT WRITTEN PERMISSION |         |  |                     |  |                        |



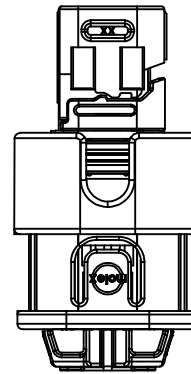
LASER MARKING ON THIS SURFACE SEE NOTE 3g



RECEPTACLE SEALED ASSEMBLY



INDEPENDENT SECONDARY LOCK (ISL)  
SHOWN IN THE PRE-STAGED POSITION



INDEPENDENT SECONDARY LOCK (ISL)  
SHOWN IN THE FINAL-LOCK POSITION

|                                |      |      |       |
|--------------------------------|------|------|-------|
| 1x3 RECEPTACLE SEALED ASSEMBLY | 10.0 | 10.0 | 20.75 |
| 1x2 RECEPTACLE SEALED ASSEMBLY | 8.0  | 8.0  | 18.75 |
| CONFIGURATION                  | A    | B    | C     |
| <b>CHARTED DIMENSIONS</b>      |      |      |       |

|   |  |                                       |   |   |              |                        |
|---|--|---------------------------------------|---|---|--------------|------------------------|
| <b>ENTER DESCRIPTION</b><br>IEC NO: UAU2015-1604<br>DRAWN BY: SHINANOI 2015/04/24<br>CHKD:<br>APPR: IKOSHI 2015/04/29 | QUALITY SYMBOLS                                      | GENERAL TOLERANCES (UNLESS SPECIFIED) | DIMENSION STYLE   | SCALE   | DESIGN UNITS | THIRD ANGLE PROJECTION |
|   | ▽=0  | mm INCH                               | MM ONLY   | 5:1   | METRIC       | ☉                      |
|   | ▽=0  | 4 PLACES ± --- ± ---                  | DRAWN BY DATE   | TITLE   |              |                        |
|   | ▽=0  | 3 PLACES ± --- ± ---                  | MYANSLAMBROU 2012/02/15   | 1.2MM 1X2, 1X3 RECP.T.<br>SEALED ASSEMBLY<br>CABLE SEAL |              |                        |
|   | ANGULAR ± 3 °  | 1 PLACES ± 0.10 ± ---                 | CHECKED BY DATE   | APPROVED BY DATE  |              |                        |
|   | DRAFT WHERE APPLICABLE MUST REMAIN WITHIN DIMENSIONS | 0 PLACE ± 0.20 ± ---                  | GGA 2012/12/13  | MATERIAL NO. DATE                                       |              |                        |
|   |  | 1 PLACE ± 0.50 ± ---                  | SEE BOM   |   |              | DOCUMENT NO.           |
|   |  |                                       | SIZE D  |   |              | SD-34900-2001          |
|   |  |                                       | THIS DRAWING CONTAINS INFORMATION THAT IS PROPRIETARY TO MOLEX INCORPORATED AND SHOULD NOT BE USED WITHOUT WRITTEN PERMISSION |   |              | SHEET NO.              |
|   |  |                                       |   |   |              | 4 OF 6                 |

1X2 RECEPTACLE SEALED ASSEMBLY BOM SHEET 1

|                         |                      |     |     |     |   |   |                          |        |          |   |
|-------------------------|----------------------|-----|-----|-----|---|---|--------------------------|--------|----------|---|
| KEYING OPTION E, BLACK  | 34900-2123           |     |     | CHB |   | E | TOOLED BUT NOT VALIDATED | 1      | 2        | 3                                       |
| KEYING OPTION C, BLACK  | 34900-2122           |     |     | CHB |   | C | TOOLED BUT NOT VALIDATED | 1      | 2        | 3                                       |
| KEYING OPTION B, BLACK  | 34900-2121           |     |     | CHB | B |   | SALEABLE                 | 1      | 2        | 3                                       |
| KEYING OPTION A, BLACK  | 34900-2120           |     |     | CHB | A |   | SALEABLE                 | 1      | 2        | 3                                       |
| KEYING OPTION E, YELLOW | 34900-2104           |     |     | CHY |   | E | TOOLED BUT NOT VALIDATED | 1      | 2        | 3                                       |
| KEYING OPTION C, YELLOW | 34900-2103           |     |     | CHY |   | C | TOOLED BUT NOT VALIDATED | 1      | 2        | 3                                       |
| KEYING OPTION B, YELLOW | 34900-2102           |     |     | CHY | B |   | SALEABLE                 | 1      | 2        | 3                                       |
| KEYING OPTION A, YELLOW | 34900-2101           |     |     | CHY | A |   | SALEABLE                 | 1      | 2        | 3                                       |
| KEYING OPTION E, BLACK  | 34900-2023           |     | CHB |     |   | E | OBSOLETE                 | 1      | 2        | 3                                       |
| KEYING OPTION C, BLACK  | 34900-2022           |     | CHB |     |   | C | OBSOLETE                 | 1      | 2        | 3                                       |
| KEYING OPTION B, BLACK  | 34900-2021           |     | CHB |     | B |   | OBSOLETE                 | 1      | 2        | 3                                       |
| KEYING OPTION A, BLACK  | 34900-2020           |     | CHB |     | A |   | OBSOLETE                 | 1      | 2        | 3                                       |
| KEYING OPTION E, YELLOW | 34900-2004           | CHY |     |     |   | E | OBSOLETE                 | 1      | 2        | 3                                       |
| KEYING OPTION C, YELLOW | 34900-2003           | CHY |     |     |   | C | OBSOLETE                 | 1      | 2        | 3                                       |
| KEYING OPTION B, YELLOW | 34900-2002           | CHY |     |     | B |   | SALEABLE                 | 1      | 2        | 3                                       |
| KEYING OPTION A, YELLOW | 34900-2001           | CHY |     |     | A |   | SALEABLE                 | 1      | 2        | 3                                       |
| ASSEMBLY DESCRIPTION    | ASSEMBLY PART NUMBER |     |     | A   | B | C | E                        | STATUS | COMMENTS | DESIGNED TO MATE WITH DEVICE CONNECTION |

| RING SEAL                        | BURNT RED  | INHERENTLY LUBRICATED SILICONE |               |
|----------------------------------|------------|--------------------------------|---------------|
| ISL                              | NATURAL    | SPS/NYLON GF20                 |               |
| CPA                              | RED        | PBT GF30                       |               |
| TERMINAL HOUSING KEYING OPTION E | STONE GRAY | SPS/NYLON GF20                 |               |
| TERMINAL HOUSING KEYING OPTION C | DARK GRAY  | SPS/NYLON GF20                 |               |
| TERMINAL HOUSING KEYING OPTION B | LT. GRAY   | SPS/NYLON GF20                 |               |
| TERMINAL HOUSING KEYING OPTION A | BLACK      | SPS/NYLON GF20                 |               |
| CONNECTOR HOUSING                | BLACK      | SPS/NYLON GF20                 | UPDATED LATCH |
| CONNECTOR HOUSING                | YELLOW     | SPS/NYLON GF20                 | UPDATED LATCH |
| CONNECTOR HOUSING                | BLACK      | SPS/NYLON GF20                 |               |
| CONNECTOR HOUSING                | YELLOW     | SPS/NYLON GF20                 |               |
| DESCRIPTION                      | COLOR      | MATERIAL                       | COMMENTS      |

BOM/APPLICABLE COMPONENTS TABLE

| ABBREVIATION | COMPONENT  |
|--------------|--|
| CHY          | CONNECTOR HOUSING YELLOW                               |
| CHB          | CONNECTOR HOUSING BLACK                                |
| A            | TERMINAL HOUSING KEY A                                 |
| B            | TERMINAL HOUSING KEY B                                 |
| C            | TERMINAL HOUSING KEY C                                 |
| E            | TERMINAL HOUSING KEY E                                 |
| CPA          | CPA  |
| ISL          | ISL  |
| R            | RING SEAL  |
| 1            | USCAR INTERFACE 120-S-002-1-Z01 SEE NOTE 1 FOR WEBSITE |
| 2            | MOLEX INLINE BLADE CONNECTOR E-34899-2001              |
| 3            | USCAR INTERFACE 120-S-002-1-Z02 SEE NOTE 1 FOR WEBSITE |

|  |   |   |   |                                |  |                            |  |
|--|---|---|---|--------------------------------|--|----------------------------|--|
| <b>ENTER DESCRIPTION</b><br>IEC NO: UAU2015-1604<br>DRAWN BY: SHINANOI 2015/04/24<br>CHKD: CHY<br>APPR: IKOSHY 2015/04/29<br>REV: A9 | <b>QUALITY SYMBOLS</b><br>∇=0<br>∇=0<br>∇=0 | <b>GENERAL TOLERANCES (UNLESS SPECIFIED)</b><br>4 PLACES ± .000 ± .000<br>3 PLACES ± .000 ± .000<br>2 PLACES ± 0.10 ± .000<br>1 PLACE ± 0.20 ± .000<br>0 PLACE ± 0.50 ± .000<br>ANGULAR ± 3 °<br>DRAFT WHERE APPLICABLE MUST REMAIN WITHIN DIMENSIONS | DIMENSION STYLE<br><b>MM ONLY</b>   | SCALE<br><b>2:1</b>            | DESIGN UNITS<br><b>METRIC</b>                                    | THIRD ANGLE PROJECTION     |  |
|  |   |   | DRAWN BY DATE<br>MYANSLAMBROU 2012/02/15  | CHECKED BY DATE                | TITLE<br><b>1.2MM 1X2. 1X3 RECPT. SEALED ASSEMBLY CABLE SEAL</b> |                            |  |
|  |   |   | APPROVED BY DATE<br>GGA 2012/12/13  | MATERIAL NO.<br><b>SEE BOM</b> | DOCUMENT NO.<br><b>SD-34900-2001</b>                             | SHEET NO.<br><b>5 OF 6</b> |  |
|  |   |   | THIS DRAWING CONTAINS INFORMATION THAT IS PROPRIETARY TO MOLEX INCORPORATED AND SHOULD NOT BE USED WITHOUT WRITTEN PERMISSION |                                |  |                            |  |

1X3 RECEPTACLE SEALED ASSEMBLY BOM SHEET 1

|                             |                      |  |  |  |     |  |         |   |                          |          |   |   |   |
|-----------------------------|----------------------|--|--|--|-----|--|---------|---|--------------------------|----------|---|---|---|
| KEYING OPTION D, STONE GRAY | 34900-3123           |  |  |  | CHB |  |         | D | TOOLED BUT NOT VALIDATED |          | 1                                       | 2 | 3 |
| KEYING OPTION C, DARK GRAY  | 34900-3122           |  |  |  | CHB |  |         | C | TOOLED BUT NOT VALIDATED |          | 1                                       | 2 | 3 |
| KEYING OPTION B, LIGHT GRAY | 34900-3121           |  |  |  | CHB |  | B       |   | SALEABLE                 |          | 1                                       | 2 | 3 |
| KEYING OPTION A, BLACK      | 34900-3120           |  |  |  | CHB |  | A       |   | SALEABLE                 |          | 1                                       | 2 | 3 |
| KEYING OPTION D, YELLOW     | 34900-3104           |  |  |  | CHY |  |         | D | TOOLED BUT NOT VALIDATED |          | 1                                       | 2 | 3 |
| KEYING OPTION C, YELLOW     | 34900-3103           |  |  |  | CHY |  |         | C | TOOLED BUT NOT VALIDATED |          | 1                                       | 2 | 3 |
| KEYING OPTION B, YELLOW     | 34900-3102           |  |  |  | CHY |  | B       |   | SALEABLE                 |          | 1                                       | 2 | 3 |
| KEYING OPTION A, YELLOW     | 34900-3101           |  |  |  | CHY |  | A       |   | SALEABLE                 |          | 1                                       | 2 | 3 |
| KEYING OPTION D, STONE GRAY | 34900-3023           |  |  |  | CHB |  |         | D | OBSOLETE                 |          | 1                                       | 2 | 3 |
| KEYING OPTION C, DARK GRAY  | 34900-3022           |  |  |  | CHB |  |         | C | OBSOLETE                 |          | 1                                       | 2 | 3 |
| KEYING OPTION B, LIGHT GRAY | 34900-3021           |  |  |  | CHB |  | B       |   | OBSOLETE                 |          | 1                                       | 2 | 3 |
| KEYING OPTION A, BLACK      | 34900-3020           |  |  |  | CHB |  | A       |   | OBSOLETE                 |          | 1                                       | 2 | 3 |
| KEYING OPTION D, YELLOW     | 34900-3004           |  |  |  | CHY |  |         | D | OBSOLETE                 |          | 1                                       | 2 | 3 |
| KEYING OPTION C, YELLOW     | 34900-3003           |  |  |  | CHY |  |         | C | OBSOLETE                 |          | 1                                       | 2 | 3 |
| KEYING OPTION B, YELLOW     | 34900-3002           |  |  |  | CHY |  | B       |   | OBSOLETE                 |          | 1                                       | 2 | 3 |
| KEYING OPTION A, YELLOW     | 34900-3001           |  |  |  | CHY |  | A       |   | OBSOLETE                 |          | 1                                       | 2 | 3 |
| ASSEMBLY DESCRIPTION        | ASSEMBLY PART NUMBER |  |  |  |     |  | A B C D |   | STATUS                   | COMMENTS | DESIGNED TO MATE WITH DEVICE CONNECTION |   |   |

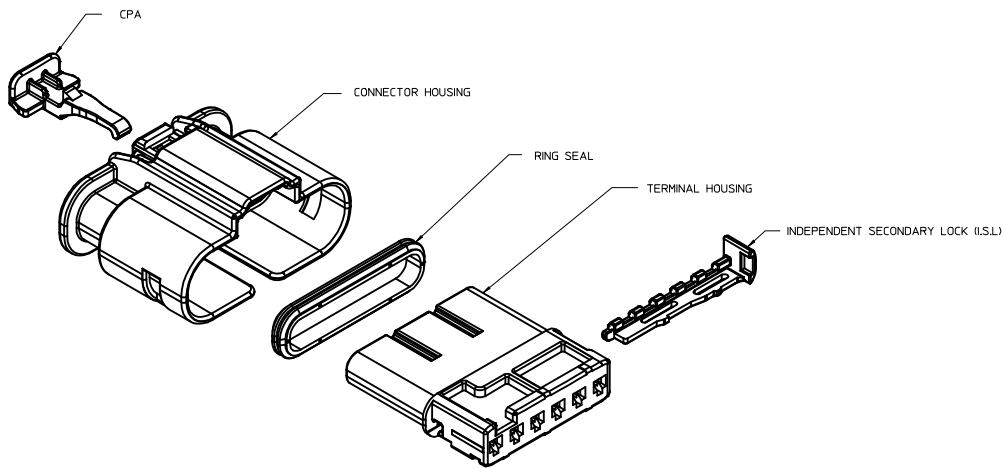
| DESCRIPTION                      | COLOR      | MATERIAL                       | COMMENTS      |
|----------------------------------|------------|--------------------------------|---------------|
| RING SEAL                        | LIGHT BLUE | INHERENTLY LUBRICATED SILICONE |               |
| ISL                              | NATURAL    | SPS/NYLON GF20                 |               |
| CPA                              | RED        | PBT GF30                       |               |
| TERMINAL HOUSING KEYING OPTION D | STONE GRAY | SPS/NYLON GF20                 |               |
| TERMINAL HOUSING KEYING OPTION C | DARK GRAY  | SPS/NYLON GF20                 |               |
| TERMINAL HOUSING KEYING OPTION B | LT. GRAY   | SPS/NYLON GF20                 |               |
| TERMINAL HOUSING KEYING OPTION A | BLACK      | SPS/NYLON GF20                 |               |
| CONNECTOR HOUSING                | BLACK      | SPS/NYLON GF20                 | UPDATED LATCH |
| CONNECTOR HOUSING                | YELLOW     | SPS/NYLON GF20                 | UPDATED LATCH |
| CONNECTOR HOUSING                | BLACK      | SPS/NYLON GF20                 |               |
| CONNECTOR HOUSING                | YELLOW     | SPS/NYLON GF20                 |               |

| ABREVIATION | COMPONENT   |
|-------------|---|
| CHY         | CONNECTOR HOUSING YELLOW                                      |
| CHB         | CONNECTOR HOUSING BLACK                                       |
| A           | TERMINAL HOUSING KEY A  |
| B           | TERMINAL HOUSING KEY B  |
| C           | TERMINAL HOUSING KEY C  |
| D           | TERMINAL HOUSING KEY D  |
| CPA         | CPA   |
| ISL         | ISL   |
| R           | RING SEAL   |
| 1           | USCAR INTERFACE<br>120-S-003-1-Z01<br>SEE NOTE 1f FOR WEBSITE |
| 2           | MOLEX INLINE<br>BLADE CONNECTOR<br>E-34899-2001               |
| 3           | USCAR INTERFACE<br>120-S-003-1-Z02<br>SEE NOTE 1f FOR WEBSITE |

|   |                 |   |                         |                  |   |                        |
|---|-----------------|---|-------------------------|------------------|---|------------------------|
| ENTER DESCRIPTION<br>IEC NO. UAU2015-1604<br>DRAWN BY SHANU1 2015/01/24<br>CHKD:<br>APPR:VKOSH<br>REV | QUALITY SYMBOLS | GENERAL TOLERANCES (UNLESS SPECIFIED)   | DIMENSION STYLE         | SCALE            | DESIGN UNITS                                    | THIRD ANGLE PROJECTION |
|   | ▽=0             | 4 PLACES ± mm   | MM ONLY                 | 5:1              | METRIC  | ☉                      |
|   | ▽=0             | 3 PLACES ± 0.10   |                         |                  |   |                        |
|   | ▽=0             | 2 PLACES ± 0.20   |                         |                  |   |                        |
| DRAFT WHERE APPLICABLE MUST REMAIN WITHIN DIMENSIONS  |                 | APPROVED BY DATE  | DRAWN BY DATE           |                  | TITLE   |                        |
|   |                 | GGA 2012/12/13  | MYANSLAMBROU 2012/02/15 |                  | 12MM 1X2, 1X3 RECPT. SEALED ASSEMBLY CABLE SEAL |                        |
|   |                 | MATERIAL NO.  | SEE BOM                 |                  | DOCUMENT NO. SD-34900-2001                      |                        |
|   |                 | THIS DRAWING CONTAINS INFORMATION THAT IS PROPRIETARY TO MOLEX INCORPORATED AND SHOULD NOT BE USED WITHOUT WRITTEN PERMISSION |                         | SHEET NO. 6 OF 6 |   |                        |

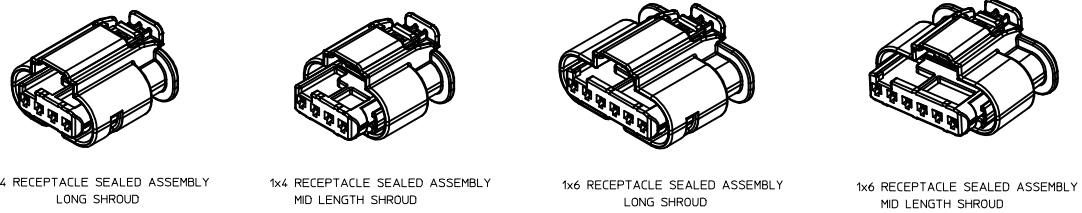
**TABLE OF CONTENTS**

| SHEET NO. | SHEET DESCRIPTION                                    |
|-----------|--|
| 1         | NOTES  |
| 2         | 1x4 RECEPTACLE SEALED ASSEMBLY KEYING CONFIGURATIONS |
| 3         | 1x6 RECEPTACLE SEALED ASSEMBLY KEYING CONFIGURATIONS |
| 4         | RECEPTACLE SEALED ASSEMBLY                           |
| 5         | 1x4 RECEPTACLE SEALED ASSEMBLY BOM SHEET             |
| 6         | 1x6 RECEPTACLE SEALED ASSEMBLY BOM SHEET             |



**NOTES: VALID UNLESS OTHERWISE SPECIFIED**

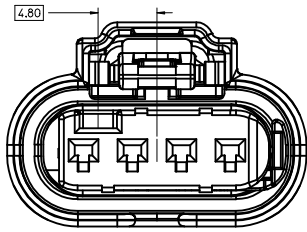
1. GENERAL:
  - a. APPLICATION SPECIFICATION SEE: AS-34900-0001  
CONTAINS: PRODUCT INTRODUCTION, PRODUCT SUMMARY, CONNECTOR ASSEMBLY, PACKAGING INFORMATION, CONNECTOR MATING, SERVICE INSTRUCTIONS, ELECTRICAL CONTINUITY CHECKING, CRIMPING, AND TROUBLESHOOTING.
  - b. PRODUCT SPECIFICATION SEE: PS-34900-0001  
CONTAINS: PRODUCT INTRODUCTION, PRODUCT SUMMARY, APPROVED TERMINALS, SINGLE WIRE SEALS, RATINGS (CURRENT, TEMPERATURE, SEALING, AND FLAMMABILITY), AND PRODUCT VALIDATION.
  - c. PACKAGING SPECIFICATION PER MOLEX DRAWING: PK-31301-898
  - d. PARTS MUST BE IN COMPLIANCE TO MOLEX CHEMICAL SUBSTANCES FOR PRODUCTS AND PACKAGING SPECIFICATION ES-40000-5016
  - e. DATA MUST BE SUBMITTED UNDER THE MOLEX PART NUMBER TO IMDS (COMPANY ID#13235)
  - f. DESIGNED TO MATE WITH DEVICE CONNECTION AS SPECIFIED IN BOM CHART USCAR INTERFACE DRAWINGS AND MODELS ARE AVAILABLE AT <http://ewcap.uscarteams.org/>.
2. DESIGN - MATERIALS:
  - a. SEE BOM TABLE
3. DESIGN - GEOMETRY:
  - a. THIS IS A 100% CAD GENERATED PART. THE CAD MATHEMATICAL DATA IS THE MASTER FOR THIS PART. FOR DIMENSIONAL OR ANY INFORMATION NOT SHOWN ON THIS DRAWING, ANALYZE THE CAD MODEL.
  - b. GEOMETRIC DIMENSIONS AND TOLERANCES PER ASME Y14.5M - 1994
  - c. EDGES AND UNDIMENSIONED DETAILS PER ISO13715
  - d. CORNERS SHOWN AS SHARP TO BE R 0.2 MAX
  - e. LETTERING SHALL BE 0.15 MAX RAISED IN 0.25 MAX RECESS PAD. THIS INCLUDES RECYCLING CODE, CAVITY ID, VENDOR IDENTIFICATION, AND CUSTOMER MATERIAL NUMBER.
  - f. VISUAL DEFECTS SHALL MEET COSMETIC STANDARD PS-45499-002 (Class B) CAD MODEL
- g. LASER MARKING:
  1. PART NUMBER
  2. DAY OF THE YEAR
  3. SHIFT
  4. YEAR



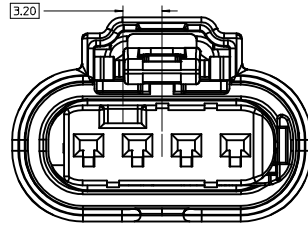
|     |  |
|-----|--|
| A10 | PART #'S WITH NEW LATCH DESIGN SALEABLE            |
| A9  | PART #'S WITH NEW LATCH DESIGN SALEABLE            |
| A8  | ADDED NEW PART NUMBERS FOR LATCH IMPROVEMENT PARTS |
| A7  | UPDATED 34900-6012 AND 34900-6012 TO SALEBLE       |
| A6  | UPDATED SHROUD LENGTH DIMENSION SCHEME             |
| A5  | BOM CORRECTIONS AND UPDATES                        |
| A4  | BOM CORRECTIONS AND UPDATES                        |
| A3  | NON SIR PART# OK TO TOOL                           |
| A2  | BOM UPDATES FOR NON-SIR PART #                     |
| A1  | 1X6 MID LENGTH SHROUD OK TO TOOL                   |
| A   | 1X4 INLINE VIEWS ADDED                             |
| 1   | INITIAL RELEASE                                    |
| REV | DESCRIPTION  |

|   |                      |  |                  |   |                 |                        |   |
|---|----------------------|--|------------------|---|-----------------|------------------------|---|
| <b>ENTER DESCRIPTION</b><br>ELC NO: UAU2015-1081<br>DRAWN BY: SHANM01 2015/01/08<br>CHKD:<br>APPR: WJOSHY<br>2015/01/15<br>REV: | QUALITY SYMBOLS      | GENERAL TOLERANCES (UNLESS SPECIFIED)                | DIMENSION STYLE  | SCALE   | DESIGN UNITS    | THIRD ANGLE PROJECTION |   |
|   | ▽=0                  | 4 PLACES ± --- + ---                                 | MM ONLY          | 3:1   | METRIC          | ☉ □                    |   |
|   | ▽=0                  | 3 PLACES ± --- + ---                                 | mm               | DRAWN BY DATE   |                 |                        | TITLE   |
|   | ▽=0                  | 2 PLACES ± 0.10 + ---                                | INCH             | MYANSLAMBROU 2012/05/03   | CHECKED BY DATE |                        | 12MM 1X4, 1X6 RECPT. SEALED ASSEMBLY CABLE SEAL |
|   | 1 PLACE ± 0.20 + --- |  | APPROVED BY DATE |   |                 | <b>molex</b>           |   |
|   | 0 PLACE ± 0.50 ±     |  | GGA 2012/12/13   |   |                 | SD-34900-6001          |   |
|   |                      | ANGULAR ± 3 °  | MATERIAL NO.     |   | DOCUMENT NO.    | SHEET NO.              |   |
|   |                      | DRAFT WHERE APPLICABLE MUST REMAIN WITHIN DIMENSIONS | SEE TABLE        |   |                 | 1 OF 6                 |   |
|   |                      |  | SIZE D           | THIS DRAWING CONTAINS INFORMATION THAT IS PROPRIETARY TO MOLEX INCORPORATED AND SHOULD NOT BE USED WITHOUT WRITTEN PERMISSION |                 |                        |   |

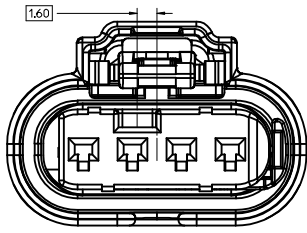
1x4 RECEPTACLE SEALED ASSEMBLY KEYING CONFIGURATIONS. FOR PART NUMBERS REFER TO BOM SHEET.



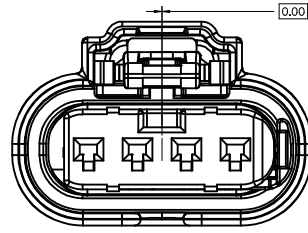
KEYING OPTION A



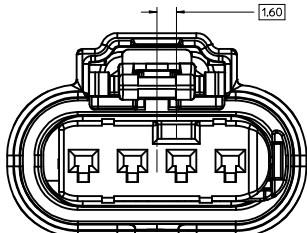
KEYING OPTION E



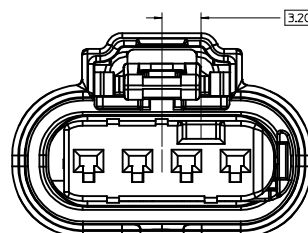
KEYING OPTION B



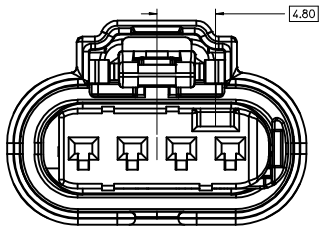
KEYING OPTION F



KEYING OPTION C



KEYING OPTION G

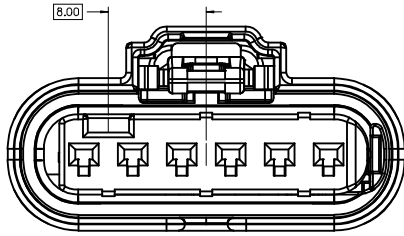


KEYING OPTION D

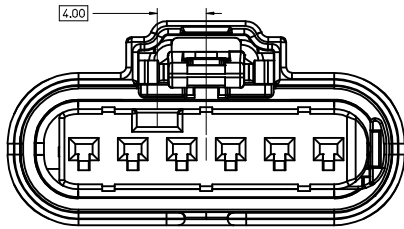
|   |  |   |                 |              |              |   |   |
|---|--|---|-----------------|--------------|--------------|---|---|
| <b>ENTER DESCRIPTION</b><br>ELEC NO: UAU2015-1081<br>DRAWN BY: SHANMUGI<br>CHKD: APPR: VIOSHY<br>DATE: 2015/01/15<br>REV: A10 | QUALITY SYMBOLS                                      | GENERAL TOLERANCES (UNLESS SPECIFIED)   | DIMENSION STYLE | SCALE        | DESIGN UNITS | THIRD ANGLE PROJECTION  |   |
|   | $\nabla=0$<br>$\nabla=0$<br>$\nabla=0$               | mm INCH<br>4 PLACES ± --- ± ---<br>3 PLACES ± --- ± ---<br>2 PLACES ± 0.10 ± ---<br>1 PLACE ± 0.20 ± ---<br>0 PLACE ± 0.50 ±  | MM ONLY         | 5:1          | METRIC       | DRAWN BY: MYANSLAMBROU<br>DATE: 2012/05/03<br>CHECKED BY: DATE:<br>APPROVED BY: GGA<br>DATE: 2012/12/13 | TITLE: 12MM 1X4, 1X6 RECPT. SEALED ASSEMBLY CABLE SEAL<br>molex<br>DOCUMENT NO: SD-34900-6001 |
|   | DRAFT WHERE APPLICABLE MUST REMAIN WITHIN DIMENSIONS | ANGULAR ± 3 °   | SEE BOM         | MATERIAL NO. | SHEET NO.    |   |   |
|   | SIZE D   | THIS DRAWING CONTAINS INFORMATION THAT IS PROPRIETARY TO MOLEX INCORPORATED AND SHOULD NOT BE USED WITHOUT WRITTEN PERMISSION |                 |              |              |   |   |



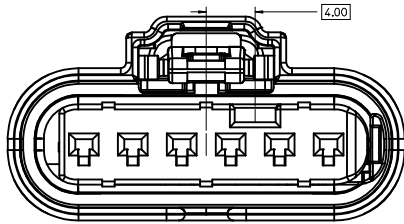
1x6 RECEPTACLE SEALED ASSEMBLY KEYING CONFIGURATIONS. FOR PART NUMBERS REFER TO BOM SHEET.



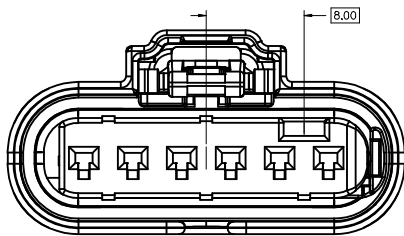
KEYING OPTION A



KEYING OPTION B



KEYING OPTION C



KEYING OPTION D

|  |                   |   |  |  |                                    |   |
|--|-------------------|---|--|--|------------------------------------|---|
| SEE SHEET 1<br>ELEC NO. UAU2015-1081<br>DRAWN BY SHANU1 2015/01/08<br>CHKD:<br>APPR: VKOSHY<br>2015/01/15<br>A10 | QUALITY SYMBOLS   | GENERAL TOLERANCES (UNLESS SPECIFIED)   | DIMENSION STYLE<br>MM ONLY   | SCALE<br>5:1   | DESIGN UNITS<br>METRIC             | THIRD ANGLE PROJECTION  |
|  | ▽=0<br>▽=0<br>▽=0 | 4 PLACES ± --- ± ---<br>3 PLACES ± --- ± ---<br>2 PLACES ± 0.10 ± ---<br>1 PLACE ± 0.20 ± ---<br>0 PLACE ± 0.50 ± --- | mm    INCH<br>ANGULAR ± 3 °<br>DRAFT WHERE APPLICABLE<br>MUST REMAIN WITHIN DIMENSIONS | DRAWN BY DATE<br>MYANSLAMBROU 2012/05/03<br>CHECKED BY DATE  | APPROVED BY DATE<br>GGA 2012/12/13 | TITLE<br>12MM 1X4, 1X6 RECP.<br>SEALED ASSEMBLY<br>CABLE SEAL<br><b>molex</b> |
|  |                   |   | SIZE<br>D  | THIS DRAWING CONTAINS INFORMATION THAT IS PROPRIETARY TO MOLEX<br>INCORPORATED AND SHOULD NOT BE USED WITHOUT WRITTEN PERMISSION |                                    |   |



1x4 RECEPTACLE SEALED ASSEMBLY BOM SHEET 1

| KEY OPTION           | CONNECTOR HOUSING COLOR | TERMINAL HOUSING COLOR | OUTER HOUSING SHROUD LENGTH | ASSEMBLY PART NUMBER | CHMB | A | B | C | D | E | F | G | PRODUCTION TOOL STATUS   | COMMENTS |
|----------------------|-------------------------|------------------------|-----------------------------|----------------------|------|---|---|---|---|---|---|---|--------------------------|----------|
| KEY OPTION G         | BLACK                   | LIGHT GRAY             | MID LENGTH                  | 34900-4136           |      |   |   |   |   |   |   |   | CONCEPT                  | 1 2      |
| KEY OPTION F         | BLACK                   | BLACK                  | MID LENGTH                  | 34900-4135           |      |   |   |   |   |   |   |   | CONCEPT                  | 1 2      |
| KEY OPTION E         | BLACK                   | DARK GRAY              | MID LENGTH                  | 34900-4134           |      |   |   |   |   |   |   |   | CONCEPT                  | 1 2      |
| KEY OPTION D         | BLACK                   | LIGHT GRAY             | MID LENGTH                  | 34900-4133           |      |   |   |   |   |   |   |   | CONCEPT                  | 1 2      |
| KEY OPTION C         | BLACK                   | DARK GRAY              | MID LENGTH                  | 34900-4132           |      |   |   |   |   |   |   |   | CONCEPT                  | 1 2      |
| KEY OPTION B         | BLACK                   | STONE GRAY             | MID LENGTH                  | 34900-4131           |      |   |   |   |   |   |   |   | CONCEPT                  | 1 2      |
| KEY OPTION A         | BLACK                   | BLACK                  | MID LENGTH                  | 34900-4130           |      |   |   |   |   |   |   |   | CONCEPT                  | 1 2      |
| KEY OPTION G         | BLACK                   | LIGHT GRAY             | LONG                        | 34900-4126           |      |   |   |   |   |   |   |   | TOOLED BUT NOT VALIDATED | 1 2      |
| KEY OPTION F         | BLACK                   | BLACK                  | LONG                        | 34900-4125           |      |   |   |   |   |   |   |   | TOOLED BUT NOT VALIDATED | 1 2      |
| KEY OPTION E         | BLACK                   | DARK GRAY              | LONG                        | 34900-4124           |      |   |   |   |   |   |   |   | TOOLED BUT NOT VALIDATED | 1 2      |
| KEY OPTION D         | BLACK                   | LIGHT GRAY             | LONG                        | 34900-4123           |      |   |   |   |   |   |   |   | TOOLED BUT NOT VALIDATED | 1 2      |
| KEY OPTION C         | BLACK                   | DARK GRAY              | LONG                        | 34900-4122           |      |   |   |   |   |   |   |   | TOOLED BUT NOT VALIDATED | 1 2      |
| KEY OPTION B         | BLACK                   | STONE GRAY             | LONG                        | 34900-4121           |      |   |   |   |   |   |   |   | TOOLED BUT NOT VALIDATED | 1 2      |
| KEY OPTION A         | BLACK                   | BLACK                  | LONG                        | 34900-4120           |      |   |   |   |   |   |   |   | TOOLED BUT NOT VALIDATED | 1 2      |
| KEY OPTION G         | YELLOW                  | LIGHT GRAY             | LONG                        | 34900-4116           |      |   |   |   |   |   |   |   | SALEABLE                 | 1 2      |
| KEY OPTION F         | YELLOW                  | BLACK                  | LONG                        | 34900-4115           |      |   |   |   |   |   |   |   | SALEABLE                 | 1 2      |
| KEY OPTION E         | YELLOW                  | DARK GRAY              | LONG                        | 34900-4114           |      |   |   |   |   |   |   |   | TOOLED BUT NOT VALIDATED | 1 2      |
| KEY OPTION D         | YELLOW                  | LIGHT GRAY             | LONG                        | 34900-4113           |      |   |   |   |   |   |   |   | TOOLED BUT NOT VALIDATED | 1 2      |
| KEY OPTION C         | YELLOW                  | DARK GRAY              | LONG                        | 34900-4112           |      |   |   |   |   |   |   |   | TOOLED BUT NOT VALIDATED | 1 2      |
| KEY OPTION B         | YELLOW                  | STONE GRAY             | LONG                        | 34900-4111           |      |   |   |   |   |   |   |   | TOOLED BUT NOT VALIDATED | 1 2      |
| KEY OPTION A         | YELLOW                  | BLACK                  | LONG                        | 34900-4110           |      |   |   |   |   |   |   |   | TOOLED BUT NOT VALIDATED | 1 2      |
| KEY OPTION G         | BLACK                   | LIGHT GRAY             | LONG                        | 34900-4026           |      |   |   |   |   |   |   |   | OBSOLETE                 | 1 2      |
| KEY OPTION F         | BLACK                   | BLACK                  | LONG                        | 34900-4025           |      |   |   |   |   |   |   |   | OBSOLETE                 | 1 2      |
| KEY OPTION E         | BLACK                   | DARK GRAY              | LONG                        | 34900-4024           |      |   |   |   |   |   |   |   | OBSOLETE                 | 1 2      |
| KEY OPTION D         | BLACK                   | LIGHT GRAY             | LONG                        | 34900-4023           |      |   |   |   |   |   |   |   | OBSOLETE                 | 1 2      |
| KEY OPTION C         | BLACK                   | DARK GRAY              | LONG                        | 34900-4022           |      |   |   |   |   |   |   |   | OBSOLETE                 | 1 2      |
| KEY OPTION B         | BLACK                   | STONE GRAY             | LONG                        | 34900-4021           |      |   |   |   |   |   |   |   | OBSOLETE                 | 1 2      |
| KEY OPTION A         | BLACK                   | BLACK                  | LONG                        | 34900-4020           |      |   |   |   |   |   |   |   | OBSOLETE                 | 1 2      |
| KEY OPTION G         | YELLOW                  | LIGHT GRAY             | LONG                        | 34900-4016           |      |   |   |   |   |   |   |   | OBSOLETE                 | 1 2      |
| KEY OPTION F         | YELLOW                  | BLACK                  | LONG                        | 34900-4015           |      |   |   |   |   |   |   |   | OBSOLETE                 | 1 2      |
| KEY OPTION E         | YELLOW                  | DARK GRAY              | LONG                        | 34900-4014           |      |   |   |   |   |   |   |   | OBSOLETE                 | 1 2      |
| KEY OPTION D         | YELLOW                  | LIGHT GRAY             | LONG                        | 34900-4013           |      |   |   |   |   |   |   |   | OBSOLETE                 | 1 2      |
| KEY OPTION C         | YELLOW                  | DARK GRAY              | LONG                        | 34900-4012           |      |   |   |   |   |   |   |   | OBSOLETE                 | 1 2      |
| KEY OPTION B         | YELLOW                  | STONE GRAY             | LONG                        | 34900-4011           |      |   |   |   |   |   |   |   | OBSOLETE                 | 1 2      |
| KEY OPTION A         | YELLOW                  | BLACK                  | LONG                        | 34900-4010           |      |   |   |   |   |   |   |   | OBSOLETE                 | 1 2      |
| ASSEMBLY DESCRIPTION | CONNECTOR HOUSING COLOR | TERMINAL HOUSING COLOR | OUTER HOUSING SHROUD LENGTH | ASSEMBLY PART NUMBER |      |   |   |   |   |   |   |   | PRODUCTION TOOL STATUS   | COMMENTS |

| ABREVIATION | COMPONENT   |
|-------------|---|
| CHY         | CONNECTOR HOUSING YELLOW                                |
| CHB         | CONNECTOR HOUSING BLACK                                 |
| CHBM        | CONNECTOR HOUSING BLACK MID SHROUD                      |
| A           | TERMINAL HOUSING KEY A                                  |
| B           | TERMINAL HOUSING KEY B                                  |
| C           | TERMINAL HOUSING KEY C                                  |
| D           | TERMINAL HOUSING KEY D                                  |
| E           | TERMINAL HOUSING KEY E                                  |
| F           | TERMINAL HOUSING KEY F                                  |
| G           | TERMINAL HOUSING KEY G                                  |
| CPA         | CPA   |
| ISL         | ISL   |
| RING SEAL   | RING SEAL   |
| 1           | USCAR INTERFACE 120-S-004-1-202 SEE NOTE 1f FOR WEBSITE |
| 2           | MOLEX INLINE BLADE CONNECTOR SD-34899-6001              |

| DESCRIPTION                      | COLOR      | MATERIAL                       | COMMENTS      |
|----------------------------------|------------|--------------------------------|---------------|
| RING SEAL                        | LIGHT BLUE | INHERENTLY LUBRICATED SILICONE |               |
| ISL                              | NATURAL    | SPS/NYLON GF20                 |               |
| CPA                              | RED        | PBT GF30                       |               |
| TERMINAL HOUSING KEYING OPTION G | LIGHT GRAY | SPS/NYLON GF20                 |               |
| TERMINAL HOUSING KEYING OPTION F | BLACK      | SPS/NYLON GF20                 |               |
| TERMINAL HOUSING KEYING OPTION E | DARK GRAY  | SPS/NYLON GF20                 |               |
| TERMINAL HOUSING KEYING OPTION D | LIGHT GRAY | SPS/NYLON GF20                 |               |
| TERMINAL HOUSING KEYING OPTION C | DARK GRAY  | SPS/NYLON GF20                 |               |
| TERMINAL HOUSING KEYING OPTION B | STONE GRAY | SPS/NYLON GF20                 |               |
| TERMINAL HOUSING KEYING OPTION A | BLACK      | SPS/NYLON GF20                 |               |
| MID LENGTH CONNECTOR HOUSING     | BLACK      | SPS/NYLON GF20                 |               |
| CONNECTOR HOUSING                | BLACK      | SPS/NYLON GF20                 | UPDATED LATCH |
| CONNECTOR HOUSING                | YELLOW     | SPS/NYLON GF20                 | UPDATED LATCH |
| CONNECTOR HOUSING                | BLACK      | SPS/NYLON GF20                 |               |
| CONNECTOR HOUSING                | YELLOW     | SPS/NYLON GF20                 |               |

|  |   |   |   |  |   |
|--|---|---|---|--|---|
| <b>ENTER DESCRIPTION</b><br>ELEC NO: UAU2015-1081<br>DRAWN BY: SHANAN 2015/01/08<br>CHKC:<br>APPR: IKOSHY 2015/01/15<br>REV: | QUALITY SYMBOLS<br>∇=0<br>∇=0<br>∇=0  | GENERAL TOLERANCES (UNLESS SPECIFIED)<br>mm    INCH<br>4 PLACES ± --- ± ---<br>3 PLACES ± --- ± ---<br>2 PLACES ± 0.10 ± ---<br>1 PLACE ± 0.20 ± ---<br>0 PLACE ± 0.50 ± ---<br>ANGULAR ± 3 °<br>DRAFT WHERE APPLICABLE MUST REMAIN WITHIN DIMENSIONS | DIMENSION STYLE<br>MM ONLY<br>DRAWN BY: DATE<br>MYANSLAMBROU 2012/05/03<br>CHECKED BY: DATE | SCALE<br>5:1<br>DESIGN UNITS<br>METRIC<br>THIRD ANGLE PROJECTION | TITLE<br>12MM 1X4, 1X6 RECP. SEALED ASSEMBLY CABLE SEAL<br>molex<br>MATERIAL NO.<br>SEE BOM<br>DOCUMENT NO.<br>SD-34900-6001<br>SHEET NO.<br>5 OF 6 |
|  | THIS DRAWING CONTAINS INFORMATION THAT IS PROPRIETARY TO MOLEX INCORPORATED AND SHOULD NOT BE USED WITHOUT WRITTEN PERMISSION |   |   |  |   |

1x6 RECEPTACLE SEALED ASSEMBLY BOM SHEET 1

| KEY OPTION           | CONNECTOR HOUSING COLOR | TERMINAL CAVITY COLOR | OUTER HOUSING SHROUD LENGTH | ASSEMBLY PART NUMBER | CHLB | CHLY | A | B | C | D | PRODUCTION TOOL STATUS   | COMMENTS | DESIGNED TO MATE WITH DEVICE CONNECTION |
|----------------------|-------------------------|-----------------------|-----------------------------|----------------------|------|------|---|---|---|---|--------------------------|----------|---|
| KEY OPTION D         | BLACK                   | STONE GRAY            | MID LENGTH                  | 34900-6190           |      |      |   |   |   |   | SALEABLE                 |          | 3                                       |
| KEY OPTION C         | BLACK                   | DARK GRAY             | MID LENGTH                  | 34900-6121           |      |      |   |   |   |   | SALEABLE                 |          | 3                                       |
| KEY OPTION B         | BLACK                   | LIGHT GRAY            | MID LENGTH                  | 34900-6128           |      |      |   |   |   |   | SALEABLE                 |          | 3                                       |
| KEY OPTION A         | BLACK                   | BLACK                 | MID LENGTH                  | 34900-6119           |      |      |   |   |   |   | SALEABLE                 |          | 3                                       |
| KEY OPTION D         | BLACK                   | STONE GARY            | LONG                        | 34900-6143           | CHLB |      |   |   |   |   | TOOLED BUT NOT VALIDATED | 1 2      |   |
| KEY OPTION C         | BLACK                   | DARK GRAY             | LONG                        | 34900-6142           | CHLB |      |   |   |   |   | TOOLED BUT NOT VALIDATED | 1 2      |   |
| KEY OPTION B         | BLACK                   | LIGHT GRAY            | LONG                        | 34900-6141           | CHLB |      |   |   |   |   | TOOLED BUT NOT VALIDATED | 1 2      |   |
| KEY OPTION A         | BLACK                   | BLACK                 | LONG                        | 34900-6140           | CHLB | A    |   |   |   |   | TOOLED BUT NOT VALIDATED | 1 2      |   |
| KEY OPTION D         | YELLOW                  | STONE GRAY            | LONG                        | 34900-6113           | CHLY |      |   |   |   |   | SALEABLE                 | 1 2      |   |
| KEY OPTION C         | YELLOW                  | DARK GRAY             | LONG                        | 34900-6112           | CHLY |      |   |   |   |   | SALEABLE                 | 1 2      |   |
| KEY OPTION B         | YELLOW                  | LIGHT GRAY            | LONG                        | 34900-6111           | CHLY |      |   |   |   |   | SALEABLE                 | 1 2      |   |
| KEY OPTION A         | YELLOW                  | BLACK                 | LONG                        | 34900-6110           | CHLY | A    |   |   |   |   | SALEABLE                 | 1 2      |   |
| KEY OPTION D         | BLACK                   | STONE GRAY            | MID LENGTH                  | 34900-6030           | CHMB |      |   |   |   |   | OBSOLETE                 |          | 3                                       |
| KEY OPTION C         | BLACK                   | DARK GRAY             | MID LENGTH                  | 34900-6021           | CHMB |      |   |   |   |   | OBSOLETE                 |          | 3                                       |
| KEY OPTION B         | BLACK                   | LIGHT GRAY            | MID LENGTH                  | 34900-6028           | CHMB |      |   |   |   |   | OBSOLETE                 |          | 3                                       |
| KEY OPTION A         | BLACK                   | BLACK                 | MID LENGTH                  | 34900-6019           | CHMB | A    |   |   |   |   | OBSOLETE                 |          | 3                                       |
| KEY OPTION D         | BLACK                   | STONE GARY            | LONG                        | 34900-6043           | CHLB |      |   |   |   |   | OBSOLETE                 | 1 2      |   |
| KEY OPTION C         | BLACK                   | DARK GRAY             | LONG                        | 34900-6042           | CHLB |      |   |   |   |   | OBSOLETE                 | 1 2      |   |
| KEY OPTION B         | BLACK                   | LIGHT GRAY            | LONG                        | 34900-6041           | CHLB |      |   |   |   |   | OBSOLETE                 | 1 2      |   |
| KEY OPTION A         | BLACK                   | BLACK                 | LONG                        | 34900-6040           | CHLB | A    |   |   |   |   | OBSOLETE                 | 1 2      |   |
| KEY OPTION D         | YELLOW                  | STONE GRAY            | LONG                        | 34900-6013           | CHLY |      |   |   |   |   | OBSOLETE                 | 1 2      |   |
| KEY OPTION C         | YELLOW                  | DARK GRAY             | LONG                        | 34900-6012           | CHLY |      |   |   |   |   | OBSOLETE                 | 1 2      |   |
| KEY OPTION B         | YELLOW                  | LIGHT GRAY            | LONG                        | 34900-6011           | CHLY |      |   |   |   |   | OBSOLETE                 | 1 2      |   |
| KEY OPTION A         | YELLOW                  | BLACK                 | LONG                        | 34900-6010           | CHLY | A    |   |   |   |   | OBSOLETE                 | 1 2      |   |
| ASSEMBLY DESCRIPTION | CONNECTOR HOUSING COLOR | TERMINAL CAVITY COLOR | OUTER HOUSING SHROUD LENGTH | ASSEMBLY PART NUMBER |      |      | A | B | C | D | PRODUCTION TOOL STATUS   | COMMENTS | DESIGNED TO MATE WITH DEVICE CONNECTION |

| LEGEND TABLE |   |
|--------------|---|
| ABBREVIATION | COMPONENT   |
| CHLY         | CONNECTOR HOUSING LONG YELLOW                           |
| CHLB         | CONNECTOR HOUSING LONG BLACK                            |
| CHMB         | CONNECTOR HOUSING MEDIUM BLACK                          |
| A            | TERMINAL HOUSING KEY A                                  |
| B            | TERMINAL HOUSING KEY B                                  |
| C            | TERMINAL HOUSING KEY C                                  |
| D            | TERMINAL HOUSING KEY D                                  |
| CPA          | CPA   |
| ISL          | ISL   |
| RING SEAL    | RING SEAL   |
| 1            | USCAR INTERFACE 120-S-006-1-Z02 SEE NOTE 1f FOR WEBSITE |
| 2            | MOLEX INLINE BLADE CONNECTOR SD-34899-6001              |
| 3            | USCAR INTERFACE 120-S-006-1-Z04 SEE NOTE 1f FOR WEBSITE |

| RING SEAL                        | BURNT RED  | INHERENTLY LUBRICATED SILICONE |               |
|----------------------------------|------------|--------------------------------|---------------|
| ISL                              | NATURAL    | SPS/NYLON GF20                 |               |
| CPA                              | RED        | PBT GF30                       |               |
| TERMINAL HOUSING KEYING OPTION D | STONE GRAY | SPS/NYLON GF20                 |               |
| TERMINAL HOUSING KEYING OPTION C | DARK GRAY  | SPS/NYLON GF20                 |               |
| TERMINAL HOUSING KEYING OPTION B | LIGHT GRAY | SPS/NYLON GF20                 |               |
| TERMINAL HOUSING KEYING OPTION A | BLACK      | SPS/NYLON GF20                 |               |
| CONNECTOR HOUSING MID LENGTH     | BLACK      | SPS/NYLON GF20                 | UPDATED LATCH |
| CONNECTOR HOUSING LONG           | BLACK      | SPS/NYLON GF20                 | UPDATED LATCH |
| CONNECTOR HOUSING LONG           | YELLOW     | SPS/NYLON GF20                 | UPDATED LATCH |
| CONNECTOR HOUSING MID LENGTH     | BLACK      | SPS/NYLON GF20                 |               |
| CONNECTOR HOUSING LONG           | BLACK      | SPS/NYLON GF20                 |               |
| CONNECTOR HOUSING LONG           | YELLOW     | SPS/NYLON GF20                 |               |

| DESCRIPTION                     | COLOR | MATERIAL | COMMENTS |
|---------------------------------|-------|----------|----------|
| BOM/APPLICABLE COMPONENTS TABLE |       |          |          |

|   |                                      |  |  |   |                 |   |                        |  |
|---|--------------------------------------|--|--|---|-----------------|---|------------------------|--|
| <b>ENTER DESCRIPTION</b><br>ELEC NO: UAU2015-1081<br>DRAWN/KARI SHINANI 2015/01/08<br>CHKD:<br>APPR: IKOSHY<br>2015/01/15<br>REV: A10 | QUALITY SYMBOLS<br>∇=0<br>∇=0<br>∇=0 | GENERAL TOLERANCES (UNLESS SPECIFIED)<br>mm INCH<br>4 PLACES ±--- ±---<br>3 PLACES ±--- ±---<br>2 PLACES ±0.10 ±---<br>1 PLACE ±0.20 ±---<br>0 PLACE ±0.50 ± |  | DIMENSION STYLE<br>MM ONLY  | SCALE<br>2:1    | DESIGN UNITS<br>METRIC                                  | THIRD ANGLE PROJECTION |  |
|   |                                      | DRAFT WHERE APPLICABLE MUST REMAIN WITHIN DIMENSIONS   |  | DRAWN BY DATE<br>MYANSLAMBROU 2012/05/03  | CHECKED BY DATE | TITLE<br>12MM 1X4, 1X6 RECP. SEALED ASSEMBLY CABLE SEAL |                        |  |
|   |                                      | APPROVED BY DATE<br>GGA 2012/12/13   |  | MATERIAL NO.<br>SEE TABLE   |                 | DOCUMENT NO.<br>SD-34900-6001                           |                        |  |
|   |                                      | SIZE D   |  | THIS DRAWING CONTAINS INFORMATION THAT IS PROPRIETARY TO MOLEX INCORPORATED AND SHOULD NOT BE USED WITHOUT WRITTEN PERMISSION |                 | SHEET NO.<br>6 OF 6                                     |                        |  |