

10 9 8 7 6 5 4 3 2 1

F

E

D

C

B

A

F

E

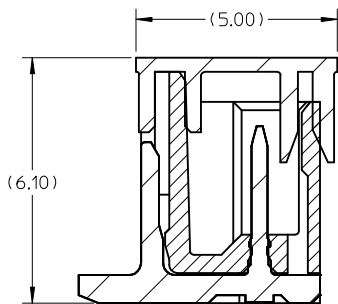
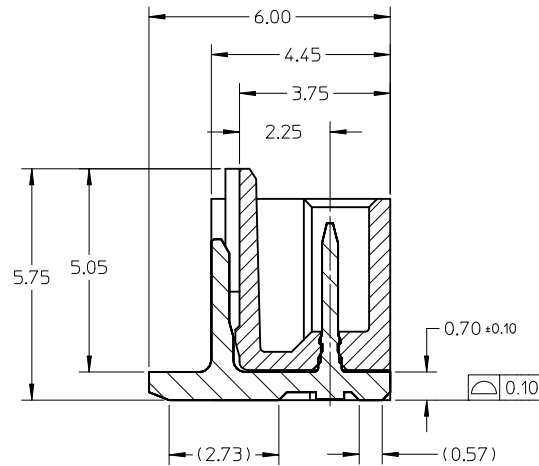
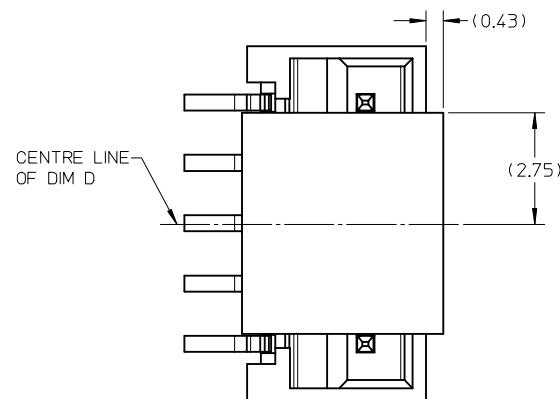
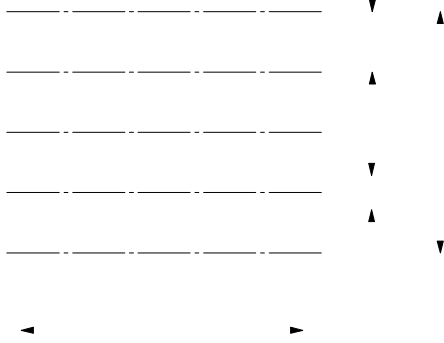
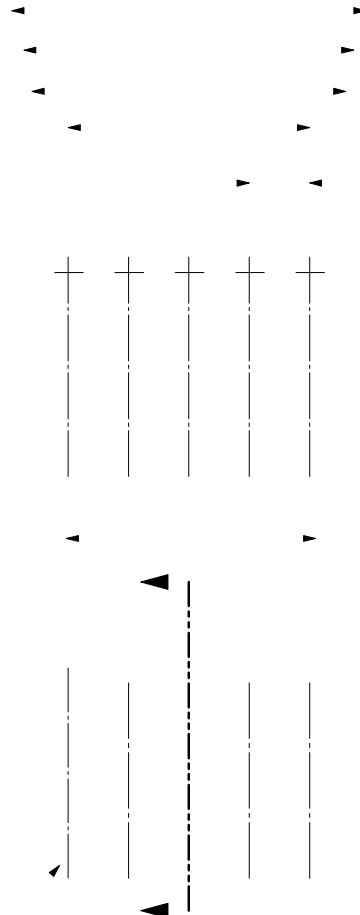
D

C

B

A

B LAYOUT



SECTION A-A
(WITHOUT CAP)

SECTION A-A
(WITH CAP)

- NOTES:
- MATERIAL:
HOUSING: NYLON, GLASS FILLED, UL94 V-0,
COLOR - SEE TABLE.
CAP: NYLON, GLASS FILLED, UL94V-0
COLOR: BEIGE.
PINS: BRASS ALLOY, C26000, P/N87437-8083.
 - PLATING: 2.54µM, MIN. TIN OVER 1.27µM MIN. NICKEL.
 - DRAWING SHOWS PLUG WITH 5 CIRCUITS.
 - HEADER TO BE USED WITH CRIMP HOUSING, P/N 87439
AND CRIMP TERMINAL, P/N 87421.
 - PARTS TO BE PACKED IN MOISTURE BAG.
 - THIS DRAWING IS RE-DRAWING OF SD-87437-**-31.

REVISED	EC NO: J2014-0799	2013/11/06	GENERAL TOLERANCES (UNLESS SPECIFIED)		DIMENSION STYLE MM ONLY		SCALE 8:1	DESIGN UNITS METRIC	THIRD ANGLE PROJECTION	
	DRWNR:HORI	2013/11/07	10 UNDER	± 0.20	DRAWN BY	DATE	TITLE			
	CHKD:KASAKAWA	2013/11/07	10 OVER 30 UNDER	± 0.20	CHECKED BY	DATE	1.50MM PITCH, W-T-B HEADER, VERTICAL, SMT			
	APPR:NUKITA	2013/11/08	30 OVER	± 0.20	APPROVED BY	DATE				
REV	DESCRIPTION	ANGULAR ±3 °		MATERIAL NO.		DOCUMENT NO.		SHEET NO.		
		DRAFT WHERE APPLICABLE MUST REMAIN WITHIN DIMENSIONS		SEE TABLE		SD-87437-001		1 OF 4		
				SIZE A3		THIS DRAWING CONTAINS INFORMATION THAT IS PROPRIETARY TO MOLEX INCORPORATED AND SHOULD NOT BE USED WITHOUT WRITTEN PERMISSION				

9 8 7 6 5 4 3 2