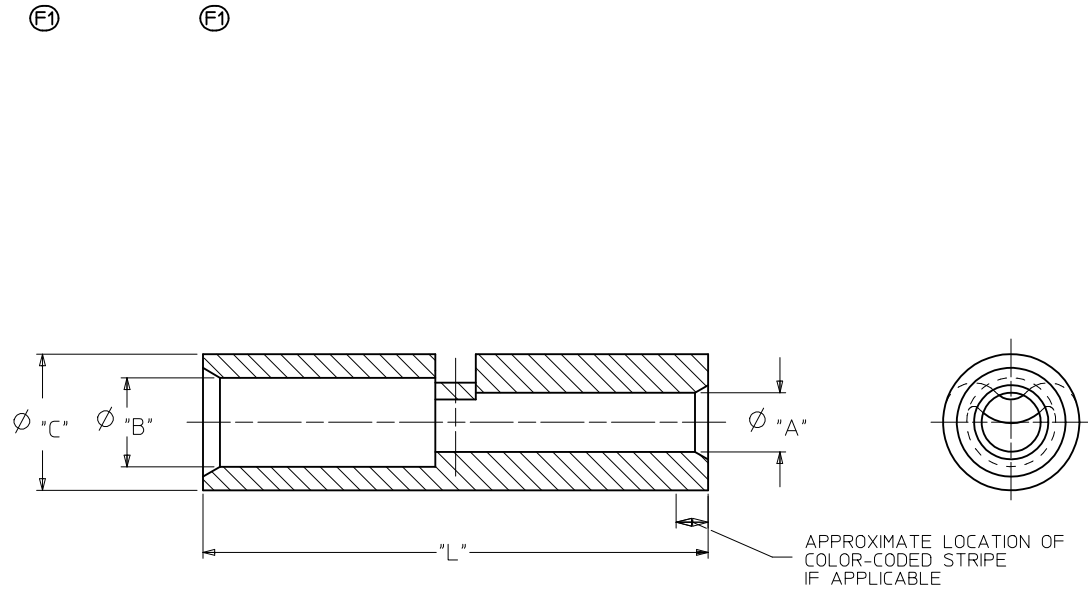


MATERIAL NUMBER	ENG. NUMBER	CODE STRIPE COLOR	"A"		"B"		"C" MAX.	"L" MAX.	CMA RANGE	
			AWG.	MIN. DIA.	AWG.	MIN. DIA.			LARGE I.D. TO	SMALL I.D.
I92150013	BA-331	RED	22-18	.071/1.80	16-14	.088/2.24	.160/4.06	.675/17.15	2050-5180	TO 509-2600
I92150023	CB-346	BLUE	16-14	.097/2.46	12-10	.137/3.48	.223/5.66	.827/21.0	5180-13,100	TO 2050-5180
I92150037	DC-354	YELLOW	12-10	.139/3.53	#8	.172/4.37	.291/7.39	.854/21.69	13,100-20,800	TO 5180-13,100
I92150042	ED-362	RED	#8	.182/4.62	#6	.237/6.02	.375/9.53	1.045/26.54	20,800-33,100	TO 13,100-20800



# SALES DRAWING

- NOTES:
- MATERIAL: COPPER  
FINISH: ELECTRO-TIN
  - DELETED
  - PART IS ROHS COMPLIANT.

<b>CORRECTED DIMS</b> EC NO: WNA2010-0735 DRW: HETHRODAHL 2010/05/26 CHKD: JMAGNEIL 2010/05/26 APPR: JMAGNEIL 2010/06/04	QUALITY SYMBOLS	GENERAL TOLERANCES (UNLESS SPECIFIED) <table border="1"> <tr> <th></th> <th>mm</th> <th>INCH</th> </tr> <tr> <td>4 PLACES</td> <td>± .005</td> <td>± .0005</td> </tr> <tr> <td>3 PLACES</td> <td>± .005</td> <td>± .0005</td> </tr> <tr> <td>2 PLACES</td> <td>± .005</td> <td>± .0005</td> </tr> <tr> <td>1 PLACE</td> <td>± .005</td> <td>± .0005</td> </tr> <tr> <td colspan="3">ANGULAR ± .005°</td> </tr> </table>		mm	INCH	4 PLACES	± .005	± .0005	3 PLACES	± .005	± .0005	2 PLACES	± .005	± .0005	1 PLACE	± .005	± .0005	ANGULAR ± .005°			DIMENSION STYLE	SCALE	DESIGN UNITS	THIRD ANGLE PROJECTION
			mm	INCH																				
	4 PLACES		± .005	± .0005																				
	3 PLACES		± .005	± .0005																				
2 PLACES	± .005	± .0005																						
1 PLACE	± .005	± .0005																						
ANGULAR ± .005°																								
	IN/MM	5:1	INCH	STEP DOWN BUTT CONNECTOR VERSAKRIMP																				
	DRAWN BY RMARSHALL	DATE 91/10/28	CHECKED BY RDEROSS	DATE 91/10/28	MOLEX INCORPORATED																			
	APPROVED BY RDEROSS	DATE 91/10/28	MATERIAL NO.	DOCUMENT NO. SD-19215-004	SHEET NO. 1 OF 1																			