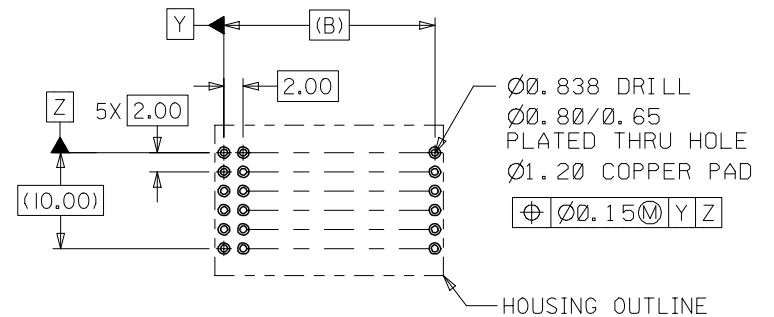
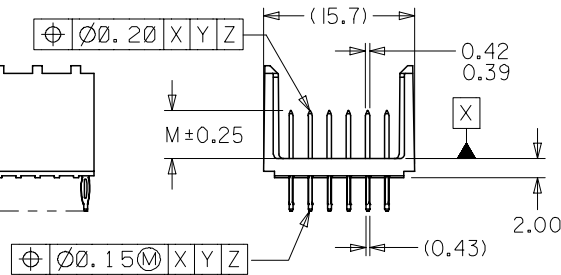
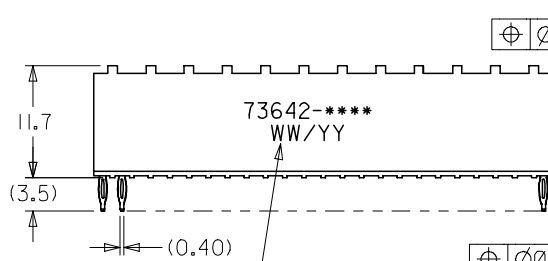
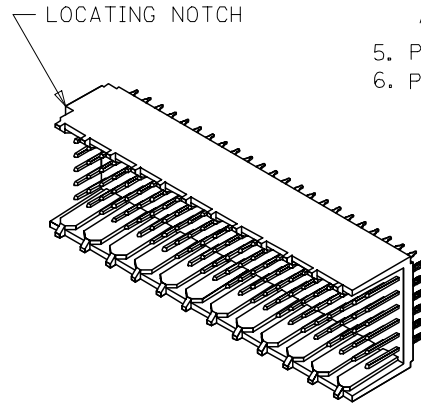
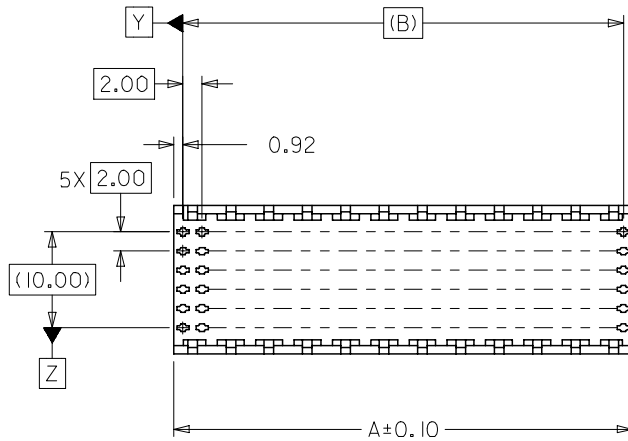


## NOTES:

1. MATERIALS: HOUSING - LIQUID CRYSTAL POLYMER (LCP), GLASS-FILLED, UL94V-0, COLOR: BLACK, TERMINAL - PHOSPHOR BRONZE.
2. FINISHES: SELECTIVE GOLD (Au) IN CONTACT AREA, SELECTIVE TIN (Sn) IN TAIL AREA; NICKEL (Ni) OVERALL.
3. THIS PART CONFORMS TO MOLEX PRODUCT SPECIFICATION PS-73670-9999.
4. FOR MIXED CONTACT MATING LENGTHS, CONSULT FACTORY FOR AVAILABILITY.
5. PACKAGE PER PK-70873-0818.
6. PARTS MARKED WITH PART NUMBER AND DATE CODE, ON EITHER SIDE, APPROXIMATELY WHERE SHOWN.



PCB LAYOUT: COMPONENT SIDE  
RECOMMENDED PCB THICKNESS: 2.50 MIN.

INITIAL RELEASE EC NO: UCP2006-1564 DRW: JJONIAK 2006/01/31 CHKD: JBINGHAM 2006/01/31 APPR: CBI XLER 2006/02/02	DESCRIPTION QUALITY SYMBOLS ▽=0 ▽=0	GENERAL TOLERANCES (UNLESS SPECIFIED)		DIMENSION STYLE MM ONLY		SCALE 2:1	DESIGN UNITS METRIC	THIRD ANGLE PROJECTION	
			mm	INCH	DRAWN BY JJONIAK	DATE 2005/11/01	TITLE SALES ASSEMBLY LEADFREE HDM BACKPLANE MODULE OPEN END OPTION		
		4 PLACES	± ---	± ---	CHECKED BY JBINGHAM	DATE 2005/11/01			
		3 PLACES	± ---	± ---	APPROVED BY JBINGHAM	DATE 2005/11/01	MOLEX INCORPORATED		
2 PLACES	± ---	± ---	MATERIAL NO. SEE PAGE 2	DOCUMENT NO. SD-73642-003	SHEET NO. 1 OF 2				
1 PLACE	± ---	± ---	ANGULAR ±1/2°		THIS DRAWING CONTAINS INFORMATION THAT IS PROPRIETARY TO MOLEX INCORPORATED AND SHOULD NOT BE USED WITHOUT WRITTEN PERMISSION				
DRAFT WHERE APPLICABLE MUST REMAIN WITHIN DIMENSIONS									

10 9 8 7 6 5 4 3 2 1

MATERIAL NUMBER	NUMBER OF SIGNAL CONTACTS	PLATING	DIM "A"	DIM "B"	DIM "M"
73642-2009	72	SELECTIVE GOLD/SELECTIVE TIN	23.84	22.00	5.00
73642-2109	72	SELECTIVE GOLD/SELECTIVE TIN	23.84	22.00	5.50
73642-2209	72	SELECTIVE GOLD/SELECTIVE TIN	23.84	22.00	6.00
73642-3009	144	SELECTIVE GOLD/SELECTIVE TIN	47.84	46.00	5.00
73642-3109	144	SELECTIVE GOLD/SELECTIVE TIN	47.84	46.00	5.50
73642-3209	144	SELECTIVE GOLD/SELECTIVE TIN	47.84	46.00	6.00

INITIAL RELEASE EC NO: UCP2006-1564 DRWN: JJONIAK 2006/01/31 CHKD: JBINGHAM 2006/01/31 APPR: CBI XLER 2006/02/02	DESCRIPTION REV A	QUALITY SYMBOLS ▽=0 ▽=0	GENERAL TOLERANCES (UNLESS SPECIFIED) <table border="1"> <thead> <tr> <th></th> <th>mm</th> <th>INCH</th> </tr> </thead> <tbody> <tr> <td>4 PLACES</td> <td>± ---</td> <td>± ---</td> </tr> <tr> <td>3 PLACES</td> <td>± ---</td> <td>± ---</td> </tr> <tr> <td>2 PLACES</td> <td>± ---</td> <td>± ---</td> </tr> <tr> <td>1 PLACE</td> <td>± ---</td> <td>± ---</td> </tr> <tr> <td colspan="3">ANGULAR ±1/2°</td> </tr> </tbody> </table>		mm	INCH	4 PLACES	± ---	± ---	3 PLACES	± ---	± ---	2 PLACES	± ---	± ---	1 PLACE	± ---	± ---	ANGULAR ±1/2°			DIMENSION STYLE MM ONLY DRAWN BY JJONIAK DATE 2005/11/01 CHECKED BY JBINGHAM DATE 2005/11/01 APPROVED BY JBINGHAM DATE 2005/11/01	SCALE --- DESIGN UNITS METRIC THIRD ANGLE PROJECTION	TITLE SALES ASSEMBLY LEADFREE HDM BACKPLANE MODULE OPEN END OPTION
			mm	INCH																				
		4 PLACES	± ---	± ---																				
		3 PLACES	± ---	± ---																				
2 PLACES	± ---	± ---																						
1 PLACE	± ---	± ---																						
ANGULAR ±1/2°																								
DRAFT WHERE APPLICABLE MUST REMAIN WITHIN DIMENSIONS			MATERIAL NO. SEE CHART	DOCUMENT NO. SD-73642-003	SHEET NO. 2 OF 2																			
			SIZE B	THIS DRAWING CONTAINS INFORMATION THAT IS PROPRIETARY TO MOLEX INCORPORATED AND SHOULD NOT BE USED WITHOUT WRITTEN PERMISSION																				

9 8 7 6 5 4 3 2 1