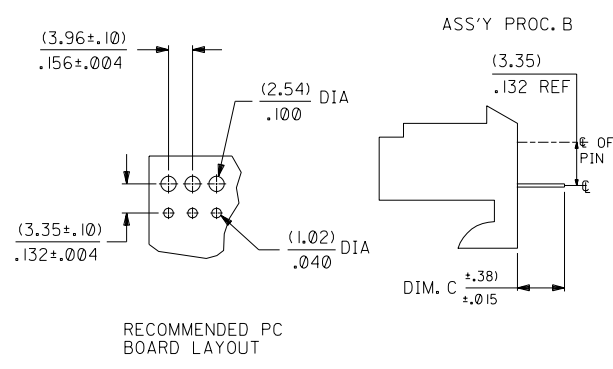


- NOTES:
1. TERMINALS MUST CONFORM TO SOLDERABILITY SPEC. ES-152.
 2. PARTS CONFORM TO PRODUCT SPEC 08-50.
 3. HOUSING MATERIAL: NYLON, UL LISTED
 4. "*" PRECEDING ENG. NO. IN CHARTS DESIGNATES STANDARD PRODUCT.
 5. TERMINAL TAIL CENTERLINES ARE TO BE WITHIN (.30)/.012 OF EACH OTHER.
 6. FOR KINKED PIN INFORMATION SEE SMES-42329-***.



A - 2145 - * * N * * * - *
 VOID LOCATION
 ASS'Y. PROCEDURE
 A=RIGHT ANGLE
 B=BOTTOM ENTRY
 C=TOP ENTRY
 D=TOP ENTRY WITH KINKED TAIL
 E=BOTTOM ENTRY WITH HOOKS CUT OFF
 F=TOP ENTRY WITH HOOKS CUT OFF
 PACKAGING CODE
 BLANK=BULK PACK
 A=TUBE PACK PER PK-40873-0026

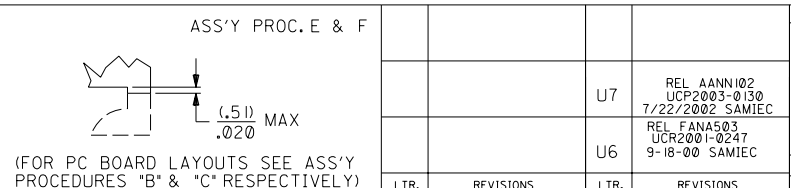
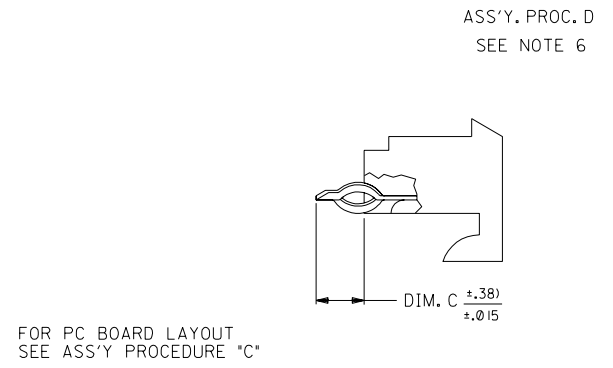
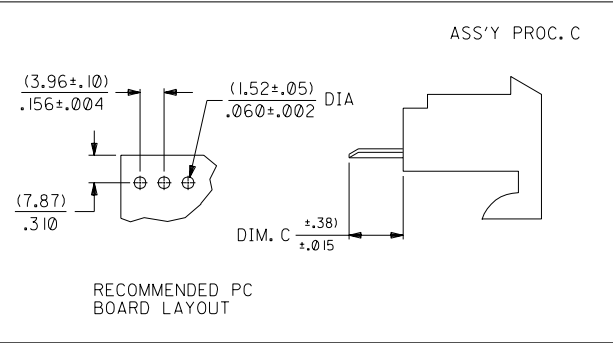
PLATING
 (102) 200 M.I. MIN TIN OVER 100 M.I. MIN COPPER
 (587) SELECT GOLD 15 M.I. MIN
 SELECT TIN-LEAD 75 M.I. MIN. OVER
 50 M.I. MIN NICKEL

- HOUSING NO.
- A=2145-N-AN 94V-2 NATURAL WITH RAMPES AND HOOKS
 - B=2145-NBK-AN 94V-2 DYED BLACK WITH RAMPES AND HOOKS
 - C=2145-A-AN 94V-0 NATURAL WITH RAMPES AND HOOKS
 - G=2145-N-CN 94V-2 NATURAL WITH HOOKS ONLY
 - H=2145-NGN-AN 94V-2 DYED GREEN WITH RAMPES AND HOOKS
 - J=2145-NYW-AN 94V-2 DYED YELLOW WITH RAMPES AND HOOKS
 - K=2145-NRD-AN 94V-2 DYED RED WITH RAMPES AND HOOKS
 - L=2145-N-AN-5 94V-2 NATURAL W/ RAMPES AND HOOKS MOLDED IN VOIDS

- TERMINAL NO.
- A=2144-AA-AIAA(+)B (BRASS)
 - B=2144-BA-AIAA(+)B (PHOS BRONZE)
 - C=2144-AA-A2AA(+)B (BRASS)
 - D=2144-BA-A2AA(+)B (PHOS BRONZE)
 - E=6298-A(+) (PHOS BRONZE) LOW FORCE
 - H=2188-(*) (BRASS)
 - J=2188-(*) (BRASS)
 - K=4244-(*) (BRASS)
 - L=6298-(*) (PHOS BRONZE)
 - M=2144-BA-BIAA(+)B (PHOS BRONZE) LOW FORCE
 - N=4244-A(+) (PHOS BRONZE)

NO. OF CKTS.	DIM. A	DIM. B	KINK PIN LOCATION (ASSY. PROC. D ONLY)
2	(3.96 ± .13) .156 ± .005	(7.82) .308	N/A
3	(7.92 ± .13) .312 ± .005	(11.79) .464	N/A
4	(11.89 ± .13) .468 ± .005	(15.75) .620	1, 2 3, 4
5	(15.85 ± .13) .624 ± .005	(19.71) .776	2, 3 4, 5
6	(19.81 ± .13) .780 ± .005	(23.67) .932	2, 3 4, 5
7	(23.77 ± .25) .936 ± .010	(27.64) 1.088	2, 3 5, 6
8	(27.74 ± .25) 1.092 ± .010	(31.60) 1.244	2, 3 6, 7
9	(31.70 ± .25) 1.248 ± .010	(35.56) 1.400	2, 3 7, 8
10	(35.66 ± .25) 1.404 ± .010	(39.52) 1.556	2, 3 8, 9
11	(39.62 ± .25) 1.560 ± .010	(43.48) 1.712	2, 3 9, 10
12	(43.59 ± .25) 1.716 ± .010	(47.45) 1.868	2, 3 10, 11
13	(47.55 ± .25) 1.872 ± .010	(51.41) 2.024	2, 3 11, 12
14	(51.51 ± .36) 2.028 ± .014	(55.37) 2.180	2, 3 12, 13
15	(55.47 ± .36) 2.184 ± .014	(59.33) 2.336	2, 3 13, 14
16	(59.44 ± .36) 2.340 ± .014	(63.30) 2.492	2, 3 14, 15

20	U
19	T
18	U7
17	M
16	T6
15	T
14	T2
13	U6
12	U5
11	R3
10	U
9	T
8	T
7	U3
6	U
5	U
4	U
3	U
2	U
1	U7



DIMENSIONS SHOWN (METRIC) INCH UNLESS OTHERWISE SPECIFIED TOLERANCES: ANGULAR ± 1/2°

INCH	METRIC
3 PLACE ± .010	---
2 PLACE ± .014	± 0.25
1 PLACE ---	± 0.36

DRAFT WHERE APPLICABLE MUST REMAIN WITHIN DIMENSIONS

DRWG. PEREZ-ARGUETA BY LENZ SCALE

CHK'D. PATEL

FILE NAME S2145X1

TITLE HOUSING ASS'Y, P.C. TAIL (3.96)/.156 C 2145 SERIES DRAWING

MOLEX INCORPORATED U.S.A. 1 OF 20 7 / 9 / 87

SEE CHART SDA-2145

THIS DRAWING CONTAINS INFORMATION THAT IS PROPRIETARY TO MOLEX INC. AND SHOULD NOT BE USED WITHOUT WRITTEN PERMISSION.

	13	12	11	10	9	8	7	6	2145	4	3	2	1		
J	ENG. NO.		HOUSING NO.		TERMINAL NO.		DIM. C		EDP ON SHT/COL						J
	A-2145-AANA(102)-*	2145-N-AN	2144-AA-AIAA-102B	(3.68) / .145	7 / 1										
	A-2145-AANA(122)-*	2145-N-AN	2144-AA-AIAA-122B	(3.68) / .145	7 / 2										
	A-2145-AANA(505)-**	2145-N-AN	2144-AA-AIAA-505B	(3.68) / .145	7 / 3										
	A-2145-AANA(507)-*	2145-N-AN	2144-AA-AIAA-507B	(3.68) / .145	7 / 4										
I	A-2145-AANB(558)-**	2145-N-AN	2144-BA-AIAA-558B	(3.68) / .145	8 / 1										I
	A-2145-AANA(P913)-*	2145-N-AN	2144-AA-AIAA-P913B	(3.68) / .145	8 / 2										
	A-2145-ABNA(122)-*	2145-NBK-AN	2144-AA-AIAA-122B	(3.68) / .145	8 / 3										
	A-2145-ABNA(P913)-*	2145-NBK-AN	2144-AA-AIAA-P913B	(3.68) / .145	8 / 4										
	A-2145-AANA(587)-**	2145-N-AN	2144-AA-AIAA-587B	(3.68) / .145	9 / 1										
	A-2145-AGNA(P913)-*	2145-N-CN	2144-AA-AIAA-587B	(3.68) / .145	9 / 2										
H	A-2145-BANH(102)-*	2145-N-AN	2188-(102)	(4.06) / .160	9 / 3										H
	A-2145-BANH(122)-*	2145-N-AN	2188-(122)	(4.06) / .160	9 / 4										
	A-2145-BANL(P913)-*	2145-N-AN	6298-(P913)	(4.06) / .160	10 / 1										
	A-2145-BANL(565)-**	2145-N-AN	6298-(565)	(4.06) / .160	10 / 2										
	A-2145-BBNH(122)-*	2145-NBK-AN	2188-(122)	(4.06) / .160	10 / 3										
G	A-2145-CANA(102)-*	2145-N-AN	2144-AA-AIAA-102B	(3.05) / .120	10 / 4										G
	A-2145-CANA(122)-*	2145-N-AN	2144-AA-AIAA-122B	(3.05) / .120	11 / 1										
	A-2145-CANB(565)-**	2145-N-AN	2144-BA-AIAA-565B	(3.05) / .120	11 / 2										
	A-2145-CANC(P913)-*	2145-N-AN	2144-AA-A2AA-P913B	(4.80) / .189	11 / 3										
	A-2145-FGNA(587)-**	2145-N-CN	2144-AA-AIAA-587B	(3.05) / .120	11 / 4										
	A-2145-FANA(P913)-*	2145-N-AN	2144-AA-AIAA-P913B	(3.05) / .120	12 / 1										
F	A-2145-DANC(P913)-*	2145-N-AN	2144-AA-A2AA-P913B	(4.80) / .189	12 / 2										F
	A-2145-BBNH(P913)-*	2145-NBK-AN	2188-(P913)	(4.06) / .160	12 / 3										
	A-2145-CBNA(P913)-*	2145-NBK-AN	2144-AA-AIAA-P913B	(3.05) / .120	12 / 4										
	A-2145-FGNA(550)-**	2145-N-CN	2144-AA-AIAA-550B	(3.05) / .120	13 / 1										
	A-2145-BANH(P913)-*	2145-N-AN	2188-(P913)	(4.06) / .160	13 / 2										
E	A-2145-BANH(587)-**	2145-N-AN	2188-(587)	(4.06) / .160	13 / 3										E
	A-2145-FANA(503)-**	2145-N-AN	2144-AA-AIAA-503B	(3.05) / .120	13 / 4										
	A-2145-EANH(P913)-*	2145-N-AN	2188-(P913)	(4.06) / .160	14 / 1										
	A-2145-AANK(P913)-*	2145-N-AN	4244-(P913)	(3.68) / .145	14 / 2										
	A-2145-ABNK(P913)-*	2145-NBK-AN	4244-(P913)	(3.68) / .145	14 / 3										
D	A-2145-ABNA(587)-**	2145-NBK-AN	2144-AA-AIAA-587B	(3.68) / .145	14 / 4										D
	A-2145-AANA(109)-**	2145-N-AN	2144-AA-AIAA-109B	(3.68) / .145	15 / 1										
	A-2145-CANA(P913)-*	2145-N-AN	2144-AA-AIAA-P913B	(3.05) / .120	15 / 2										
	A-2145-AANB(122)-*	2145-N-AN	2144-BA-AIAA(122)B	(3.68) / .145	15 / 3										
	A-2145-BANL(122)-*	2145-N-AN	6298-(122)	(4.06) / .160	15 / 4										
	A-2145-CANB(122)-*	2145-N-AN	2144-BA-AIAA(122)B	(3.05) / .120	16 / 1										
C	A-2145-EGNH(P913)-*	2145-N-CN	2188-(P913)	(4.06) / .160	16 / 2										C
	A-2145-FGNA(P913)-*	2145-N-CN	2144-AA-AIAA-P913B	(3.05) / .120	16 / 3										
	A-2145-CANA(587)-**	2145-N-AN	2144-AA-AIAA-587B	(3.05) / .120	16 / 4										
	A-2145-BHNH(122)-*	2145-NGN-AN	2188-(122)	(4.06) / .160	17 / 1										
	A-2145-BJNH(122)-*	2145-NYW-AN	2188-(122)	(4.06) / .160	17 / 2										
B	A-2145-BKNH(122)-*	2145-NRD-AN	2188-(122)	(4.06) / .160	17 / 3										B
				/	/										
A															A

SEE SHEET I	M1	SEE SHEET I	DIMENSIONS SHOWN (METRIC) INCH		▽ = 0	▽ = 0	REVISE ONLY ON CAD SYSTEM
SEE SHEET I	M	SEE SHEET I	UNLESS OTHERWISE SPECIFIED TOLERANCES ANGULAR ± 1/2°		TITLE HOUSING ASS'Y, P.C. TAIL		
U	SEE SHEET I	K	SEE SHEET I	INCH METRIC		MOLEX INCORPORATED	
T	SEE SHEET I	J3	SEE SHEET I	3 PLACE ±	2 PLACE ±	SHEET NO. 5 DATE 7/9/87	
G	SEE SHEET I	J	SEE SHEET I	1 PLACE ±	±	PART NO. SEE CHART	
R	SEE SHEET I	H	SEE SHEET I	DRAFT WHERE APPLICABLE MUST REMAIN WITHIN DIMENSIONS			
M3	SEE SHEET I	G1	SEE SHEET I	DRWG. PEREZ	CHK'D. ARQUETA	DRWG. NO. SDA-2145	
LTR.	REVISIONS	LTR.	REVISIONS	APP'D. BY LENZ	SCALE	FILE NAME S2145X5	THIS DRAWING CONTAINS INFORMATION THAT IS PROPRIETARY TO MOLEX INC. AND SHOULD NOT BE USED WITHOUT WRITTEN PERMISSION

2145

A

A-2145-AANA(587)-*			A-2145-AGNA(P913)-*			A-2145-BANH(102)-*			A-2145-BANH(122)-*		
PART NO.	ENG. NO(SUFFIX ONLY)	VOID CKT.	PART NO.	ENG. NO(SUFFIX ONLY)	VOID CKT.	PART NO.	ENG. NO(SUFFIX ONLY)	VOID CKT.	PART NO.	ENG. NO(SUFFIX ONLY)	VOID CKT.
09-62-302I	-AA2A(587)			-AG2A(P913)			-BA2H(102)			-BA2H(122)	
09-62-303I	-AA3A(587)			-AG3A(P913)			-BA3H(102)			-BA3H(122)	
09-62-304I	-AA4A(587)			-AG4A(P913)		09-52-1042	-BA4H(102)		09-86-3042	-BA4H(122)	
09-62-305I	-AA5A(587)			-AG5A(P913)			-BA5H(102)			-BA5H(122)	
09-62-306I	-AA6A(587)			-AG6A(P913)			-BA6H(102)			-BA6H(122)	
09-62-307I	-AA7A(587)			-AG7A(P913)			-BA7H(102)		09-86-3072	-BA7H(122)	
09-62-308I	-AA8A(587)			-AG8A(P913)			-BA8H(102)		09-86-3082	-BA8H(122)	
09-62-309I	-AA9A(587)		09-52-2097	-AG9A(P913)		09-52-1092	-BA9H(102)		09-86-3092	-BA9H(122)	
09-62-310I	-AA10A(587)			-AG10A(P913)			-BA10H(102)		09-86-3102	-BA10H(122)	
09-62-311I	-AA11A(587)			-AG11A(P913)			-BA11H(102)		09-86-3112	-BA11H(122)	
09-62-312I	-AA12A(587)			-AG12A(P913)			-BA12H(102)		09-86-3122	-BA12H(122)	
09-62-313I	-AA13A(587)			-AG13A(P913)			-BA13H(102)			-BA13H(122)	
09-62-314I	-AA14A(587)			-AG14A(P913)			-BA14H(102)			-BA14H(122)	
09-62-315I	-AA15A(587)			-AG15A(P913)		09-52-1152	-BA15H(102)		09-86-3152	-BA15H(122)	
	-AA16A(587)			-AG16A(P913)			-BA16H(102)			-BA16H(122)	

COLUMN NO. 1		CON'T. IN COLUMN NO.		SHEET NO.		COLUMN NO. 2		CON'T. IN COLUMN NO.		SHEET NO.		COLUMN NO. 3		CON'T. IN COLUMN NO.		SHEET NO.		COLUMN NO. 4		CON'T. IN COLUMN NO.		SHEET NO.																																																																																																																																																			
SEE SHEET I	M7	SEE SHEET I	SEE SHEET I	M1	SEE SHEET I	SEE SHEET I	M	SEE SHEET I	SEE SHEET I	D8	SEE SHEET I	SEE SHEET I	DI	SEE SHEET I	SEE SHEET I	D	SEE SHEET I	SEE SHEET I	A	SEE SHEET I	LTR.	REVISIONS	LTR.	REVISIONS																																																																																																																																																	
<table border="1"> <tr> <td colspan="12">DIMENSIONS SHOWN (METRIC) INCH UNLESS OTHERWISE SPECIFIED TOLERANCES ANGULAR ± 1/2°</td> <td colspan="2">▽ = 0</td> <td colspan="2">▽ = 0</td> <td colspan="8">REVISE ONLY ON CAD SYSTEM</td> </tr> <tr> <td colspan="12">3 PLACE ±</td> <td colspan="2">±</td> <td colspan="2">±</td> <td colspan="8">TITLE HOUSING ASS'Y, P.C. TAIL (3,96)/.156 C 2145 SERIES DRAWING</td> </tr> <tr> <td colspan="12">2 PLACE ±</td> <td colspan="2">±</td> <td colspan="2">±</td> <td colspan="8">MOLEX INCORPORATED SHEET NO. 9 DATE 7/9/87</td> </tr> <tr> <td colspan="12">1 PLACE ±</td> <td colspan="2">±</td> <td colspan="2">±</td> <td colspan="8">PART NO. SEE CHART DRWG. NO. SDA-2145</td> </tr> <tr> <td colspan="12">DRAFT WHERE APPLICABLE MUST REMAIN WITHIN DIMENSIONS</td> <td colspan="2">DRWG. PEREZ</td> <td colspan="2">CHK'D. ARGUETA</td> <td colspan="2">BY PATEL</td> <td colspan="8">FILE NAME S2145X9 THIS DRAWING CONTAINS INFORMATION THAT IS PROPRIETARY TO MOLEX INC. AND SHOULD NOT BE USED WITHOUT WRITTEN PERMISSION</td> </tr> <tr> <td colspan="12">APP'D. LENZ</td> <td colspan="2">SCALE</td> <td colspan="2">:</td> <td colspan="8">DIN. SIZE C C</td> </tr> </table>																								DIMENSIONS SHOWN (METRIC) INCH UNLESS OTHERWISE SPECIFIED TOLERANCES ANGULAR ± 1/2°												▽ = 0		▽ = 0		REVISE ONLY ON CAD SYSTEM								3 PLACE ±												±		±		TITLE HOUSING ASS'Y, P.C. TAIL (3,96)/.156 C 2145 SERIES DRAWING								2 PLACE ±												±		±		MOLEX INCORPORATED SHEET NO. 9 DATE 7/9/87								1 PLACE ±												±		±		PART NO. SEE CHART DRWG. NO. SDA-2145								DRAFT WHERE APPLICABLE MUST REMAIN WITHIN DIMENSIONS												DRWG. PEREZ		CHK'D. ARGUETA		BY PATEL		FILE NAME S2145X9 THIS DRAWING CONTAINS INFORMATION THAT IS PROPRIETARY TO MOLEX INC. AND SHOULD NOT BE USED WITHOUT WRITTEN PERMISSION								APP'D. LENZ												SCALE		:		DIN. SIZE C C							
DIMENSIONS SHOWN (METRIC) INCH UNLESS OTHERWISE SPECIFIED TOLERANCES ANGULAR ± 1/2°												▽ = 0		▽ = 0		REVISE ONLY ON CAD SYSTEM																																																																																																																																																									
3 PLACE ±												±		±		TITLE HOUSING ASS'Y, P.C. TAIL (3,96)/.156 C 2145 SERIES DRAWING																																																																																																																																																									
2 PLACE ±												±		±		MOLEX INCORPORATED SHEET NO. 9 DATE 7/9/87																																																																																																																																																									
1 PLACE ±												±		±		PART NO. SEE CHART DRWG. NO. SDA-2145																																																																																																																																																									
DRAFT WHERE APPLICABLE MUST REMAIN WITHIN DIMENSIONS												DRWG. PEREZ		CHK'D. ARGUETA		BY PATEL		FILE NAME S2145X9 THIS DRAWING CONTAINS INFORMATION THAT IS PROPRIETARY TO MOLEX INC. AND SHOULD NOT BE USED WITHOUT WRITTEN PERMISSION																																																																																																																																																							
APP'D. LENZ												SCALE		:		DIN. SIZE C C																																																																																																																																																									

2145