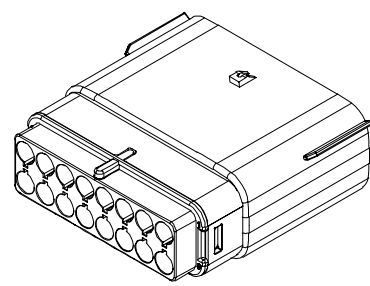
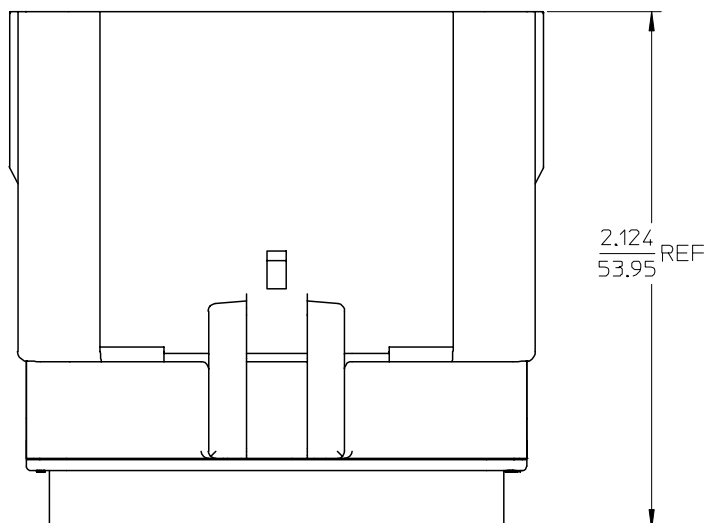
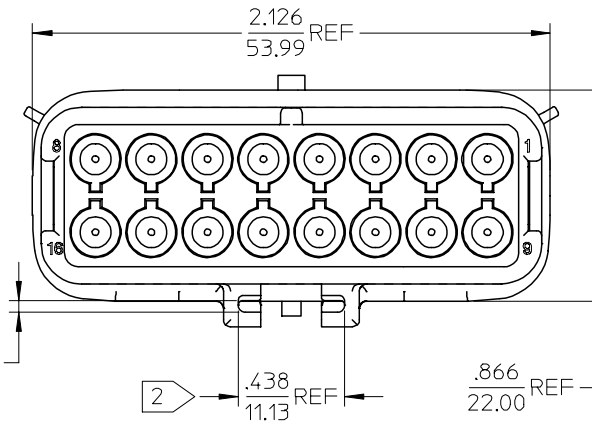
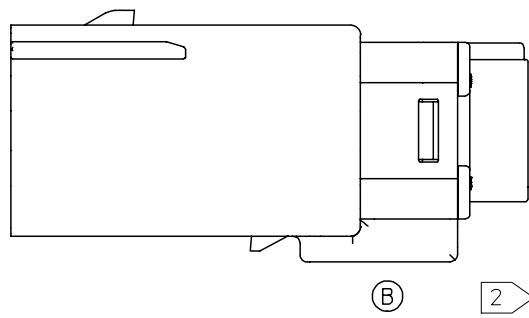
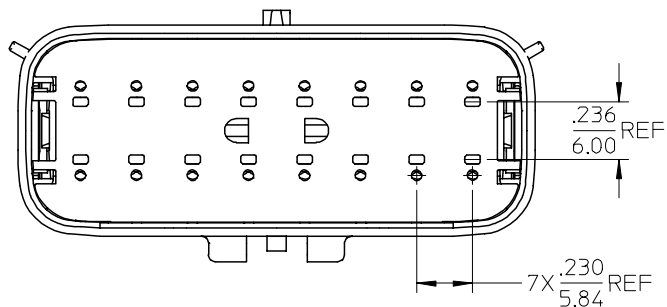


10 9 8 7 6 5 4 3 2 19419



ASSEMBLED VIEW  
SCALE 1:1

194190021	16	16-14
194190020	16	22-18
MATERIAL NUMBER	CIRCUIT SIZE	UL WIRE AWG

- NOTES:
1. ASSEMBLY PACKAGED PER PK-19419-001.
  2. MOUNTING SLOT DIMENSIONS.
  3. USE CONNECTOR WITH MALE CRIMP TERMINAL: SERIES 19417.

EC NO: ETC2004-0202 DRWN:DMYRICK 2004/06/03 CHKD:JPALWICK 2004/06/03 APPR:JPALWICK 2004/06/03	QUALITY SYMBOLS	GENERAL TOLERANCES (UNLESS SPECIFIED)	SCALE 2:1	DESIGN UNITS INCH	THIRD ANGLE PROJECTION	REVISE ON CAD ONLY														
	DESCRIPTION	<table border="1"> <tr> <th></th> <th>mm</th> <th>INCH</th> </tr> <tr> <td>4 PLACES</td> <td>± ---</td> <td>± ---</td> </tr> <tr> <td>3 PLACES</td> <td>± ---</td> <td>± .015</td> </tr> <tr> <td>2 PLACES</td> <td>± 0.38</td> <td>± ---</td> </tr> <tr> <td>1 PLACE</td> <td>± ---</td> <td>± ---</td> </tr> </table>		mm	INCH	4 PLACES	± ---	± ---	3 PLACES	± ---	± .015	2 PLACES	± 0.38	± ---	1 PLACE	± ---	± ---	DIMENSION STYLE IN/MM	TITLE 16 WAY PLUG ASSEMBLY	
	mm	INCH																		
4 PLACES	± ---	± ---																		
3 PLACES	± ---	± .015																		
2 PLACES	± 0.38	± ---																		
1 PLACE	± ---	± ---																		
REV B	ANGULAR ± 1 °	DRAFT WHERE APPLICABLE	DRAWN BY D.MYRICK	DATE 03/12/29	MATERIAL NO. SEE CHART															
	MUST REMAIN WITHIN DIMENSIONS		CHECKED BY JPALWICK	DATE 03/12/29	DOCUMENT NO. SD-19419-007	SHEET NO. 1 OF 1														
			APPROVED BY R.DERROSS	DATE 03/12/29	THIS DRAWING CONTAINS INFORMATION THAT IS PROPRIETARY TO MOLEX INCORPORATED AND SHOULD NOT BE USED WITHOUT WRITTEN PERMISSION															

8 7 6 5 4 3 2 1