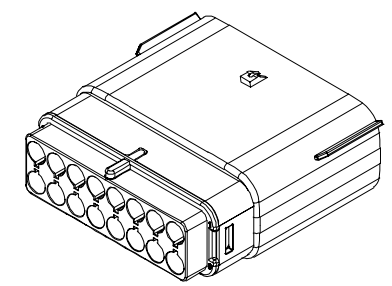
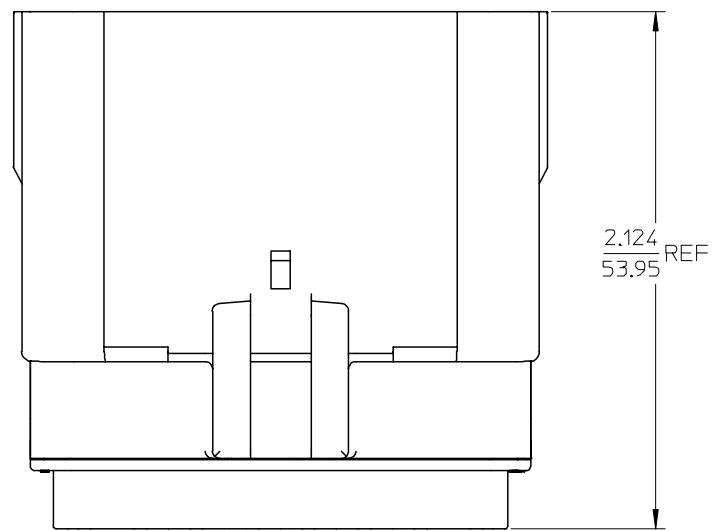
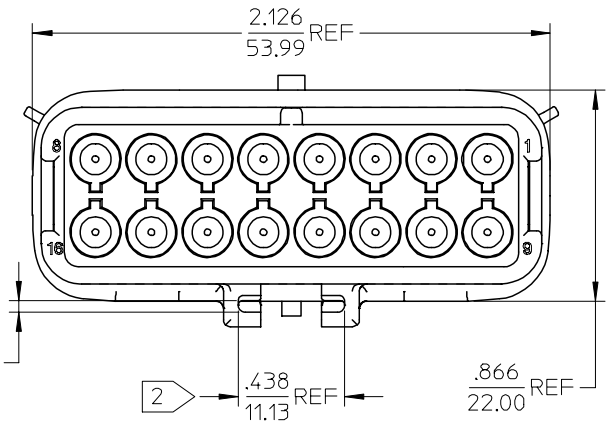
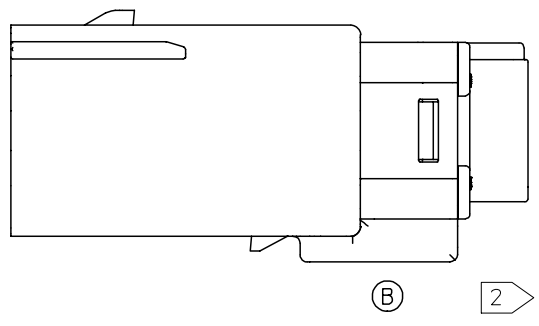
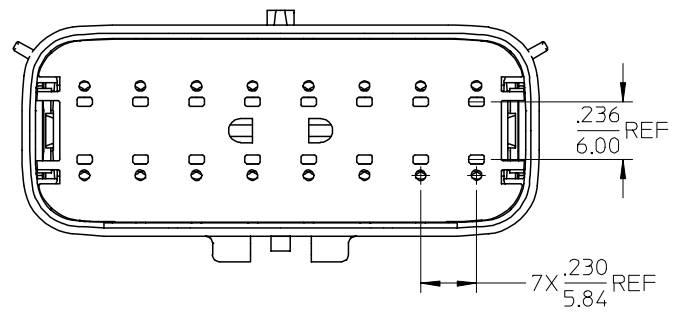


10 9 8 7 6 5 4 3 2 19419



ASSEMBLED VIEW
SCALE 1:1

194190021	16	16-14
194190020	16	22-18
MATERIAL NUMBER	CIRCUIT SIZE	UL WIRE AWG

- NOTES:
1. ASSEMBLY PACKAGED PER PK-19419-001.
 2. MOUNTING SLOT DIMENSIONS.
 3. USE CONNECTOR WITH MALE CRIMP TERMINAL: SERIES 19417.

EC NO: ETC2004-0202 DRWN: DMYRICK 2004/06/03 CHKD: JPAWLICK 2004/06/03 APPR: JPAWLICK 2004/06/03	QUALITY SYMBOLS	GENERAL TOLERANCES (UNLESS SPECIFIED)		SCALE 2:1	DESIGN UNITS INCH	THIRD ANGLE PROJECTION	REVISE ON CAD ONLY	
	DESCRIPTION ▽ = 0 ▽C = 0		mm	INCH	DIMENSION STYLE IN/MM		TITLE 16 WAY PLUG ASSEMBLY	
		4 PLACES	± ---	± ---	DRAWN BY D.MYRICK	DATE 03/12/29	MATERIAL NO. SEE CHART	
		3 PLACES	± ---	± .015	CHECKED BY JPAWLICK	DATE 03/12/29	DOCUMENT NO. SD-19419-007	SHEET NO. 1 OF 1
	2 PLACES	± 0.38	± ---	APPROVED BY R.DERROSS	DATE 03/12/29	THIS DRAWING CONTAINS INFORMATION THAT IS PROPRIETARY TO MOLEX INCORPORATED AND SHOULD NOT BE USED WITHOUT WRITTEN PERMISSION		
	1 PLACE	± ---	± ---	DRAFT WHERE APPLICABLE				
		ANGULAR ± 1 °		MUST REMAIN WITHIN DIMENSIONS				

8 7 6 5 4 3 2 1