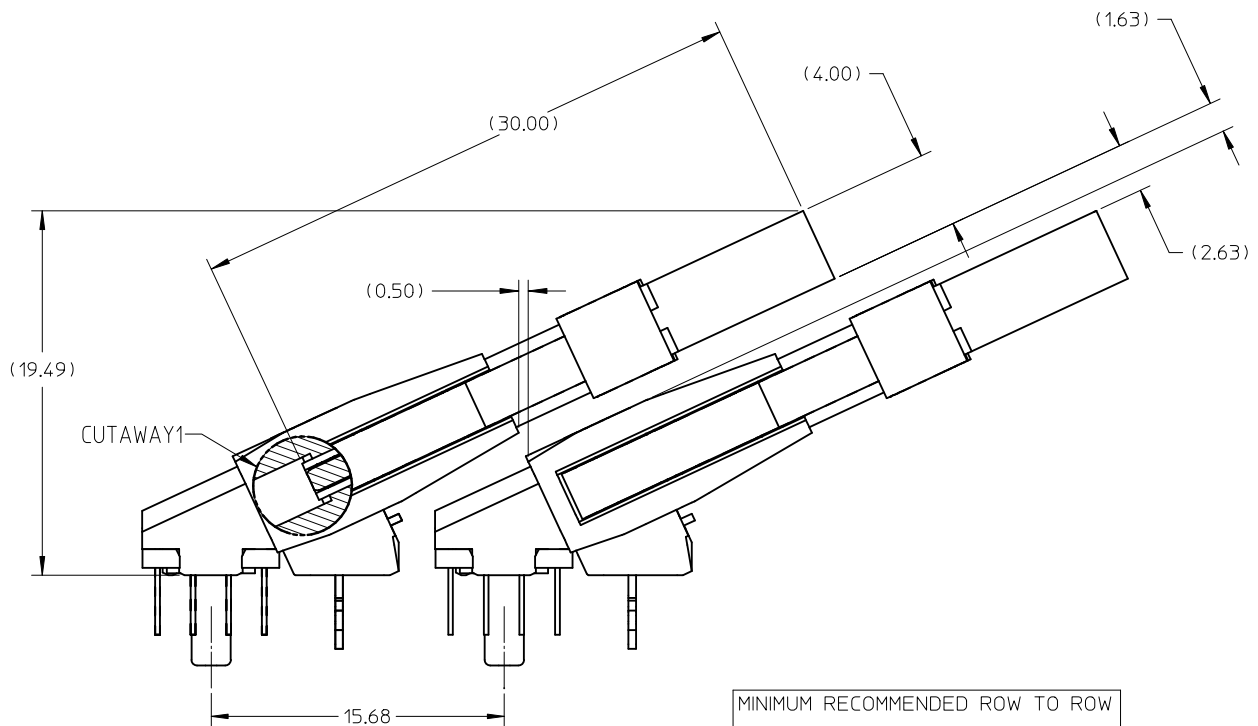
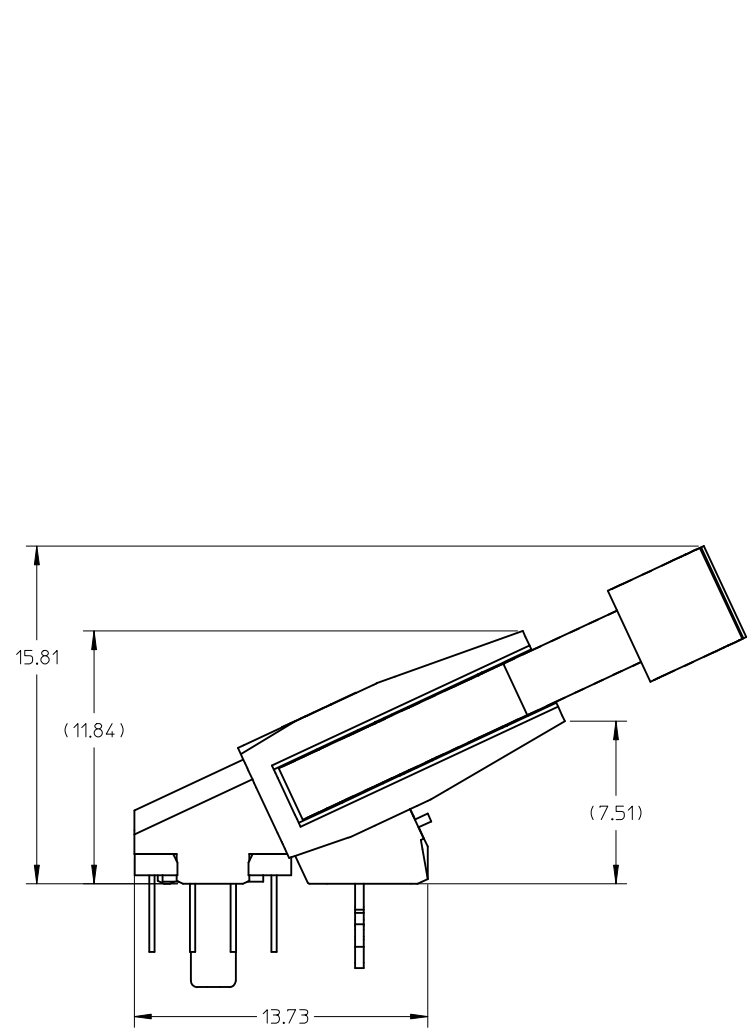


- NOTES:
- MATERIAL : HOUSING & BASEPLATE.
    - LCP, GLASS FILLED, UL94-V0, BLACK.
    - LATCH.
    - HIGH TEMP. NYLON, GLASS FILLED, UL94-V0, NATURAL (OFF WHITE).
    - TERMINALS & FORKLOCK - COPPER ALLOY.
  - PLATING : CONTACT AREA - SEE TABLE ON SHEET 5.  
SOLDERTAIL - SEE TABLE ON SHEET 5.
  - CARD SLOT ACCEPTS 1.27+/-0.10MM MODULE THICKNESS (MEASURED OVER PC PADS).
  - REFER TO PRODUCT SPECIFICATION, PS-87919-001 FOR PERFORMANCE SPECIFICATION.
  - RECOMMENDED MODULE CARD LAYOUT SHALL BE AS PER JEDEC MO-237.
  - PRODUCT SHALL BE PACKED IN TRAY. PLS REFER TO SHEET 3.

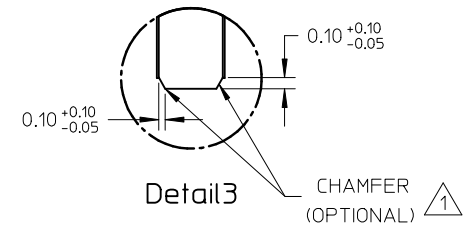
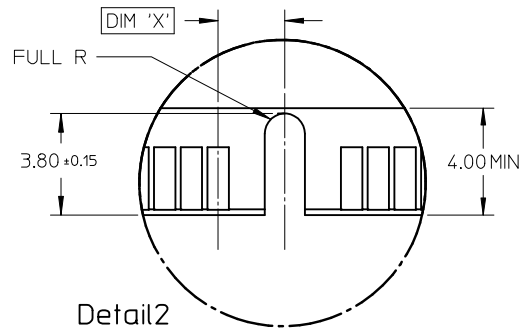
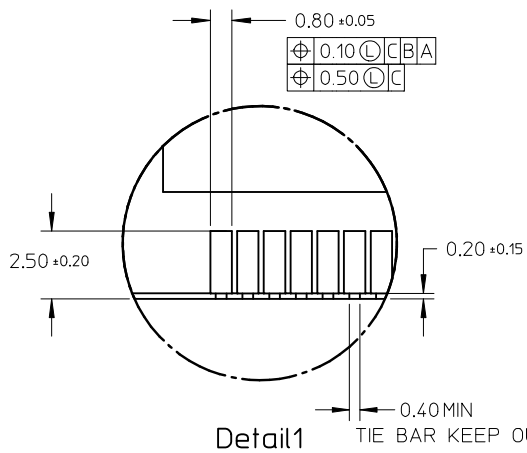
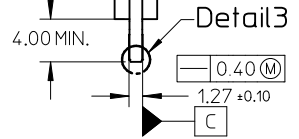
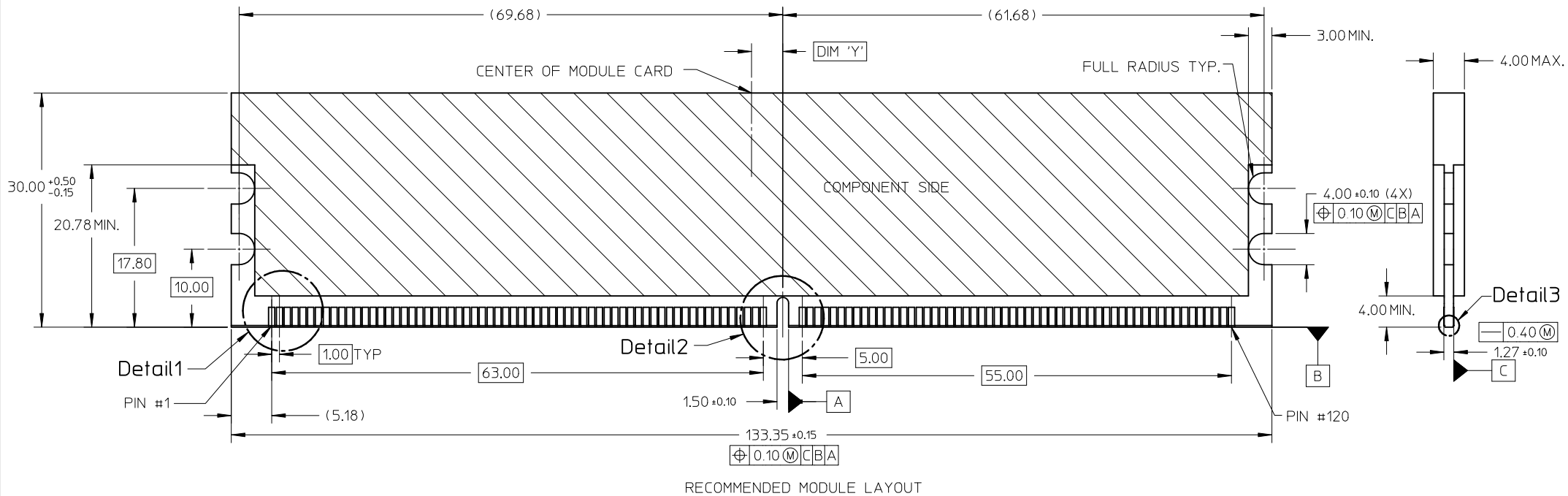
- ▲ MOLEX LOGO, DATE & PART NUMBER INDICATED ON HOUSING.

ADDED OPTION EC NO: S2010-0393 DRWN:LCYH 2009/11/16 CH'KD:CGTAN 2009/11/16 APPR:SHENI 2009/11/17 A7	DESCRIPTION REV	QUALITY SYMBOLS	GENERAL TOLERANCES (UNLESS SPECIFIED)		DIMENSION STYLE MM ONLY		SCALE NTS	DESIGN UNITS METRIC	THIRD ANGLE PROJECTION																										
		$F_A = 0$ $F_G = 0$ $F_P = 0$	<table border="1"> <thead> <tr> <th></th> <th>mm</th> <th>INCH</th> </tr> </thead> <tbody> <tr> <td>4 PLACES</td> <td>± ---</td> <td>± ---</td> </tr> <tr> <td>3 PLACES</td> <td>± ---</td> <td>± ---</td> </tr> <tr> <td>2 PLACES</td> <td>± 0.25</td> <td>± ---</td> </tr> <tr> <td>1 PLACE</td> <td>± ---</td> <td>± ---</td> </tr> </tbody> </table>		mm	INCH	4 PLACES	± ---	± ---	3 PLACES	± ---	± ---	2 PLACES	± 0.25	± ---	1 PLACE	± ---	± ---	<table border="1"> <thead> <tr> <th>DRAWN BY</th> <th>DATE</th> </tr> </thead> <tbody> <tr> <td>JTAN</td> <td>2004/05/26</td> </tr> <tr> <th>CHECKED BY</th> <th>DATE</th> </tr> <tr> <td>MLONG</td> <td>2004/06/11</td> </tr> <tr> <th>APPROVED BY</th> <th>DATE</th> </tr> <tr> <td>GGLEE</td> <td>2004/06/11</td> </tr> </tbody> </table>	DRAWN BY	DATE	JTAN	2004/05/26	CHECKED BY	DATE	MLONG	2004/06/11	APPROVED BY	DATE	GGLEE	2004/06/11	TITLE DDR2 DIMM, 1.00MM PITCH 240 CKTS, 25 DEG. REVERSE ANGLE		MOLEX INCORPORATED	SHEET NO. 1 OF 6
			mm	INCH																															
		4 PLACES	± ---	± ---																															
3 PLACES	± ---	± ---																																	
2 PLACES	± 0.25	± ---																																	
1 PLACE	± ---	± ---																																	
DRAWN BY	DATE																																		
JTAN	2004/05/26																																		
CHECKED BY	DATE																																		
MLONG	2004/06/11																																		
APPROVED BY	DATE																																		
GGLEE	2004/06/11																																		
DRAFT WHERE APPLICABLE MUST REMAIN WITHIN DIMENSIONS		MATERIAL NO. SEE TABLE	DOCUMENT NO. SD-87919-001																																
		SIZE A3	THIS DRAWING CONTAINS INFORMATION THAT IS PROPRIETARY TO MOLEX INCORPORATED AND SHOULD NOT BE USED WITHOUT WRITTEN PERMISSION																																



MINIMUM RECOMMENDED ROW TO ROW SPACING WHEN USING 4.00MM THICK MODULE.

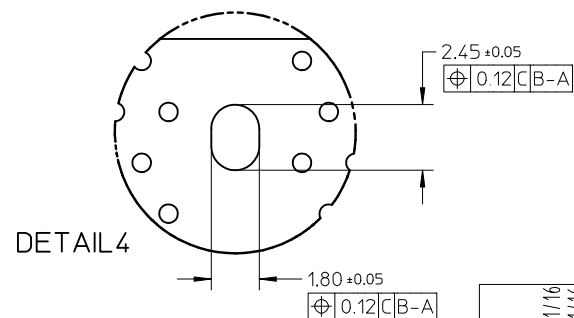
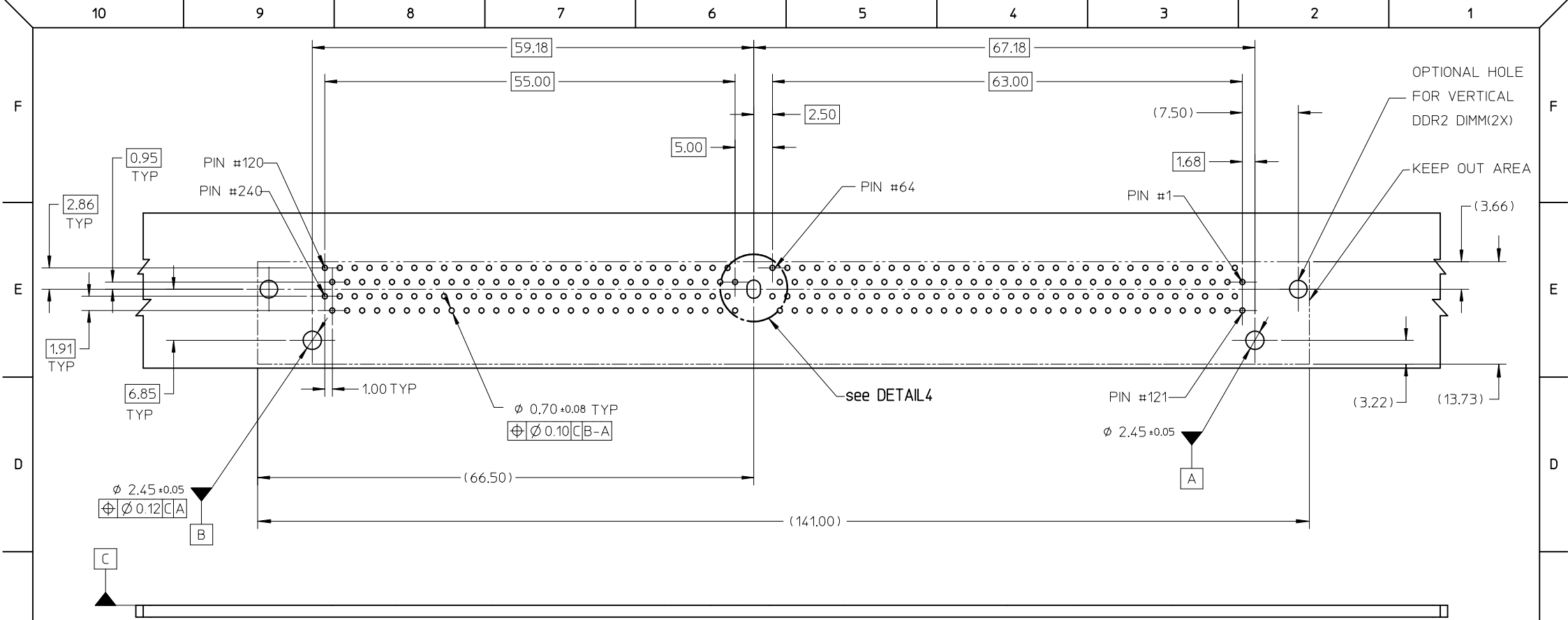
ADDED OPTION EC NO: S2010-0393 DRWN:CCTEH 2009/11/16 CHKD:CGTAN 2009/11/16 APPR:SHLENI 2009/11/17	QUALITY SYMBOLS $F_A=0$ $F_E=0$ $F_P=0$	GENERAL TOLERANCES (UNLESS SPECIFIED)		DIMENSION STYLE MM ONLY		SCALE NTS	DESIGN UNITS METRIC	THIRD ANGLE PROJECTION		
			mm	INCH	DRAWN BY JTAN	DATE 2004/05/26	TITLE DDR2 DIMM, 1.00MM PITCH 240 CKTS, 25 DEG. REVERSE ANGLE			
		4 PLACES	± ---	± ---	CHECKED BY MLONG	DATE 2004/06/11	MOLEX INCORPORATED			
		3 PLACES	± ---	± ---	APPROVED BY GGLLEE	DATE 2004/06/11	MATERIAL NO. SEE TABLE	DOCUMENT NO. SD-87919-001	SHEET NO. 2 OF 6	
			1 PLACE	± ---	± ---	THIS DRAWING CONTAINS INFORMATION THAT IS PROPRIETARY TO MOLEX INCORPORATED AND SHOULD NOT BE USED WITHOUT WRITTEN PERMISSION				
		ANGULAR ± 5 °		DRAFT WHERE APPLICABLE MUST REMAIN WITHIN DIMENSIONS						



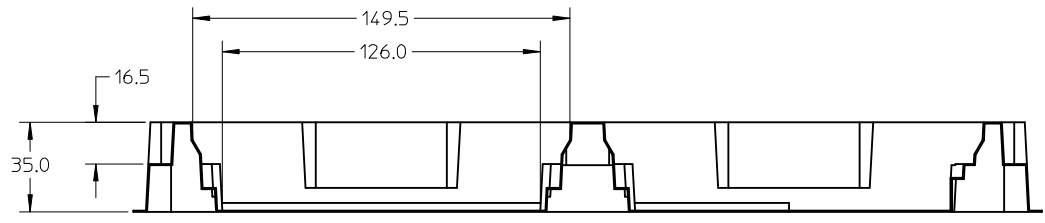
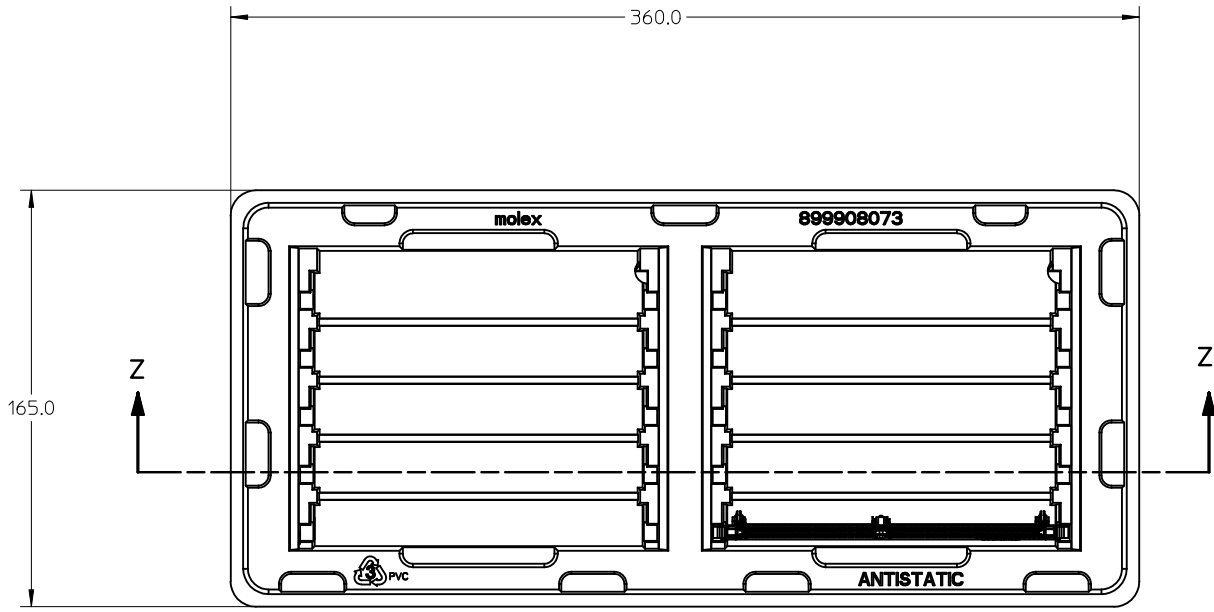
KEY LOCATION	VOLTAGE	DIM 'X'	DIM 'Y'
CENTER	1.8V	2.50	4.00

NOTES :  
 1 MODULE CARD USED IN PRODUCT TESTING ARE CHAMFERED.

ADDED OPTION EC NO: S2010-0393 DRWN: CCTH 2009/11/16 CHKD: CGTAN 2009/11/16 APPR: SILENI 2009/11/17	QUALITY SYMBOLS $F_A=0$ $F_C=0$ $F_P=0$	GENERAL TOLERANCES (UNLESS SPECIFIED)		DIMENSION STYLE <b>MM ONLY</b>		SCALE NTS	DESIGN UNITS METRIC	THIRD ANGLE PROJECTION	
		mm	INCH	DRAWN BY JTAN	DATE 2004/05/26	TITLE DDR2 DIMM, 1.00MM PITCH 240 CKTS, 25 DEG. REVERSE ANGLE			
		4 PLACES ± ---	± ---	CHECKED BY MLONG	DATE 2004/06/11	MOLEX INCORPORATED			
		3 PLACES ± ---	± ---	APPROVED BY GGLEE	DATE 2004/06/11	MATERIAL NO. SEE TABLE	DOCUMENT NO. SD-87919-001	SHEET NO. 3 OF 6	
DRAFT WHERE APPLICABLE MUST REMAIN WITHIN DIMENSIONS		ANGULAR ± 5 °		THIS DRAWING CONTAINS INFORMATION THAT IS PROPRIETARY TO MOLEX INCORPORATED AND SHOULD NOT BE USED WITHOUT WRITTEN PERMISSION					



ADDED OPTION EC NO: S2010-0393 DRWN: CCTH CH'KD: CGTAN APPR: SLENI	2009/11/16 2009/11/16 2009/11/17	DESCRIPTION A7	QUALITY SYMBOLS	GENERAL TOLERANCES (UNLESS SPECIFIED) mm    INCH 4 PLACES ± --- ± --- 3 PLACES ± --- ± --- 2 PLACES ± 0.25 ± --- 1 PLACE ± --- ± --- ANGULAR ± 5 °	DIMENSION STYLE		SCALE	DESIGN UNITS	THIRD ANGLE PROJECTION
					MM ONLY		NTS	METRIC	
					DRAWN BY	DATE	TITLE		
					CHECKED BY	DATE	DDR2 DIMM, 1.00MM PITCH 240 CKTS, 25 DEG. REVERSE ANGLE		
				APPROVED BY	DATE	MOLEX INCORPORATED			
				GGLEE	2004/06/11	MATERIAL NO.    DOCUMENT NO.			
				DRAFT WHERE APPLICABLE MUST REMAIN WITHIN DIMENSIONS		SEE TABLE    SD-87919-001		SHEET NO. 4 OF 6	
					SIZE A3	THIS DRAWING CONTAINS INFORMATION THAT IS PROPRIETARY TO MOLEX INCORPORATED AND SHOULD NOT BE USED WITHOUT WRITTEN PERMISSION			



SECTION Z-Z

NOTE:  
1. CAVITY QTY : 2 X 5 = 10

ADDED OPTION EC NO: S2010-0393 DRWN:CCTEH 2009/11/16 CHKD:CGTAN 2009/11/16 APPR:SHLENI 2009/11/17	QUALITY SYMBOLS $F_A=0$ $F_C=0$ $F_P=0$	GENERAL TOLERANCES (UNLESS SPECIFIED)		DIMENSION STYLE MM ONLY		SCALE NTS	DESIGN UNITS METRIC	THIRD ANGLE PROJECTION		
			mm	INCH	DRAWN BY JTAN	DATE 2004/05/26	TITLE DDR2 DIMM, 1.00MM PITCH 240 CKTS, 25 DEG. REVERSE ANGLE			
		4 PLACES	±---	±---	CHECKED BY MLONG	DATE 2004/06/11				
			mm	INCH	APPROVED BY GGLEE	DATE 2004/06/11	DOCUMENT NO. SD-87919-001		SHEET NO. 5 OF 6	
	ANGULAR ± 5 °		MATERIAL NO. SEE TABLE		THIS DRAWING CONTAINS INFORMATION THAT IS PROPRIETARY TO MOLEX INCORPORATED AND SHOULD NOT BE USED WITHOUT WRITTEN PERMISSION					
DRAFT WHERE APPLICABLE MUST REMAIN WITHIN DIMENSIONS										

10

9

8

7

6

5

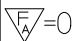
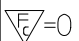
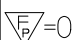
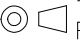

4

3

2

1

PART NO.	VOLTAGE KEY	DIM 'P'	DIM 'Q'	RECOMMENDED PCB THICKNESS	CONTACT AREA PLATING	SOLDERTAIL PLATING	LATCH COLOR
87919-0001	1.8V	2.79	3.18	1.57	0.76μM/ 30μ" GOLD OVER 1.27μM/ 50μ" MIN NICKEL	2.54μM/ 100μ" MIN. TIN OVER 1.27μM/ 50μ" MIN NICKEL	NATURAL
87919-0011		3.18	4.83	2.36			
87919-1001		4.00		3.18			
87919-1002		4.60	3.50				
87919-0101		2.79	3.18	1.57	0.38μM/ 15μ" GOLD OVER 1.27μM/ 50μ" MIN NICKEL		
87919-0111		3.18	4.83	2.36			
87919-0333							BLACK

<b>ADDED OPTION</b> EC NO: S2010-0393 DRWN:CTEH 2009/11/16 CHKD:CGTAN 2009/11/16 APPR:SHLENI 2009/11/17	QUALITY SYMBOLS   	GENERAL TOLERANCES (UNLESS SPECIFIED)		DIMENSION STYLE <b>MM ONLY</b>		SCALE NTS	DESIGN UNITS METRIC	 THIRD ANGLE PROJECTION		
			mm	INCH	DRAWN BY	DATE	TITLE <b>DDR2 DIMM, 1.00MM PITCH          240 CKTS, 25 DEG.          REVERSE ANGLE</b>			
		4 PLACES	± ---	± ---	JTAN	2004/05/26				
		3 PLACES	± ---	± ---	CHECKED BY	DATE				
	± 0.25	± ---	MLONG	2004/06/11	APPROVED BY  <b>MOLEX INCORPORATED</b>					
1 PLACE	± ---	± ---	GGLEE	2004/06/11						
ANGULAR ± 5 °		DRAFT WHERE APPLICABLE MUST REMAIN WITHIN DIMENSIONS		SEE TABLE		DOCUMENT NO.		SHEET NO.		
				SIZE A3		THIS DRAWING CONTAINS INFORMATION THAT IS PROPRIETARY TO MOLEX INCORPORATED AND SHOULD NOT BE USED WITHOUT WRITTEN PERMISSION				

9

8

7

6

5

4

3

2

1