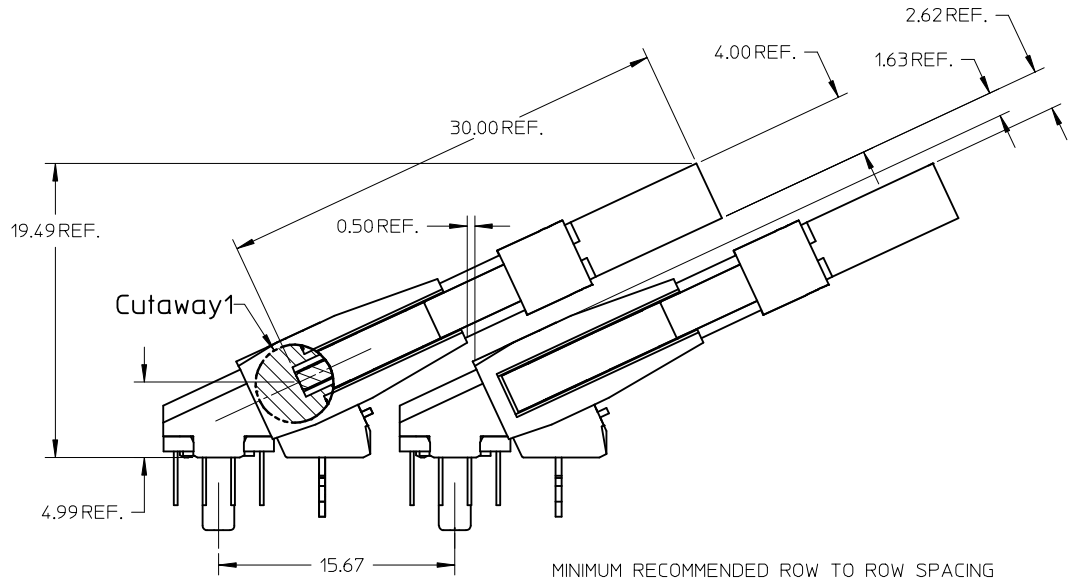


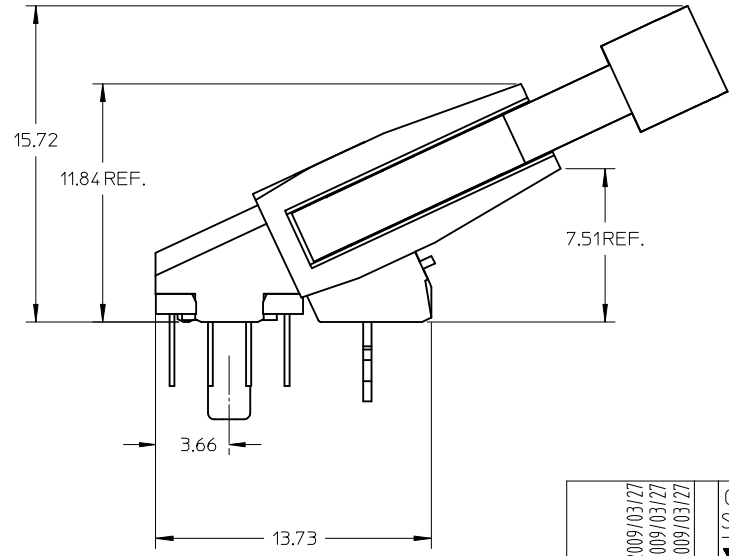
NOTES:

- MATERIALS : HOUSING AND BASEPLATE
 - LCP, GLASS FILLED, UL 94V-0, BLACK LATCH
 - HIGH TEMP. NYLON, GLASS FILLED, UL 94-0, NATURAL (OFF WHITE) TERMINALS AND FORKLICK - COPPER ALLOY
- PLATING : CONTACT AREA - SEE TABLE IN SHEET 5
SOLDERTAIL - SEE TABLE IN SHEET 5
- REFER TO PRODUCT SPECIFICATION, PS-87803-003 FOR PERFORMANCE SPECIFICATIONS.
- CARD SLOTS ACCEPTS 1.27±0.10 MM MODULE THICKNESS. (MEASURED OVER PC PADS)
- RECOMMENDED MODULE CARD LAYOUT SHALL BE AS PER JEDEC MO-237.
- PRODUCT IS PACKED IN TRAY.
- MOLEX LOGO, DATE CODE AND PART NUMBER INDICATED ON HOUSING.
- CONTACT MOLEX FOR AVAILABILITY OF PRODUCT OPTIONS.

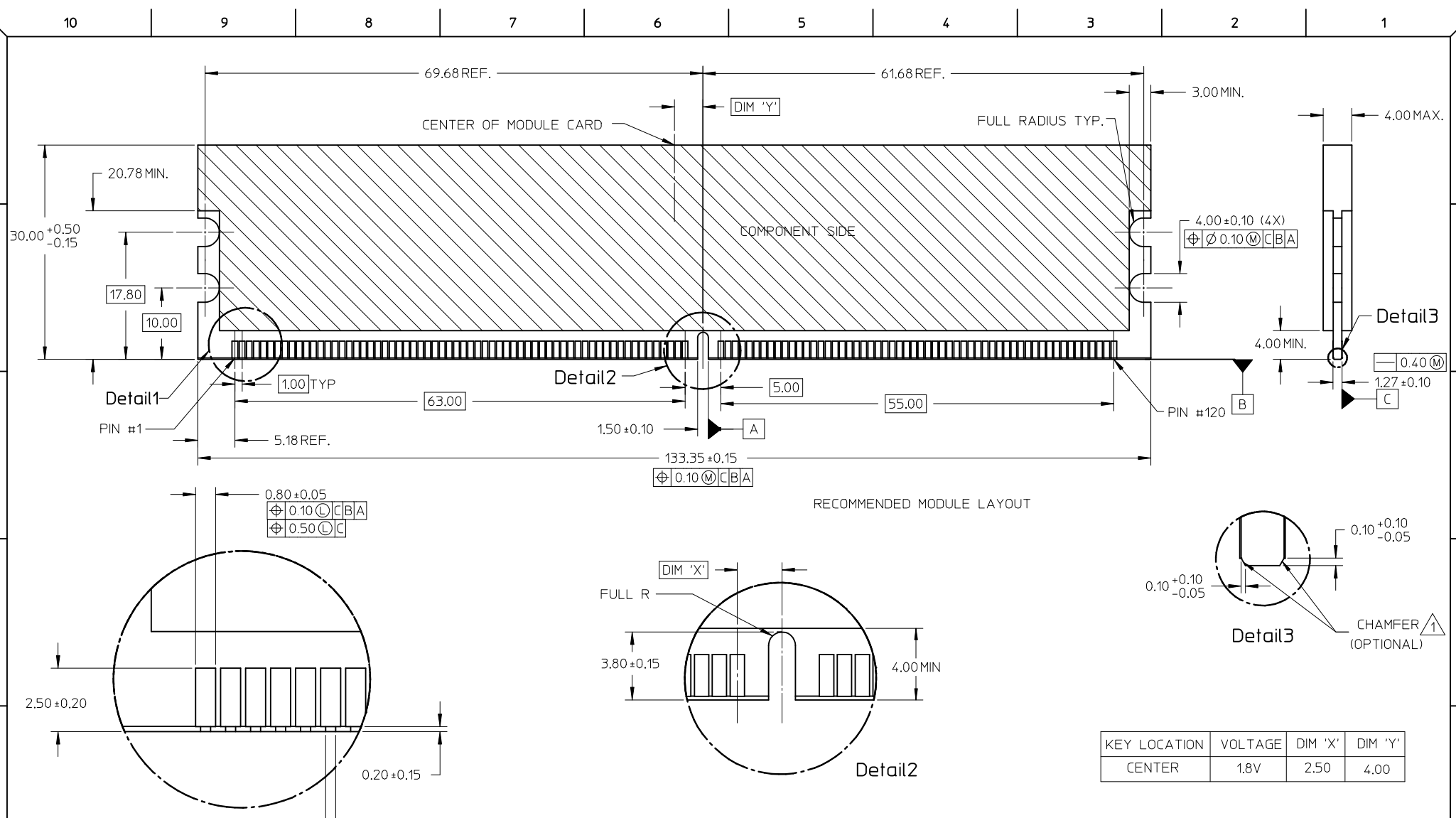
| | | | | | | | | |
|--|--|--|------------|---|------------|--|------------------------|--|
| ADDED OPTION EC NO: S2009-0629 DRW: CCTEH CHKD: CGTAN APPR: SHLENI 2009/03/27 2009/03/27 2009/03/27 | DESCRIPTION QUALITY SYMBOLS ▽=0 ◻=0 | GENERAL TOLERANCES (UNLESS SPECIFIED) | | DIMENSION STYLE | SCALE | DESIGN UNITS | THIRD ANGLE PROJECTION | |
| | | | | MM ONLY | NTS | METRIC | | |
| | | | | DRAWN BY | DATE | TITLE | | |
| | | | | MLONG | 2004/03/25 | DDR2 DIMM, 1.00MM PITCH 240 CKTS, 25 DEG. | | |
| | | CHECKED BY | DATE | MOLEX INCORPORATED DOCUMENT NO. SD-87803-010 SHEET NO. 1 OF 5 | | | | |
| | | SRRAMESH | 2004/03/26 | | | | | |
| | | APPROVED BY | DATE | THIS DRAWING CONTAINS INFORMATION THAT IS PROPRIETARY TO MOLEX INCORPORATED AND SHOULD NOT BE USED WITHOUT WRITTEN PERMISSION | | | | |
| | | GGLEE | 2004/03/26 | | | | | |
| | | ANGULAR ± 5 ° | | | | | | |
| | | DRAFT WHERE APPLICABLE MUST REMAIN WITHIN DIMENSIONS | | SIZE | | | | |
| | | | | A3 | | | | |



MINIMUM RECOMMENDED ROW TO ROW SPACING
WHEN USING A 4.00MM THICK
MODULE (TYPICAL TSOP PACKAGING)



| | | | | | | | | | | |
|---|--|---------------------------------------|------------|----------------------------|---|--------------------|-------------------------|------------------------|--|--|
| ADDED OPTION EC NO: S2009-0629 DRWN: CCTEH 2009/03/27 CH'KD: GGTAN 2009/03/27 APPR: SHLENI 2009/03/27 | QUALITY SYMBOLS ▽=0 ▽=0 | GENERAL TOLERANCES (UNLESS SPECIFIED) | | DIMENSION STYLE MM ONLY | | SCALE NTS | DESIGN UNITS METRIC | THIRD ANGLE PROJECTION | | |
| | | | mm | INCH | DRAWN BY | DATE | TITLE | | | |
| | | 4 PLACES | ± --- | ± --- | MLONG | 2004/03/25 | DDR2 DIMM, 1.00MM PITCH | | | |
| | | 3 PLACES | ± --- | ± --- | CHECKED BY | DATE | 240 CKTS, 25 DEG. | | | |
| | 2 PLACES | ± 0.25 | ± --- | SRRAMESH | 2004/03/26 | MOLEX INCORPORATED | | | | |
| | 1 PLACE | ± --- | ± --- | APPROVED BY | DATE | | | | | |
| | ANGULAR ± 5 ° | | GGLLEE | | 2004/03/26 | MATERIAL NO. | | DOCUMENT NO. | | |
| | DRAFT WHERE APPLICABLE MUST REMAIN WITHIN DIMENSIONS | | SEE TABLE | | SD-87803-010 | | SHEET NO. | | | |
| B1 | | | SIZE A3 | | THIS DRAWING CONTAINS INFORMATION THAT IS PROPRIETARY TO MOLEX INCORPORATED AND SHOULD NOT BE USED WITHOUT WRITTEN PERMISSION | | | | | |



| KEY LOCATION | VOLTAGE | DIM 'X' | DIM 'Y' |
|--------------|---------|---------|---------|
| CENTER | 1.8V | 2.50 | 4.00 |

NOTES :
 1 MODULE CARD USED IN PRODUCT TESTING ARE CHAMFERED.

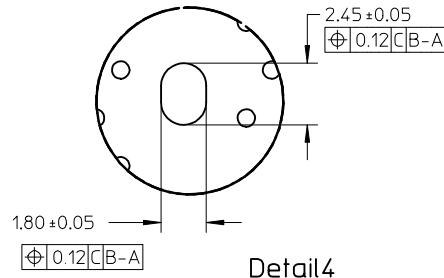
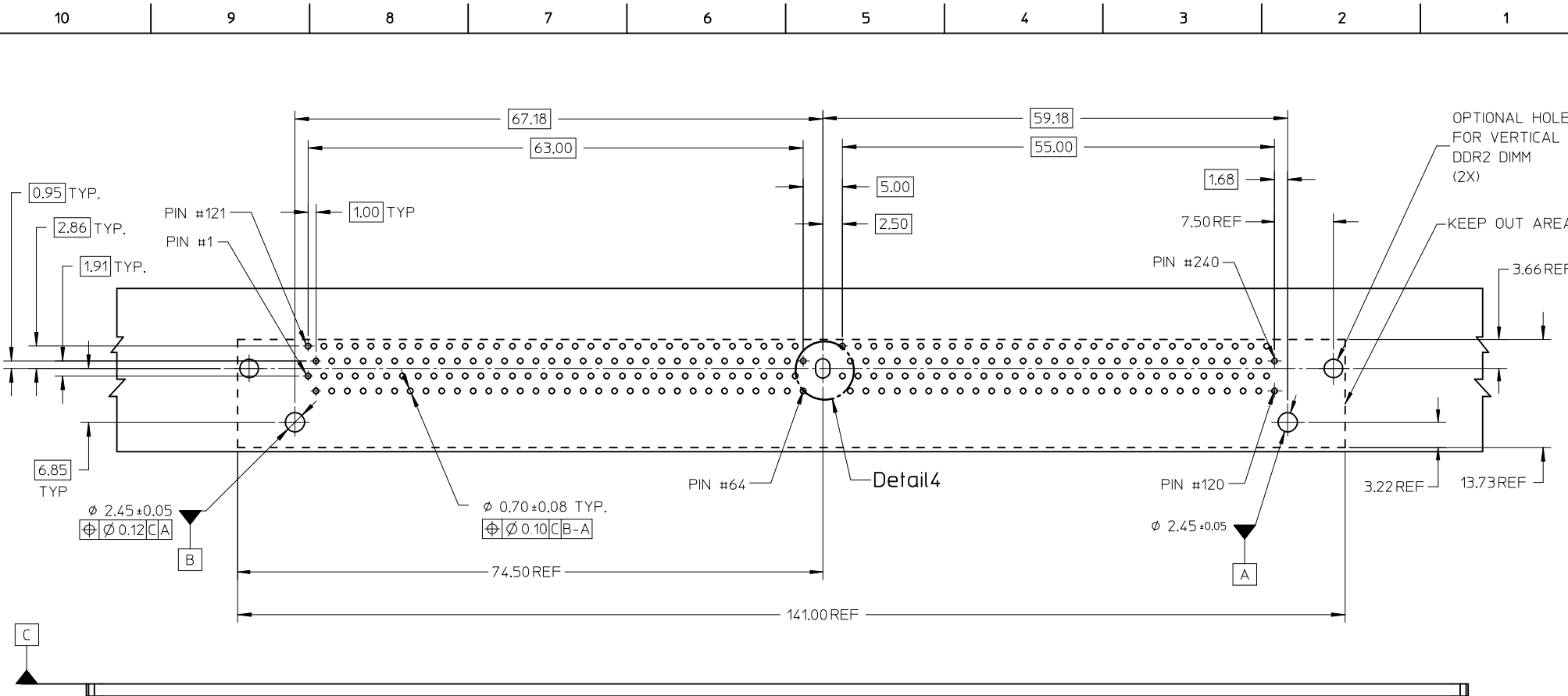
ADDED OPTION
 EC NO: S2009-0629
 DRW:NCCTEH
 CHKD:CGTAN
 APPR:SHLENI

| REV | DESCRIPTION |
|-----|-------------|
| B1 | |

| QUALITY SYMBOLS | GENERAL TOLERANCES (UNLESS SPECIFIED) | |
|-----------------|--|------|
| | mm | INCH |
| ▽=0 | 4 PLACES ±--- | ±--- |
| ∇=0 | 3 PLACES ±--- | ±--- |
| | 2 PLACES ±0.25 | ±--- |
| | 1 PLACE ±--- | ±--- |
| | ANGULAR ± 5 ° | |
| | DRAFT WHERE APPLICABLE MUST REMAIN WITHIN DIMENSIONS | |

| DIMENSION STYLE | |
|-----------------|------------|
| MM ONLY | |
| DRAWN BY | DATE |
| MLONG | 2004/03/25 |
| CHECKED BY | DATE |
| SRRAMESH | 2004/03/26 |
| APPROVED BY | DATE |
| GGLEE | 2004/03/26 |
| MATERIAL NO. | |
| SEE TABLE | |

| SCALE | DESIGN UNITS | THIRD ANGLE PROJECTION |
|---|--------------|------------------------|
| NTS | METRIC | ☉ |
| TITLE | | |
| DDR2 DIMM, 1.00MM PITCH 240 CKTS, 25 DEG. | | |
| MOLEX INCORPORATED | | SHEET NO. |
| DOCUMENT NO. SD-87803-010 | | 3 OF 5 |
| THIS DRAWING CONTAINS INFORMATION THAT IS PROPRIETARY TO MOLEX INCORPORATED AND SHOULD NOT BE USED WITHOUT WRITTEN PERMISSION | | |



| | | | | | | | | | |
|--|--|--|---------------------------------------|---|--|--------------|------------------------------------|------------------------|--|
| ADDED OPTION EC NO: S2009-0629 DRWN: CCTEH CHKD: CGTAN APPR: SHLENI | 2009/03/27 2009/03/27 2009/03/27 | QUALITY SYMBOLS | GENERAL TOLERANCES (UNLESS SPECIFIED) | | DIMENSION STYLE | SCALE | DESIGN UNITS | THIRD ANGLE PROJECTION | |
| | | $\nabla = 0$ $\nabla C = 0$ | mm | INCH | MM ONLY | NTS | METRIC | | |
| | | 4 PLACES ± --- ± --- 3 PLACES ± --- ± --- 2 PLACES ± 0.25 ± --- 1 PLACE ± --- ± --- | DRAWN BY DATE | | TITLE | | MOLEX INCORPORATED SD-87803-010 | | |
| | | ANGULAR ± 5 ° | MLONG 2004/03/25 | | DDR2 DIMM, 1.00MM PITCH 240 CKTS, 25 DEG. | | | | |
| DRAFT WHERE APPLICABLE MUST REMAIN WITHIN DIMENSIONS | B1 | MATERIAL NO. | | APPROVED BY DATE | | DOCUMENT NO. | | SHEET NO. | |
| | | SEE TABLE | | GGLLEE 2004/03/26 | | SD-87803-010 | | 4 OF 5 | |
| | | SIZE | | THIS DRAWING CONTAINS INFORMATION THAT IS PROPRIETARY TO MOLEX INCORPORATED AND SHOULD NOT BE USED WITHOUT WRITTEN PERMISSION | | | | | |
| | | A3 | | | | | | | |

F

E

D

C

B

A

| PART NO. | VOLTAGE KEY | DIM 'P' | DIM 'Q' | RECOMMENDED PCB THICKNESS | CONTACT AREA PLATING | SOLDERTAIL PLATING | LUBRICATION | |
|------------|-------------|---------|---------|---------------------------|---|--|-------------|-----|
| 87803-0002 | 1.8V | 2.79 | 3.18 | 1.57 | 0.38uM/ 15u" GOLD OVER 1.27uM/ 50u" MIN NICKEL | 2.54uM/ 100u" MIN. TIN (MATTE) OVER 1.27uM/ 50u" MIN NICKEL | NO | |
| 87803-0022 | | | | | | | YES | |
| 87803-0012 | | 3.18 | 4.83 | 2.36 | | | NO | |
| 87803-0032 | | | | | | | YES | |
| 87803-0052 | | 4.00 | 3.18 | NO | | | | |
| 87803-0062 | | | | YES | | | | |
| 87803-0102 | | 2.79 | 3.18 | 1.57 | NO | | | |
| 87803-0122 | | | | | YES | | | |
| 87803-0112 | | 3.18 | 4.83 | 2.36 | 0.76uM/ 30u" GOLD OVER 1.27uM/ 50u" MIN NICKEL | NO | | |
| 87803-0132 | | | | | | YES | | |
| 87803-0152 | | | | | | 4.00 | 3.18 | NO |
| 87803-0162 | | | | | | | | YES |

| | | | | | | |
|--|-----------------|---|---|-----------|--|------------------------|
| ADDED OPTION EC NO: S2009-0629 DRWN: CCTE CH'KD: GTAN APPR: SILENI 2009/03/27 2009/03/27 2009/03/27 | QUALITY SYMBOLS | GENERAL TOLERANCES (UNLESS SPECIFIED) | DIMENSION STYLE | SCALE | DESIGN UNITS | THIRD ANGLE PROJECTION |
| | ▼=0 ◻=0 | mm INCH 4 PLACES ± --- ± --- 3 PLACES ± --- ± --- 2 PLACES ± 0.25 ± --- 1 PLACE ± --- ± --- ANGULAR ± 5 ° | MM ONLY | NTS | METRIC | |
| | DESCRIPTION | DRAFT WHERE APPLICABLE MUST REMAIN WITHIN DIMENSIONS | DRAWN BY: MLONG DATE: 2004/03/25 CHECKED BY: SRRAMESH DATE: 2004/03/26 APPROVED BY: GGLEE DATE: 2004/03/26 | TITLE | DDR2 DIMM, 1.00MM PITCH 240 CKTS, 25 DEG. | |
| | REV | | MATERIAL NO. | SEE TABLE | DOCUMENT NO. | SD-87803-010 |

F

E

D

C

B

A