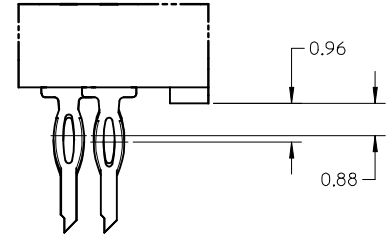


NOTES:

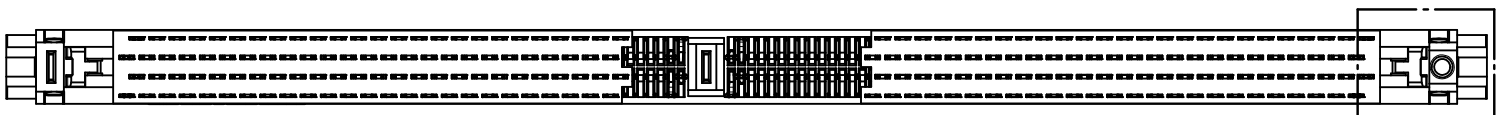
- MATERIALS  
HOUSING - HIGH TEMP. NYLON, GLASS-FILLED, UL 94V-0.  
LATCH - HIGH TEMP. NYLON, GLASS-FILLED, UL 94V-0 - NATURAL  
POLYSULFONE, UL 94HB - CLEAR  
(COLOUR OF THE HOUSING AND LATCHES REFER TO TABLE ON SHEET 5 & 6).  
TERMINAL - PHOSPHOR BRONZE
- FINISHES - CONTACT AREA - SEE TABLE IN SHEET 5.  
TAIL AREA - 15µIN(0.38µM) TO 60µIN(1.52µM) MIN.  
TIN OVER 50µIN(1.27µM) MIN. NICKEL.
- REFER TO PRODUCT SPEC. PS-87746-002 FOR PERFORMANCE SPECIFICATIONS.
- PRODUCT SHALL BE PACKED IN TRAY.
- CARD SLOT ACCEPTS 1.27±0.10 MM MODULE THICKNESS. (MEASURED OVER P.C. PADS)
- RECOMMENDED MODULE LAYOUT SHALL BE AS PER JEDEC MO-237.
- RECOMMENDED PLATING ON MODULE PADS: 30µIN(0.76µM) MIN. HARD GOLD OVER 79µIN(2µM) MIN. NICKEL.
- DIMM MODULE SEATING PLANE FROM TOP OF PCB.
- PART NUMBER SHALL BE MARKED LEGIBLY AS : 87746 XXXX
- DATE CODE SHALL BE MARKED LEGIBLY AS SHOWN : YYDDD
- KEEP OUT CROSS HATCHED ARE RESERVED FOR SOCKET EJECTORS AT BOTH ENDS.
- KEEP OUT ZONE IS HEIGHT LIMITED PER 11.



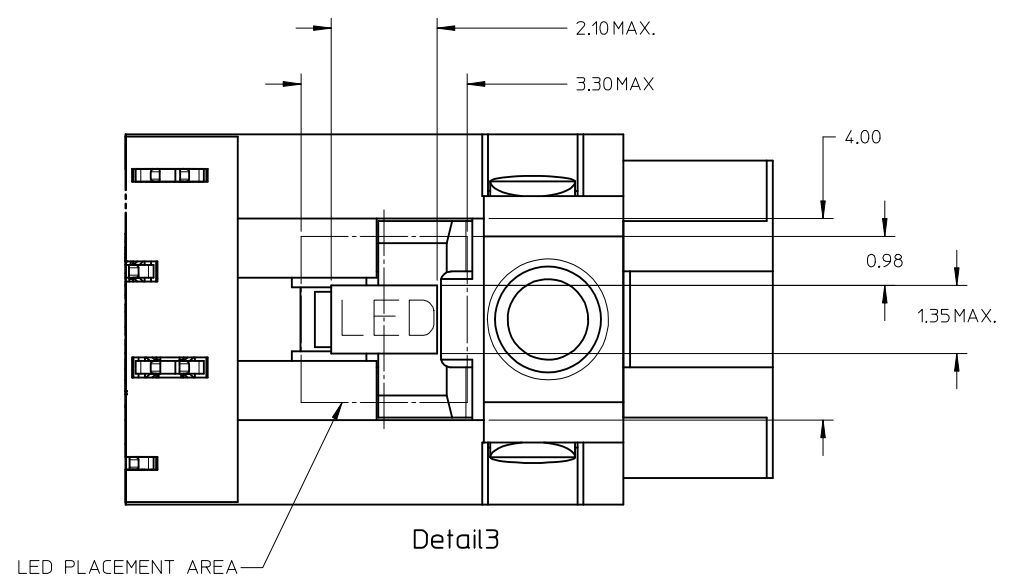
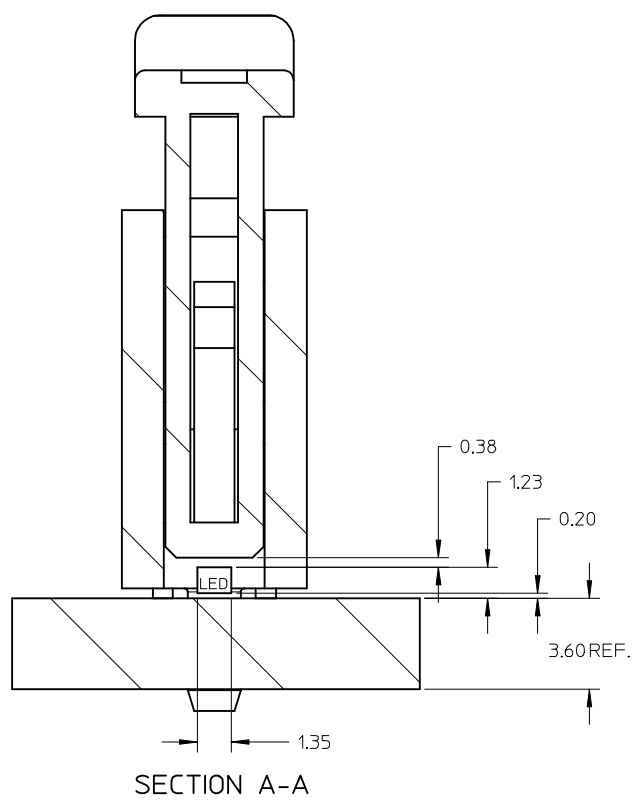
Detail5

OBS DOC & P/N EC NO: S2014-0372 DRWN:SKANG CHKD:MLONG APPR:MLONG	2014/01/07 2014/01/15 2014/01/15	DESCRIPTION	QUALITY SYMBOLS	GENERAL TOLERANCES (UNLESS SPECIFIED)	DIMENSION STYLE	SCALE	DESIGN UNITS	THIRD ANGLE PROJECTION	
			▽=0 ∇=0	mm INCH	MM ONLY	NTS	METRIC		
				4 PLACES ± --- ± --- 3 PLACES ± --- ± --- 2 PLACES ± 0.20 ± --- 1 PLACE ± --- ± ---	DRAWN BY DATE CGOH 2002/06/13	TITLE	DDR2 DIMM, 100MM PITCH 240 CKTS, VERT. PRESSFIT		
				ANGULAR ± 5 °	CHECKED BY DATE DSOH 2002/08/07	APPROVED BY DATE SKTOH 2002/08/08	MOLEX MOLEX INCORPORATED		
			DRAFT WHERE APPLICABLE MUST REMAIN WITHIN DIMENSIONS	SIZE	MATERIAL NO.	DOCUMENT NO.	SHEET NO.		
				A3	SEE TABLE	SD-87746-001	1 OF 5		
THIS DRAWING CONTAINS INFORMATION THAT IS PROPRIETARY TO MOLEX INCORPORATED AND SHOULD NOT BE USED WITHOUT WRITTEN PERMISSION									

10 9 8 7 6 5 4 3 2 1



Detail3

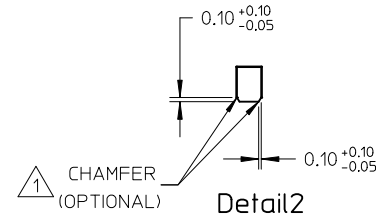
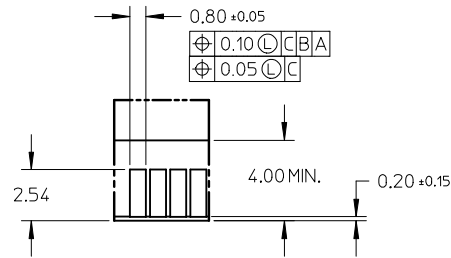
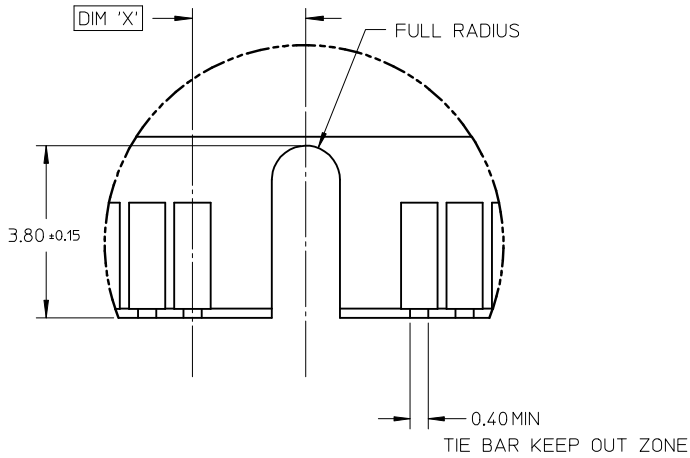
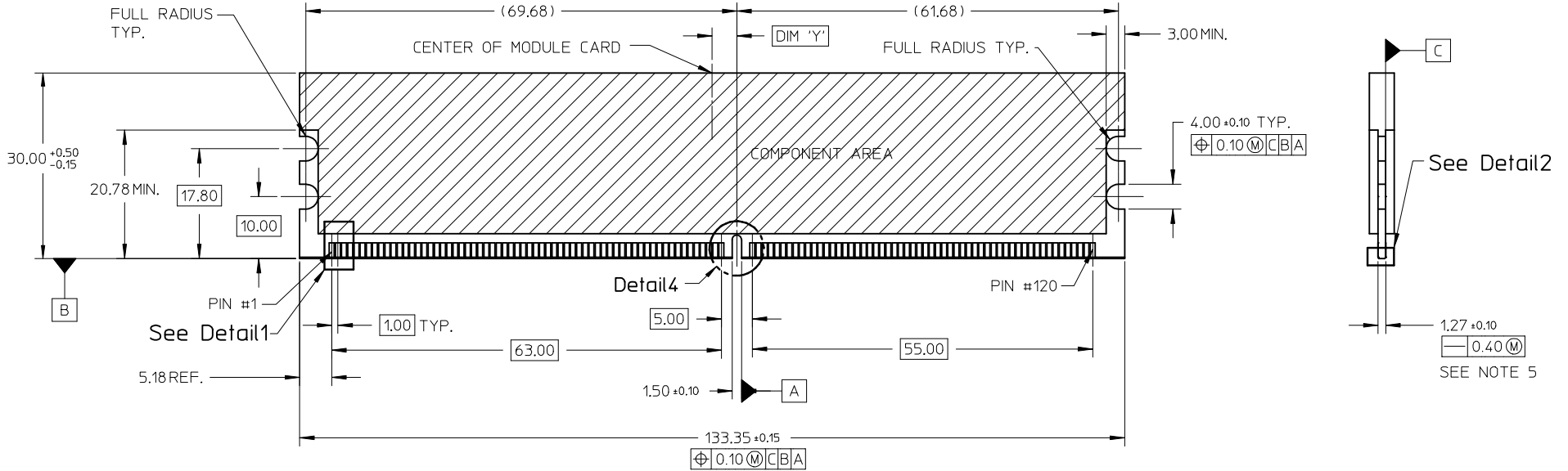


<b>OBS DOC &amp; P/N</b> EC NO: S2014-0372 DRWN:SKANG 2014/01/07 CHKD:MLONG 2014/01/15 APPR:MLONG 2014/01/15	QUALITY SYMBOLS ▽=0 ∇=0	GENERAL TOLERANCES (UNLESS SPECIFIED)		DIMENSION STYLE <b>MM ONLY</b>	SCALE NTS	DESIGN UNITS METRIC	THIRD ANGLE PROJECTION		
		4 PLACES ± --- ± --- 3 PLACES ± --- ± --- 2 PLACES ± 0.20 ± --- 1 PLACE ± --- ± ---	mm INCH	DRAWN BY CGOH DATE 2002/06/13 CHECKED BY DSOH DATE 2002/08/07 APPROVED BY SKTOH DATE 2002/08/08	TITLE <b>DDR2 DIMM, 100MM PITCH                  240 CKTS, VERT. PRESSFIT</b>				
		ANGULAR ± 5 °	DRAFT WHERE APPLICABLE MUST REMAIN WITHIN DIMENSIONS		MATERIAL NO. <b>SEE TABLE</b>	MOLEX INCORPORATED DOCUMENT NO. SD-87746-001		SHEET NO. 2 OF 5	
					SIZE A3		THIS DRAWING CONTAINS INFORMATION THAT IS PROPRIETARY TO MOLEX INCORPORATED AND SHOULD NOT BE USED WITHOUT WRITTEN PERMISSION		

9 8 7 6 5 4 3 2 1

10 9 8 7 6 5 4 3 2 1

RECOMMENDED MODULE LAYOUT



KEY LOCATION	VOLTAGE	DIM 'X'	DIM 'Y'
CENTER	1.8V	2.50	4.00

Detail4

Detail1

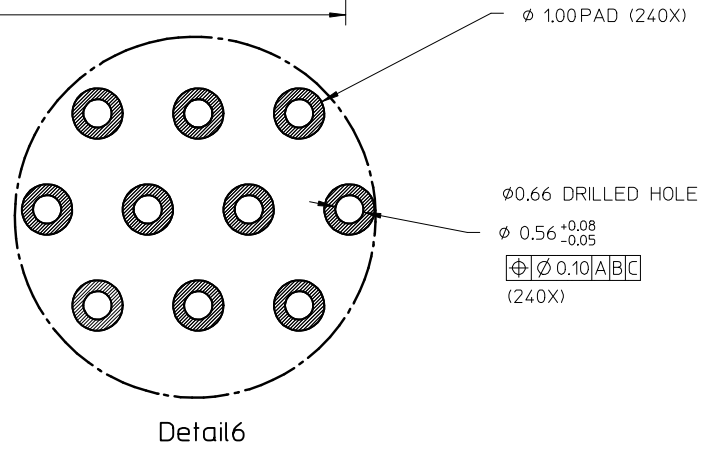
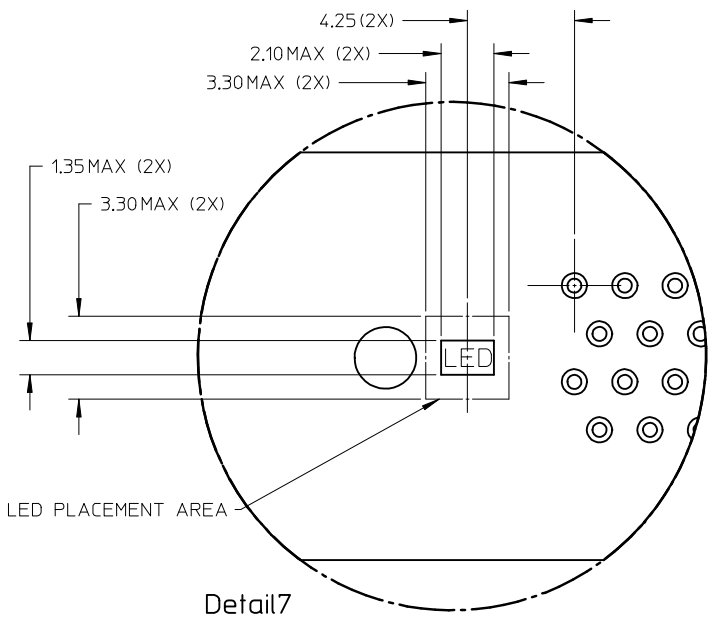
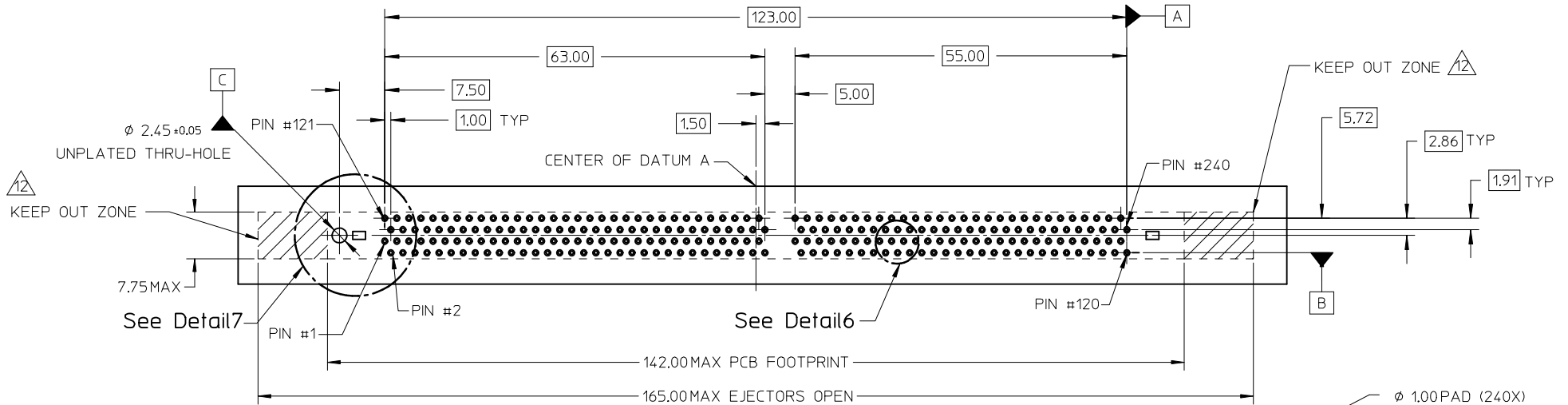
Detail2

NOTES :  
 1 MODULE CARD USED IN PRODUCT TESTING ARE CHAMFERED.

OBS DOC & P/N EC NO: S2014-0372 DRWN:SKANG CHKD:MLONG APPR:MLONG	REV DESCRIPTION	QUALITY SYMBOLS ▽=0 C=0	GENERAL TOLERANCES (UNLESS SPECIFIED)		DIMENSION STYLE MM ONLY	SCALE NTS	DESIGN UNITS METRIC	THIRD ANGLE PROJECTION		
			mm	INCH	DRAWN BY CGOH	DATE 2002/06/13	TITLE DDR2 DIMM, 100MM PITCH 240 CKTS, VERT. PRESSFIT			
			4 PLACES ± --- ± ---	3 PLACES ± --- ± ---	CHECKED BY DSOH	DATE 2002/08/07	MATERIAL NO. SD-87746-001			
			2 PLACES ± 0.20 ± ---	1 PLACE ± --- ± ---	APPROVED BY SKTOH	DATE 2002/08/08	SHEET NO. 3 OF 5			
		ANGULAR ± 5 °	DRAFT WHERE APPLICABLE MUST REMAIN WITHIN DIMENSIONS		SIZE A3	THIS DRAWING CONTAINS INFORMATION THAT IS PROPRIETARY TO MOLEX INCORPORATED AND SHOULD NOT BE USED WITHOUT WRITTEN PERMISSION				

9 8 7 6 5 4 3 2 1

RECOMMENDED PCB HOLE PATTERN  
SEE TABLE IN SHEET 5 FOR  
RECOMMENDED PCB THICKNESS



OBS DOC & P/N EC NO: S2014-0372 DRWN:SKANG CHKD:MLONG APPR:MLONG	2014/01/07	QUALITY SYMBOLS ▽=0 ⊕=0	GENERAL TOLERANCES (UNLESS SPECIFIED)		DIMENSION STYLE MM ONLY		SCALE NTS	DESIGN UNITS METRIC	THIRD ANGLE PROJECTION	
	2014/01/15		mm	INCH	DRAWN BY CGOH	DATE 2002/06/13	TITLE DDR2 DIMM, 100MM PITCH 240 CKTS, VERT. PRESSFIT			
	2014/01/15		4 PLACES ± --- ± ---	3 PLACES ± --- ± ---	CHECKED BY DSOH	DATE 2002/08/07	MATERIAL NO. SKTOH			
	2014/01/15		2 PLACES ± 0.20 ± ---	1 PLACE ± --- ± ---	APPROVED BY SKTOH	DATE 2002/08/08	DOCUMENT NO. SD-87746-001			
ANGULAR ± 5 °			DRAFT WHERE APPLICABLE MUST REMAIN WITHIN DIMENSIONS		SEE TABLE		MOLEX INCORPORATED		SHEET NO. 4 OF 5	
REV			SIZE A3		THIS DRAWING CONTAINS INFORMATION THAT IS PROPRIETARY TO MOLEX INCORPORATED AND SHOULD NOT BE USED WITHOUT WRITTEN PERMISSION					

PART NO.	VOLTAGE KEY POS.	VOLTAGE KEY TEXT	TAIL LENGTH P±0.20	RECOMMENDED PCB THICKNESS	LUBRICATION	PLATING OPTION	LATCH COLOR	HOUSING COLOR
87746-8001	CENTER	1.8V	4.20	4.57	NO	SELECTIVE GOLD 0.38µM/ 15µIN MIN. GOLD OVER 1.27µM/ 50µIN MIN. NICKEL	NATURAL (OFF WHITE)	BLACK
87746-9001			3.30	3.60				
87746-9011	CENTER	1.8V	3.30	3.60	NO	SELECTIVE GOLD 0.76µM/ 30µIN MIN. GOLD OVER 1.27µM/ 50µIN MIN. NICKEL	CLEAR	
87746-8091	CENTER	1.8V	4.20	4.57	YES			
87746-9091			3.30	3.60				
87746-5201	CENTER	1.8V	4.20	4.57	NO	SELECTIVE GOLD 0.38µM/ 15µIN MIN. GOLD OVER 1.27µM/ 50µIN MIN. NICKEL	CLEAR	
87746-5301			3.30	3.60				
87746-5211	CENTER	1.8V	4.20	4.57	NO	SELECTIVE GOLD 0.76µM/ 30µIN MIN. GOLD OVER 1.27µM/ 50µIN MIN. NICKEL	CLEAR	
87746-5311			3.30	3.60				
87746-5291	CENTER	1.8V	4.20	4.57	YES	SELECTIVE GOLD 0.76µM/ 30µIN MIN. GOLD OVER 1.27µM/ 50µIN MIN. NICKEL	CLEAR	
87746-5391			3.30	3.60				
87746-5381			3.30	3.60				

OBS DOC & P/N EC NO: S2014-0372 DRWN:SKANG 2014/01/07 CHKD:MLONG 2014/01/15 APPR:MLONG 2014/01/15	DESCRIPTION REV	QUALITY SYMBOLS	GENERAL TOLERANCES (UNLESS SPECIFIED)	DIMENSION STYLE	SCALE	DESIGN UNITS	THIRD ANGLE PROJECTION
		▽=0 ◻=0	mm INCH	MM ONLY	NTS	METRIC	DDR2 DIMM, 100MM PITCH 240 CKTS, VERT. PRESSFIT  MOLEX INCORPORATED SD-87746-001
		4 PLACES	± --- ± ---	DRAWN BY DATE	CGOH 2002/06/13		
		3 PLACES	± --- ± ---	CHECKED BY DATE	DSOH 2002/08/07		
2 PLACES	± 0.20 ± ---	APPROVED BY DATE	SKTOH 2002/08/08				
1 PLACE	± --- ± ---	ANGULAR ± 5 °		MATERIAL NO.	DOCUMENT NO.	SHEET NO.	
DRAFT WHERE APPLICABLE MUST REMAIN WITHIN DIMENSIONS			SEE TABLE	THIS DRAWING CONTAINS INFORMATION THAT IS PROPRIETARY TO MOLEX INCORPORATED AND SHOULD NOT BE USED WITHOUT WRITTEN PERMISSION		5 OF 5	