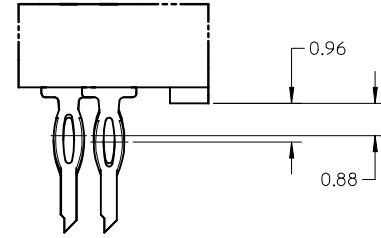


- NOTES:
- MATERIALS
 HOUSING - HIGH TEMP. NYLON, GLASS-FILLED, UL 94V-0.
 LATCH - HIGH TEMP. NYLON, GLASS-FILLED, UL 94V-0 - NATURAL
 POLYSULFONE, UL 94HB - CLEAR
 (COLOUR OF THE HOUSING AND LATCHES REFER TO TABLE ON SHEET 5 & 6).
 TERMINAL - PHOSPHOR BRONZE
 - FINISHES - CONTACT AREA - SEE TABLE IN SHEET 5.
 TAIL AREA - 15µIN(0.38µM) TO 60µIN(1.52µM) MIN.
 90/10 TIN/LEAD OR TIN OVER 50µIN(1.27µM) MIN. NICKEL.
 - REFER TO PRODUCT SPEC. PS-87746-002 FOR PERFORMANCE SPECIFICATIONS.
 - PRODUCT SHALL BE PACKED IN TRAY.
 - CARD SLOT ACCEPTS 1.27±0.10 MM MODULE THICKNESS. (MEASURED OVER P.C. PADS)
 - RECOMMENDED MODULE LAYOUT SHALL BE AS PER JEDEC MO-237.
 - RECOMMENDED PLATING ON MODULE PADS: 30µIN(0.76µM) MIN. HARD GOLD OVER 79µIN(2µM) MIN. NICKEL.
 - DIMM MODULE SEATING PLANE FROM TOP OF PCB.
 - PART NUMBER SHALL BE MARKED LEGIBLY AS : 87746 XXXX
 - DATE CODE SHALL BE MARKED LEGIBLY AS SHOWN : YYDDD
 - KEEP OUT CROSS HATCHED ARE RESERVED FOR SOCKET EJECTORS AT BOTH ENDS.
 - KEEP OUT ZONE IS HEIGHT LIMITED PER 11.



Detail5

PART NO UPDATED EC NO: S2009-0883 DRWN: TARUMGHAM 2009/05/22 CHKD: CGTAN 2009/05/22 APPR: SHLENI 2009/05/25	DESCRIPTION QUALITY SYMBOLS ▽=0 ◻=0	GENERAL TOLERANCES (UNLESS SPECIFIED)		DIMENSION STYLE	SCALE	DESIGN UNITS	THIRD ANGLE PROJECTION	
				MM ONLY	NTS	METRIC		
				DRAWN BY	DATE	TITLE		
		4 PLACES	± --- ± ---	CGOH	2002/06/13	DDR2 DIMM, 100MM PITCH 240 CKTS, VERT. PRESSFIT		
3 PLACES	± --- ± ---	CHECKED BY	DATE	MATERIAL NO.			SHEET NO.	
2 PLACES	± 0.20 ± ---	DSOH	2002/08/07	MOLEX MOLEX INCORPORATED			1 OF 6	
1 PLACE	± --- ± ---	APPROVED BY	DATE	DOCUMENT NO.				
ANGULAR ± 5 °		SKTOH	2002/08/08	SEE TABLE			SD-87746-001	
DRAFT WHERE APPLICABLE MUST REMAIN WITHIN DIMENSIONS		SIZE	THIS DRAWING CONTAINS INFORMATION THAT IS PROPRIETARY TO MOLEX INCORPORATED AND SHOULD NOT BE USED WITHOUT WRITTEN PERMISSION					

10 9 8 7 6 5 4 3 2 1

F

E

D

C

B

A

F

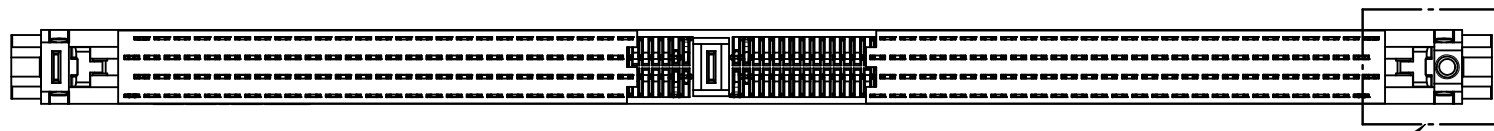
E

D

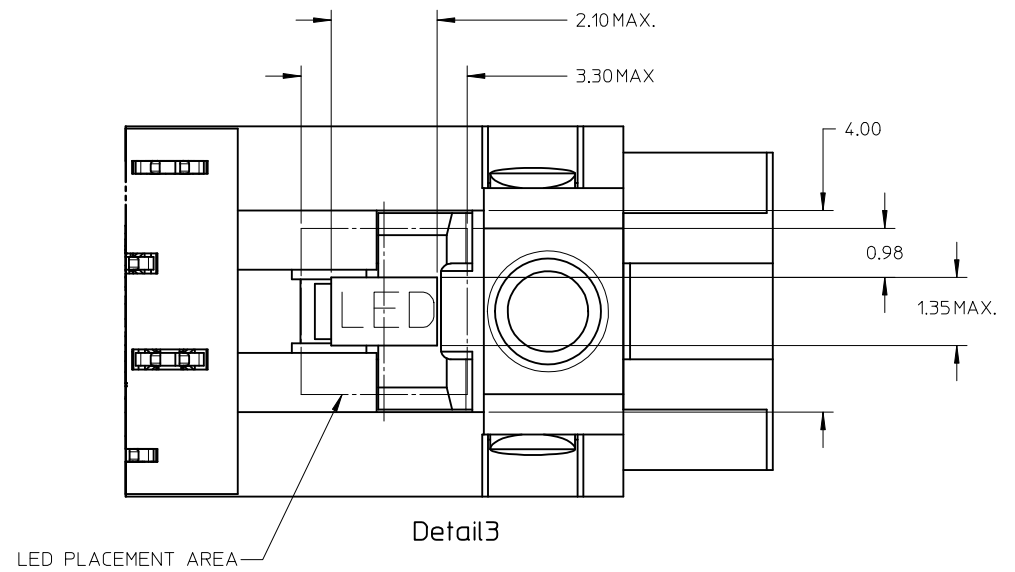
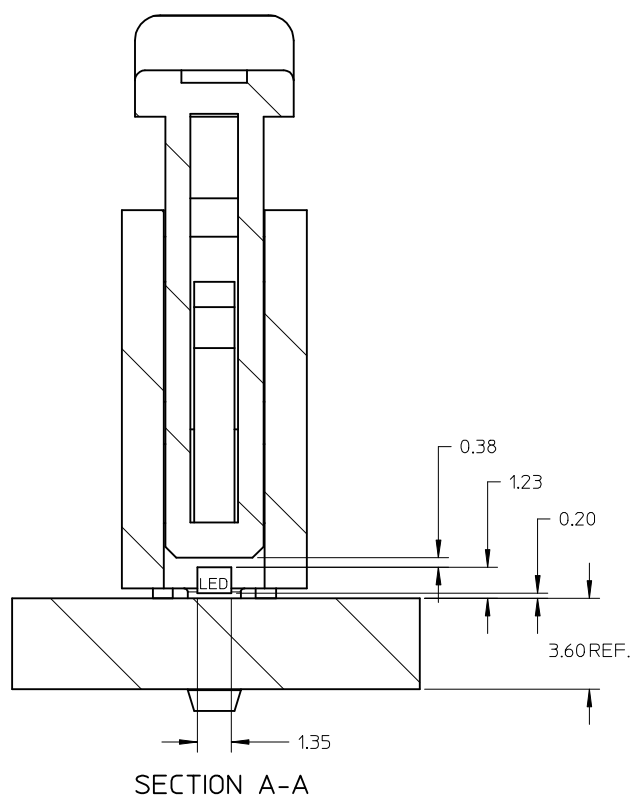
C

B

A



Detail3

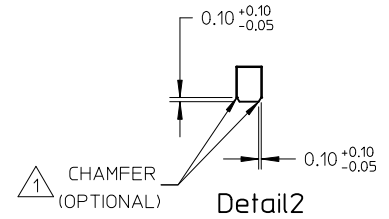
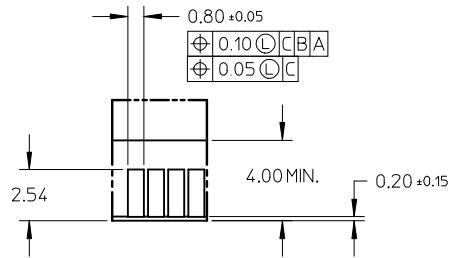
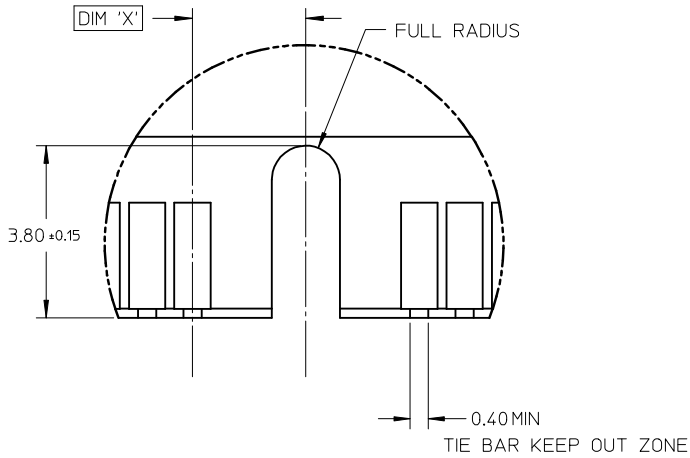
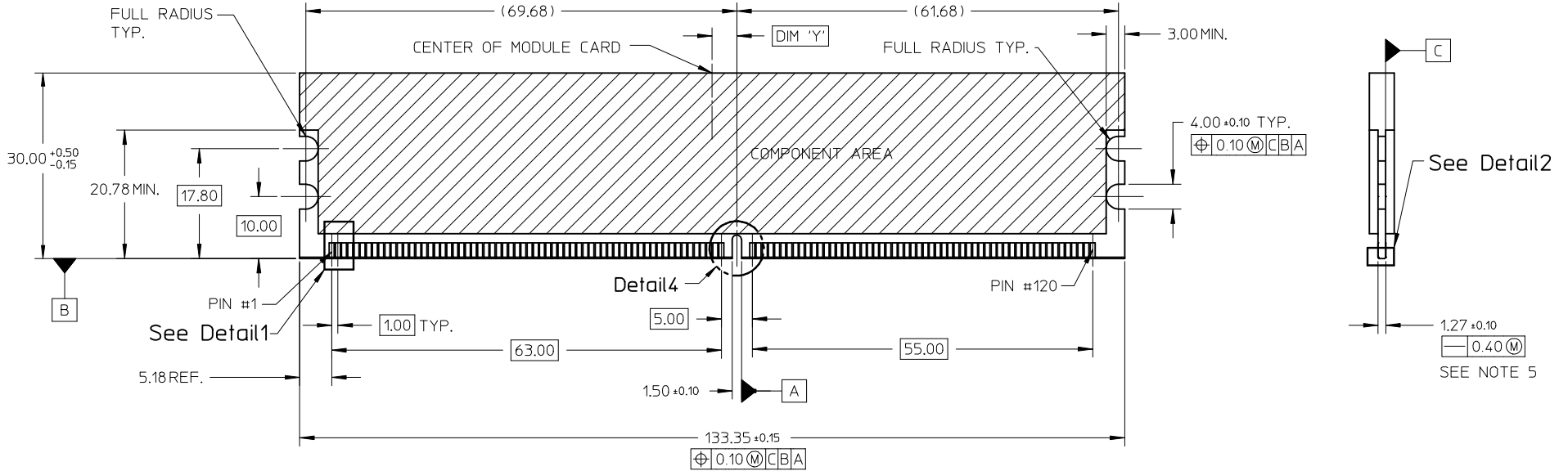


PART NO UPDATED EC NO: S2009-0883 DRWN: TARUMGHAM 2009/05/22 CHKD: CGTAN 2009/05/22 APPR: SILENI 2009/05/25 D8	QUALITY SYMBOLS ▽=0 ◻=0	GENERAL TOLERANCES (UNLESS SPECIFIED) mm INCH 4 PLACES ± --- ± --- 3 PLACES ± --- ± --- 2 PLACES ± 0.20 ± --- 1 PLACE ± --- ± --- ANGULAR ± 5 °	DIMENSION STYLE MM ONLY DRAWN BY CGOH DATE 2002/06/13 CHECKED BY DSOH DATE 2002/08/07 APPROVED BY SKTOH DATE 2002/08/08 MATERIAL NO. SEE TABLE	SCALE NTS DESIGN UNITS METRIC THIRD ANGLE PROJECTION	TITLE DDR2 DIMM, 100MM PITCH 240 CKTS, VERT. PRESSFIT
	DRAFT WHERE APPLICABLE MUST REMAIN WITHIN DIMENSIONS		MOLEX INCORPORATED DOCUMENT NO. SD-87746-001	SHEET NO. 2 OF 6	
	THIS DRAWING CONTAINS INFORMATION THAT IS PROPRIETARY TO MOLEX INCORPORATED AND SHOULD NOT BE USED WITHOUT WRITTEN PERMISSION				
	SIZE A3				

9 8 7 6 5 4 3 2 1

10 9 8 7 6 5 4 3 2 1

RECOMMENDED MODULE LAYOUT



KEY LOCATION	VOLTAGE	DIM 'X'	DIM 'Y'
CENTER	1.8V	2.50	4.00

Detail 4

Detail 1

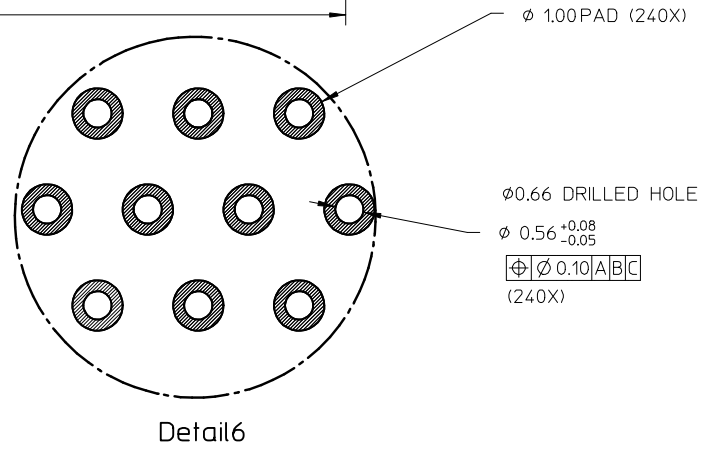
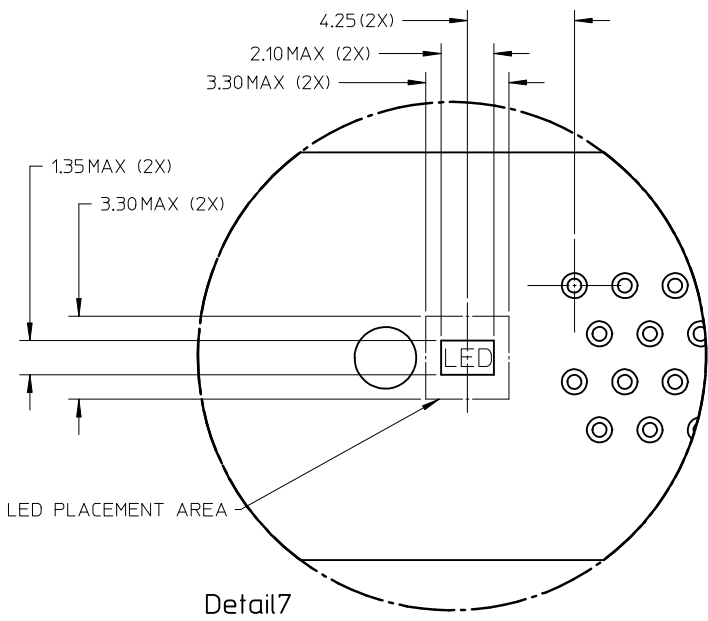
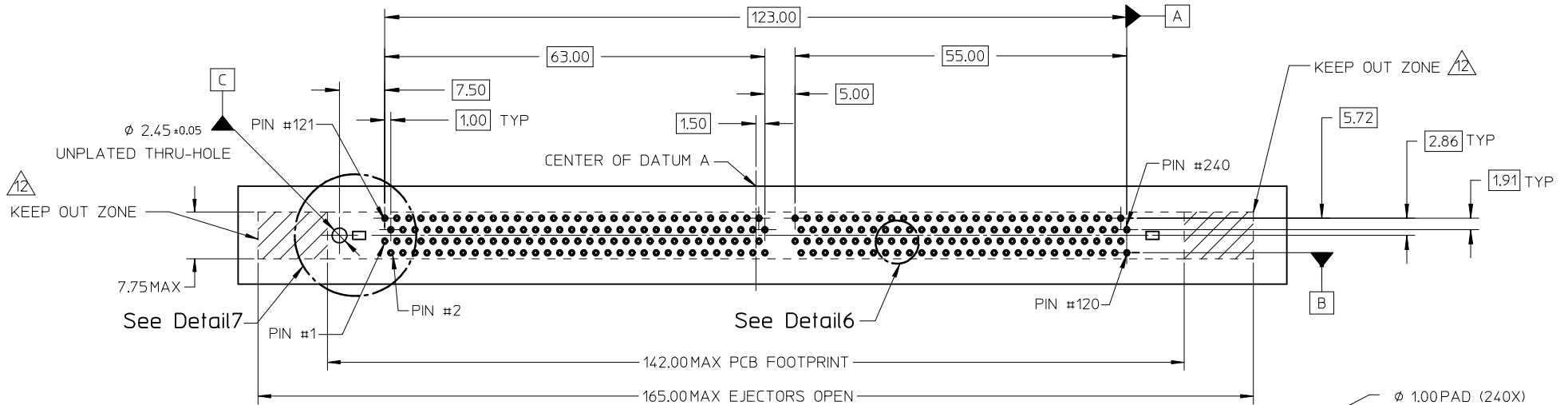
Detail 2

NOTES :
 1 MODULE CARD USED IN PRODUCT TESTING ARE CHAMFERED.

PART NO UPDATED EC NO: S2009-0883 DRWN: TARUNGHAM 2009/05/22 CHKD: CGTAN 2009/05/22 APPR: SHLENI 2009/05/25	QUALITY SYMBOLS ▽=0 ◻=0	GENERAL TOLERANCES (UNLESS SPECIFIED) mm INCH 4 PLACES ± --- ± --- 3 PLACES ± --- ± --- 2 PLACES ± 0.20 ± --- 1 PLACE ± --- ± --- ANGULAR ± 5 °	DIMENSION STYLE MM ONLY DRAWN BY: CGOH DATE: 2002/06/13 CHECKED BY: DS0H DATE: 2002/08/07 APPROVED BY: SKTOH DATE: 2002/08/08	SCALE NTS DESIGN UNITS METRIC THIRD ANGLE PROJECTION	TITLE DDR2 DIMM, 100MM PITCH 240 CKTS, VERT. PRESSFIT
	DRAFT WHERE APPLICABLE MUST REMAIN WITHIN DIMENSIONS	MATERIAL NO. SEE TABLE	MOLEX INCORPORATED DOCUMENT NO. SD-87746-001	SHEET NO. 3 OF 6	
	SIZE A3	THIS DRAWING CONTAINS INFORMATION THAT IS PROPRIETARY TO MOLEX INCORPORATED AND SHOULD NOT BE USED WITHOUT WRITTEN PERMISSION			
	REV D8				

9 8 7 6 5 4 3 2 1

RECOMMENDED PCB HOLE PATTERN
SEE TABLE IN SHEET 5 FOR
RECOMMENDED PCB THICKNESS



PART NO UPDATED EC NO: S2009-0883 DRWN: TARUMGHAM 2009/05/22 CHKD: CGTAN 2009/05/22 APPR: SHLENI 2009/05/25	QUALITY SYMBOLS ▽=0 ⊕=0	GENERAL TOLERANCES (UNLESS SPECIFIED)		DIMENSION STYLE MM ONLY		SCALE NTS	DESIGN UNITS METRIC	THIRD ANGLE PROJECTION			
			mm	INCH	DRAWN BY CGOH	DATE 2002/06/13	TITLE DDR2 DIMM, 100MM PITCH 240 CKTS, VERT. PRESSFIT				
		4 PLACES	± ---	± ---	CHECKED BY DSOH	DATE 2002/08/07	MOLEX INCORPORATED				
		3 PLACES	± ---	± ---	APPROVED BY SKTOH	DATE 2002/08/08					
2 PLACES	± 0.20	± ---	ANGULAR ± 5 °		MATERIAL NO.	DOCUMENT NO.	SHEET NO.				
1 PLACE	± ---	± ---	DRAFT WHERE APPLICABLE MUST REMAIN WITHIN DIMENSIONS		SIZE A3	SEE TABLE				SD-87746-001	4 OF 6

PART NO.	VOLTAGE KEY POS.	VOLTAGE KEY TEXT	TAIL LENGTH P±0.20	RECOMMENDED PCB THICKNESS	LUBRICATION	PLATING OPTION	LATCH COLOR	PLATING OPTION	HOUSING COLOR
87746-0001	CENTER	1.8V	4.20	4.57	NO	SELECTIVE GOLD 0.38µM/ 15µIN MIN. GOLD OVER 1.27µM/ 50µIN MIN. NICKEL			
87746-1001			3.30	3.60					
87746-0011	CENTER	1.8V	4.20	4.57	NO	SELECTIVE GOLD 0.76µM/ 30µIN MIN. GOLD OVER 1.27µM/ 50µIN MIN. NICKEL	NATURAL (OFF WHITE)		
87746-1011			3.30	3.60					
87746-0091	CENTER	1.8V	4.20	4.57	YES	SELECTIVE GOLD 0.76µM/ 30µIN MIN. GOLD OVER 1.27µM/ 50µIN MIN. NICKEL		TIN/LEAD	BLACK
87746-1091			3.30	3.60					
87746-5001	CENTER	1.8V	4.20	4.57	NO	SELECTIVE GOLD 0.38µM/ 15µIN MIN. GOLD OVER 1.27µM/ 50µIN MIN. NICKEL			
87746-5101			3.30	3.60					
87746-5011	CENTER	1.8V	4.20	4.57	NO	SELECTIVE GOLD 0.76µM/ 30µIN MIN. GOLD OVER 1.27µM/ 50µIN MIN. NICKEL	CLEAR		
87746-5111			3.30	3.60					
87746-5091	CENTER	1.8V	4.20	4.57	YES	SELECTIVE GOLD 0.76µM/ 30µIN MIN. GOLD OVER 1.27µM/ 50µIN MIN. NICKEL			
87746-5191			3.30	3.60					

PART NO UPDATED EC NO: S2009-0883 DRWN: TARUUGHAM 2009/05/22 CHKD: CGTAN 2009/05/22 APPR: SILENI 2009/05/25	QUALITY SYMBOLS	GENERAL TOLERANCES (UNLESS SPECIFIED)	DIMENSION STYLE	SCALE	DESIGN UNITS	THIRD ANGLE PROJECTION
	▼=0 □=0	mm INCH 4 PLACES ± --- ± --- 3 PLACES ± --- ± --- 2 PLACES ± 0.20 ± --- 1 PLACE ± --- ± --- ANGULAR ± 5 °	MM ONLY	NTS	METRIC	☉ □ THIRD ANGLE PROJECTION
	DESCRIPTION	DRAWN BY	DATE	TITLE		
		CGOH	2002/06/13	DDR2 DIMM, 100MM PITCH 240 CKTS, VERT. PRESSFIT		
		DSOH	2002/08/07	APPROVED BY		
	SKTOH	2002/08/08	DATE			
	MATERIAL NO.	DOCUMENT NO.			SHEET NO.	
		SEE TABLE			SD-87746-001	
		THIS DRAWING CONTAINS INFORMATION THAT IS PROPRIETARY TO MOLEX INCORPORATED AND SHOULD NOT BE USED WITHOUT WRITTEN PERMISSION				

PART NO.	VOLTAGE KEY POS.	VOLTAGE KEY TEXT	TAIL LENGTH P±0.20	RECOMMENDED PCB THICKNESS	LUBRICATION	PLATING OPTION	LATCH COLOR	PLATING OPTION	HOUSING COLOR			
87746-8001	CENTER	1.8V	4.20	4.57	NO	SELECTIVE GOLD 0.38µM/ 15µIN MIN. GOLD OVER 1.27µM/ 50µIN MIN. NICKEL	NATURAL (OFF WHITE)	TIN	BLACK			
87746-9001			3.30	3.60								
87746-8011	CENTER	1.8V	4.20	4.57	NO	SELECTIVE GOLD 0.76µM/ 30µIN MIN. GOLD OVER 1.27µM/ 50µIN MIN. NICKEL						
87746-9011			3.30	3.60								
87746-8091	CENTER	1.8V	4.20	4.57	YES	SELECTIVE GOLD 0.76µM/ 30µIN MIN. GOLD OVER 1.27µM/ 50µIN MIN. NICKEL						
87746-9091			3.30	3.60								
87746-5201	CENTER	1.8V	4.20	4.57	NO	SELECTIVE GOLD 0.38µM/ 15µIN MIN. GOLD OVER 1.27µM/ 50µIN MIN. NICKEL				CLEAR	TIN	BLACK
87746-5301			3.30	3.60								
87746-5211	CENTER	1.8V	4.20	4.57	NO	SELECTIVE GOLD 0.76µM/ 30µIN MIN. GOLD OVER 1.27µM/ 50µIN MIN. NICKEL						
87746-5311			3.30	3.60								
87746-5291	CENTER	1.8V	4.20	4.57	YES	SELECTIVE GOLD 0.76µM/ 30µIN MIN. GOLD OVER 1.27µM/ 50µIN MIN. NICKEL						
87746-5391			3.30	3.60								
87746-5381			3.30	3.60								

PART NO UPDATED EC NO: S2009-0883 DRWN: TARUUGHAM 2009/05/22 CHKD: CGTAN 2009/05/22 APPR: SILENI 2009/05/25	QUALITY SYMBOLS	GENERAL TOLERANCES (UNLESS SPECIFIED)	DIMENSION STYLE	SCALE	DESIGN UNITS	THIRD ANGLE PROJECTION
	▽=0 ◻=0	mm INCH	MM ONLY	NTS	METRIC	
		4 PLACES ± --- ± ---	DRAWN BY DATE	TITLE		
		3 PLACES ± --- ± ---	CGOH 2002/06/13	DDR2 DIMM, 100MM PITCH 240 CKTS, VERT. PRESSFIT		
		2 PLACES ± 0.20 ± ---	CHECKED BY DATE	MOLEX INCORPORATED		
	1 PLACE ± --- ± ---	DSOH 2002/08/07	DOCUMENT NO.			
	ANGULAR ± 5 °	APPROVED BY DATE	SD-87746-001			
		SKTOH 2002/08/08	SHEET NO.			
		MATERIAL NO.	6 OF 6			
		SEE TABLE	THIS DRAWING CONTAINS INFORMATION THAT IS PROPRIETARY TO MOLEX INCORPORATED AND SHOULD NOT BE USED WITHOUT WRITTEN PERMISSION			