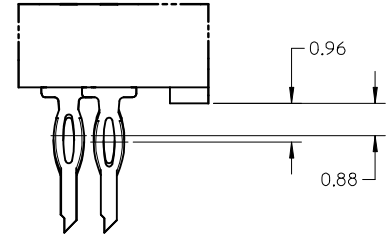


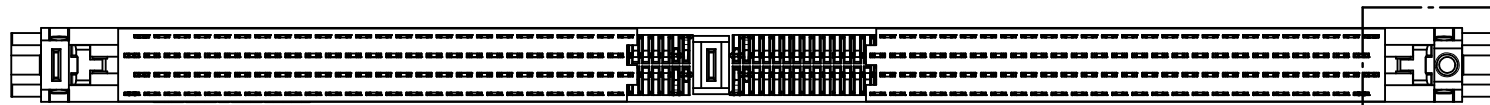
- NOTES:
- MATERIALS
HOUSING - HIGH TEMP. NYLON, GLASS-FILLED, UL 94V-0.
LATCH - HIGH TEMP. NYLON, GLASS-FILLED, UL 94V-0 - NATURAL
POLYSULFONE, UL 94HB - CLEAR
(COLOUR OF THE HOUSING AND LATCHES REFER TO TABLE ON SHEET 5 & 6).
TERMINAL - PHOSPHOR BRONZE
 - FINISHES - CONTACT AREA - SEE TABLE IN SHEET 5.
TAIL AREA - 15µIN(0.38µM) TO 60µIN(1.52µM) MIN.
TIN OVER 50µIN(1.27µM) MIN. NICKEL.
 - REFER TO PRODUCT SPEC. PS-87746-002 FOR PERFORMANCE SPECIFICATIONS.
 - PRODUCT SHALL BE PACKED IN TRAY.
 - CARD SLOT ACCEPTS 1.27±0.10 MM MODULE THICKNESS. (MEASURED OVER P.C. PADS)
 - RECOMMENDED MODULE LAYOUT SHALL BE AS PER JEDEC MO-237.
 - RECOMMENDED PLATING ON MODULE PADS: 30µIN(0.76µM) MIN. HARD GOLD OVER 79µIN(2µM) MIN. NICKEL.
 - DIMM MODULE SEATING PLANE FROM TOP OF PCB.
 - PART NUMBER SHALL BE MARKED LEGIBLY AS : 87746 XXXX
 - DATE CODE SHALL BE MARKED LEGIBLY AS SHOWN : YYDDD
 - KEEP OUT CROSS HATCHED ARE RESERVED FOR SOCKET EJECTORS AT BOTH ENDS.
 - KEEP OUT ZONE IS HEIGHT LIMITED PER 11.



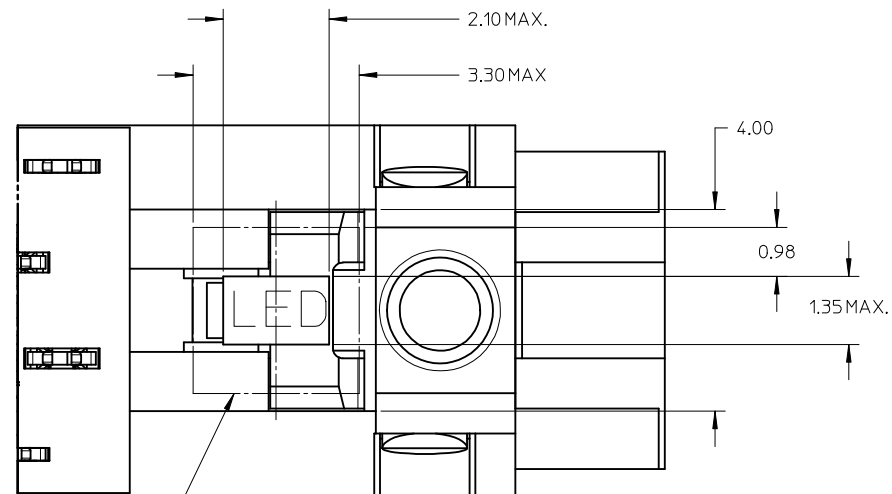
Detail5

OBS DOC & P/N EC NO: S2014-0372 DRWN:SKANG CHKD:MLONG APPR:MLONG	2014/01/07 2014/01/15 2014/01/15	DESCRIPTION REV	QUALITY SYMBOLS ▽=0 ◻=0	GENERAL TOLERANCES (UNLESS SPECIFIED)	DIMENSION STYLE MM ONLY	SCALE NTS	DESIGN UNITS METRIC	THIRD ANGLE PROJECTION	
				mm INCH	DRAWN BY CGOH	DATE 2002/06/13	TITLE DDR2 DIMM, 100MM PITCH 240 CKTS, VERT. PRESSFIT		
				4 PLACES ± --- ± ---	CHECKED BY DSOH	DATE 2002/08/07	MATERIAL NO. SKTOH		
				3 PLACES ± --- ± ---	APPROVED BY SKTOH	DATE 2002/08/08	DOCUMENT NO. SD-87746-001		
	2 PLACES ± 0.20 ± ---	ANGULAR ± 5 °		SEE TABLE		SHEET NO. 1 OF 5			
	1 PLACE ± --- ± ---	DRAFT WHERE APPLICABLE MUST REMAIN WITHIN DIMENSIONS		THIS DRAWING CONTAINS INFORMATION THAT IS PROPRIETARY TO MOLEX INCORPORATED AND SHOULD NOT BE USED WITHOUT WRITTEN PERMISSION					

10 9 8 7 6 5 4 3 2 1

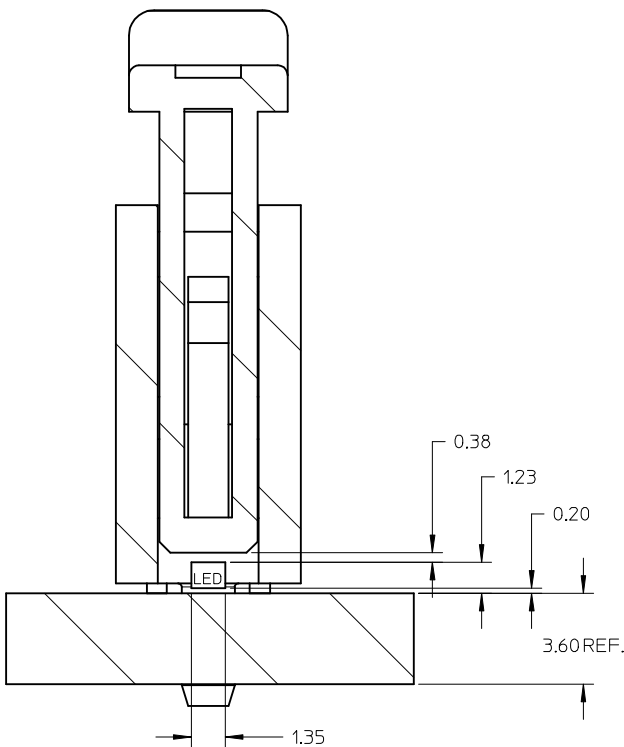


Detail3



Detail3

LED PLACEMENT AREA



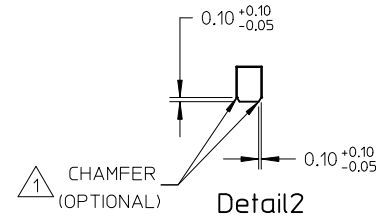
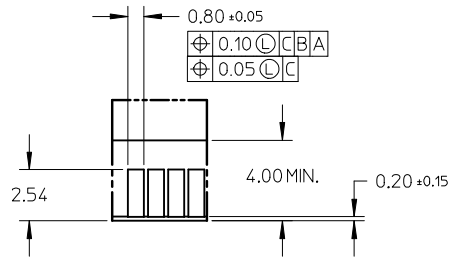
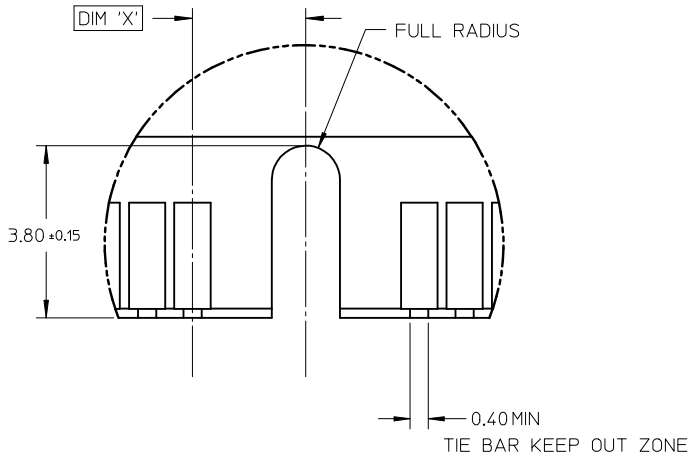
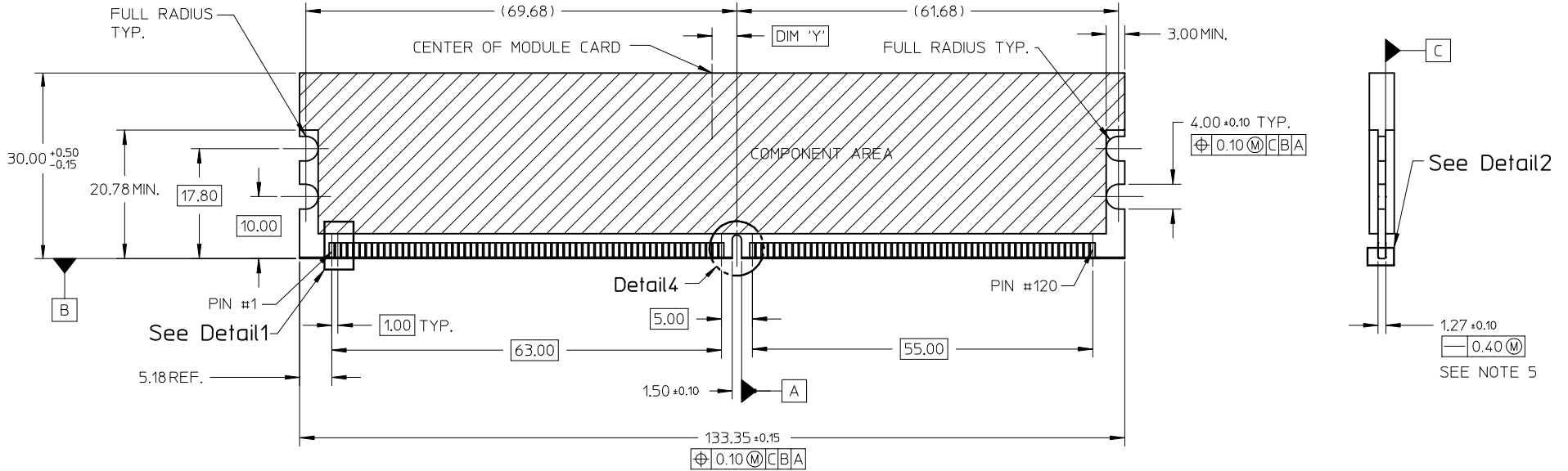
SECTION A-A

OBS DOC & P/N EC NO: S2014-0372 DRWN:SKANG 2014/01/07 CHKD:MLONG 2014/01/15 APPR:MLONG 2014/01/15	QUALITY SYMBOLS ▽=0 ∇=0	GENERAL TOLERANCES (UNLESS SPECIFIED) mm INCH 4 PLACES ± --- ± --- 3 PLACES ± --- ± --- 2 PLACES ± 0.20 ± --- 1 PLACE ± --- ± --- ANGULAR ± 5 °	DIMENSION STYLE MM ONLY DRAWN BY CGOH DATE 2002/06/13 CHECKED BY DSOH DATE 2002/08/07 APPROVED BY SKTOH DATE 2002/08/08	SCALE NTS DESIGN UNITS METRIC THIRD ANGLE PROJECTION	TITLE DDR2 DIMM, 100MM PITCH 240 CKTS, VERT. PRESSFIT
	DRAFT WHERE APPLICABLE MUST REMAIN WITHIN DIMENSIONS	MATERIAL NO. SEE TABLE	MOLEX INCORPORATED DOCUMENT NO. SD-87746-001	SHEET NO. 2 OF 5	
	THIS DRAWING CONTAINS INFORMATION THAT IS PROPRIETARY TO MOLEX INCORPORATED AND SHOULD NOT BE USED WITHOUT WRITTEN PERMISSION				
	SIZE A3				

9 8 7 6 5 4 3 2 1

10 9 8 7 6 5 4 3 2 1

RECOMMENDED MODULE LAYOUT



KEY LOCATION	VOLTAGE	DIM 'X'	DIM 'Y'
CENTER	1.8V	2.50	4.00

Detail4

Detail1

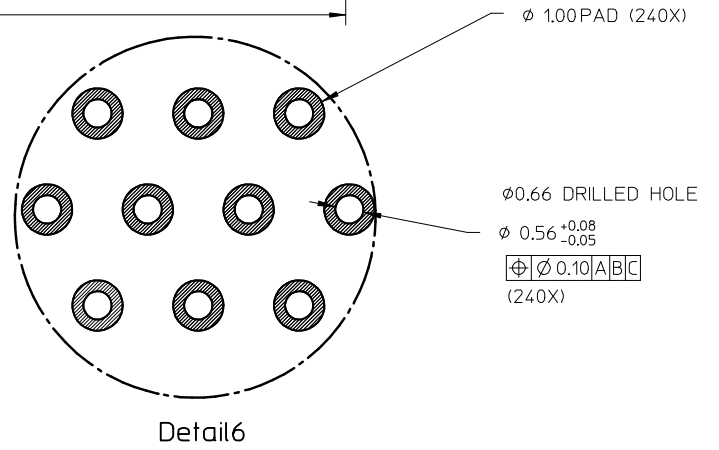
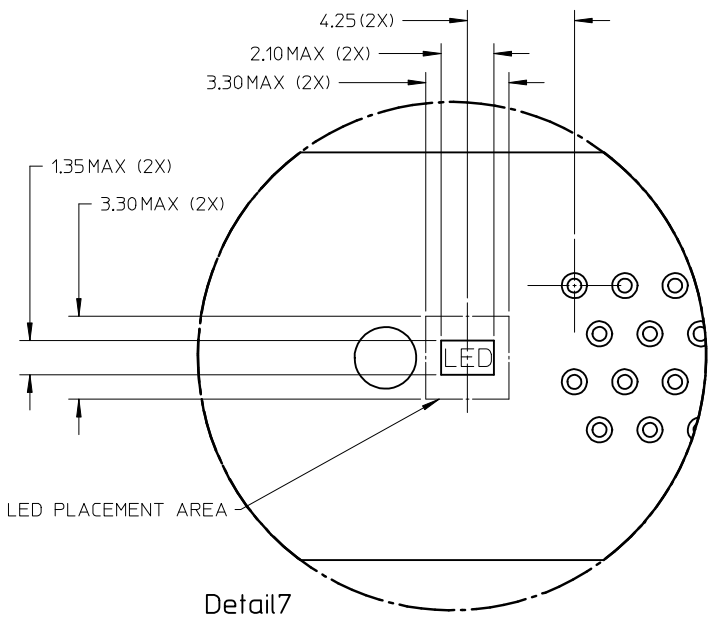
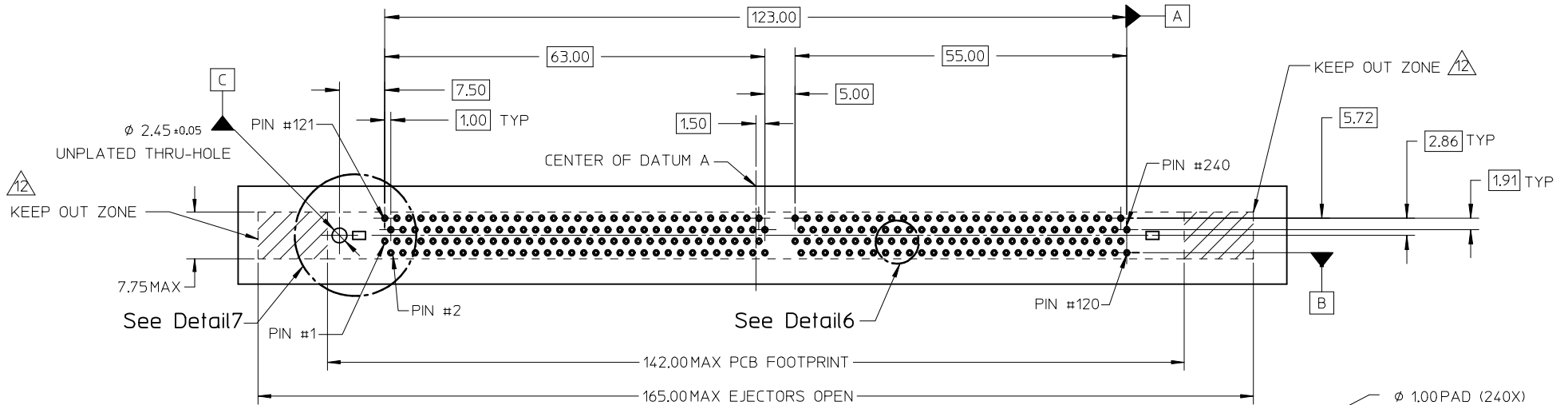
Detail2

NOTES :
 1 MODULE CARD USED IN PRODUCT TESTING ARE CHAMFERED.

OBS DOC & P/N EC NO: S2014-0372 DRWN:SKANG 2014/01/07 CHKD:MLONG 2014/01/15 APPR:MLONG 2014/01/15	QUALITY SYMBOLS	GENERAL TOLERANCES (UNLESS SPECIFIED)	DIMENSION STYLE	SCALE	DESIGN UNITS	THIRD ANGLE PROJECTION
	▼=0 C=0	mm INCH 4 PLACES ± --- ± --- 3 PLACES ± --- ± --- 2 PLACES ± 0.20 ± --- 1 PLACE ± --- ± --- ANGULAR ± 5 °	MM ONLY	NTS	METRIC	
	DRAWN BY CGOH CHECKED BY DSOH APPROVED BY SKTOH	DATE 2002/06/13 DATE 2002/08/07 DATE 2002/08/08	TITLE			DDR2 DIMM, 100MM PITCH 240 CKTS, VERT. PRESSFIT
	MATERIAL NO. SKTOH	DATE 2002/08/08	MOLEX INCORPORATED SD-87746-001	SHEET NO. 3 OF 5		

9 8 7 6 5 4 3 2 1

RECOMMENDED PCB HOLE PATTERN
SEE TABLE IN SHEET 5 FOR
RECOMMENDED PCB THICKNESS



OBS DOC & P/N EC NO: S2014-0372 DRWN:SKANG CHKD:MLONG APPR:MLONG	2014/01/07	QUALITY SYMBOLS ▽=0 ⊕=0	GENERAL TOLERANCES (UNLESS SPECIFIED)		DIMENSION STYLE MM ONLY		SCALE NTS	DESIGN UNITS METRIC	THIRD ANGLE PROJECTION	
	2014/01/15		mm	INCH	DRAWN BY CGOH	DATE 2002/06/13	TITLE DDR2 DIMM, 100MM PITCH 240 CKTS, VERT. PRESSFIT			
	2014/01/15		4 PLACES ± --- ± ---	3 PLACES ± --- ± ---	CHECKED BY DSOH	DATE 2002/08/07	MATERIAL NO. SKTOH			
	2014/01/15		2 PLACES ± 0.20 ± ---	1 PLACE ± --- ± ---	APPROVED BY SKTOH	DATE 2002/08/08	DOCUMENT NO. SD-87746-001			
REV			ANGULAR ± 5 °		SEE TABLE		MOLEX INCORPORATED		SHEET NO. 4 OF 5	
DRAFT WHERE APPLICABLE MUST REMAIN WITHIN DIMENSIONS			SIZE A3		THIS DRAWING CONTAINS INFORMATION THAT IS PROPRIETARY TO MOLEX INCORPORATED AND SHOULD NOT BE USED WITHOUT WRITTEN PERMISSION					

PART NO.	VOLTAGE KEY POS.	VOLTAGE KEY TEXT	TAIL LENGTH P±0.20	RECOMMENDED PCB THICKNESS	LUBRICATION	PLATING OPTION	LATCH COLOR	HOUSING COLOR
87746-8001	CENTER	1.8V	4.20	4.57	NO	SELECTIVE GOLD 0.38µM/ 15µIN MIN. GOLD OVER 1.27µM/ 50µIN MIN. NICKEL	NATURAL (OFF WHITE)	BLACK
87746-9001			3.30	3.60				
87746-9011	CENTER	1.8V	3.30	3.60	NO	SELECTIVE GOLD 0.76µM/ 30µIN MIN. GOLD OVER 1.27µM/ 50µIN MIN. NICKEL	CLEAR	
87746-8091	CENTER	1.8V	4.20	4.57	YES			
87746-9091			3.30	3.60				
87746-5201	CENTER	1.8V	4.20	4.57	NO	SELECTIVE GOLD 0.38µM/ 15µIN MIN. GOLD OVER 1.27µM/ 50µIN MIN. NICKEL	CLEAR	
87746-5301			3.30	3.60				
87746-5211	CENTER	1.8V	4.20	4.57	NO	SELECTIVE GOLD 0.76µM/ 30µIN MIN. GOLD OVER 1.27µM/ 50µIN MIN. NICKEL	CLEAR	
87746-5311			3.30	3.60				
87746-5291	CENTER	1.8V	4.20	4.57	YES	SELECTIVE GOLD 0.76µM/ 30µIN MIN. GOLD OVER 1.27µM/ 50µIN MIN. NICKEL	CLEAR	
87746-5391			3.30	3.60				
87746-5381			3.30	3.60				

OBS DOC & P/N EC NO: S2014-0372 DRWN:SKANG 2014/01/07 CHKD:MLONG 2014/01/15 APPR:MLONG 2014/01/15	QUALITY SYMBOLS	GENERAL TOLERANCES (UNLESS SPECIFIED)	DIMENSION STYLE	SCALE	DESIGN UNITS	THIRD ANGLE PROJECTION
	▽=0 ◻=0	mm INCH	MM ONLY	NTS	METRIC	
		4 PLACES ± --- ± ---	DRAWN BY DATE	TITLE		
		3 PLACES ± --- ± ---	CGOH 2002/06/13	DDR2 DIMM, 100MM PITCH 240 CKTS, VERT. PRESSFIT		
	2 PLACES ± 0.20 ± ---	CHECKED BY DATE	MOLEX INCORPORATED			
	1 PLACE ± --- ± ---	DSOH 2002/08/07	SD-87746-001			
	ANGULAR ± 5 °	APPROVED BY DATE	SHEET NO.			
		SKTOH 2002/08/08	5 OF 5			
	DRAFT WHERE APPLICABLE MUST REMAIN WITHIN DIMENSIONS	MATERIAL NO.	DOCUMENT NO.			
		SEE TABLE	SD-87746-001			
		SIZE A3	THIS DRAWING CONTAINS INFORMATION THAT IS PROPRIETARY TO MOLEX INCORPORATED AND SHOULD NOT BE USED WITHOUT WRITTEN PERMISSION			