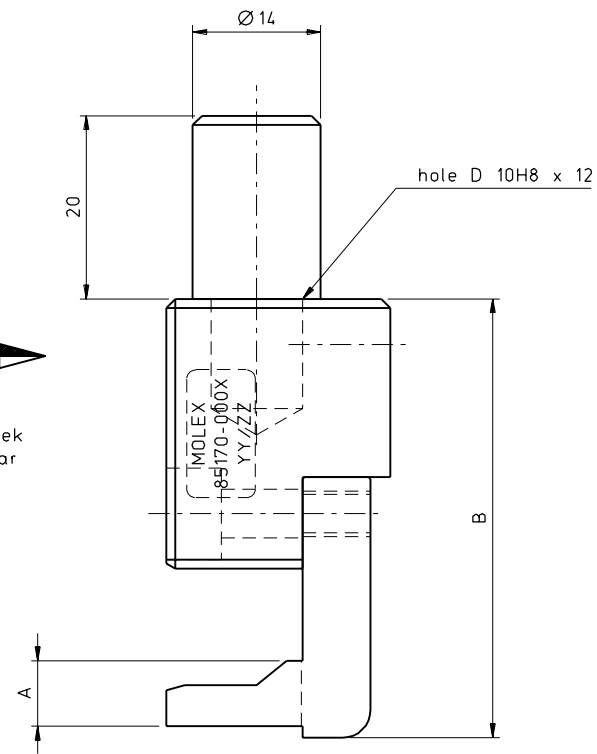
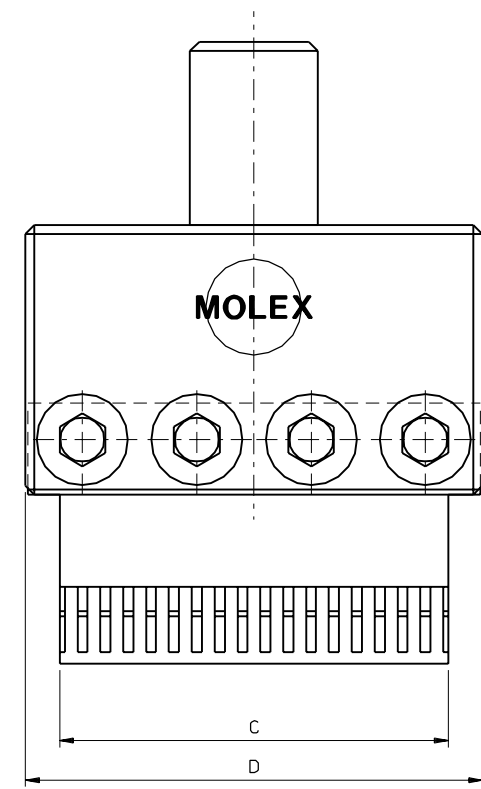


PART NO.
DWG. NO.

YY = week
ZZ = year



View Z



Mat. Nr.	Description	A	B	C	D
85170-0001	Press tool Vertical female 4SU/22	10.7	71.45	92.5	100
85170-0002	Press tool Vertical female 4SU/18.5	7.2	67.95	92.5	100
85170-0003	Press tool Vertical female 2SU/22	10.7	51.45	42.5	50
85170-0004	Press tool Vertical female 2SU/18.5	7.2	47.95	42.5	50
85170-0005	Press tool Vertical female 1SU/22	10.7	51.45	17.5	25
85170-0006	Press tool Vertical female 1SU/18.5	7.2	47.95	17.5	25

EC NO. 2502 DRWN: T. Betz 4 / 6 2/97 CHK: / / / APPR: / / / A	DESCRIPTION MAJOR = CRITICAL = C =	GENERAL TOLERANCES: (UNLESS SPECIFIED)		SCALE 2:1	DESIGN UNITS <input checked="" type="checkbox"/> mm <input type="checkbox"/> INCH	THIRD ANGLE PROJECTION	DIMENSIONS: <input type="checkbox"/> mm <input type="checkbox"/> INCH <input checked="" type="checkbox"/> mm ONLY	SHT REV
		4 PLACES ±0. ±.	DRAWN BY & DATE T.B. 4 / 10 / 95	TITLE: Omnigrid Press Tool Vertical Female				
		3 PLACES ±0. ±.	CHECKED BY & DATE / /	MOLEX INCORPORATED				
		2 PLACES ±0. ±.	APPROVED BY & DATE / /	CAD FILENAME 85170001.S01	MATERIAL NO. see chart SD	DRAWING NO. -85170-001	SHEET NO. 10F 1	
1 PLACE ±0. ±.	ANGLAR: ± 1/2 °	THIS DRAWING CONTAINS INFORMATION THAT IS PROPRIETARY TO MOLEX INCORPORATED AND SHOULD NOT BE USED WITHOUT WRITTEN PERMISSION.			SIZE B			
DRAFT WHERE APPLICABLE MUST REMAIN WITHIN DIMENSIONS								