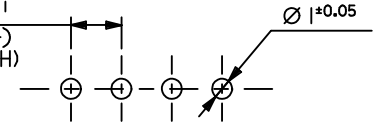


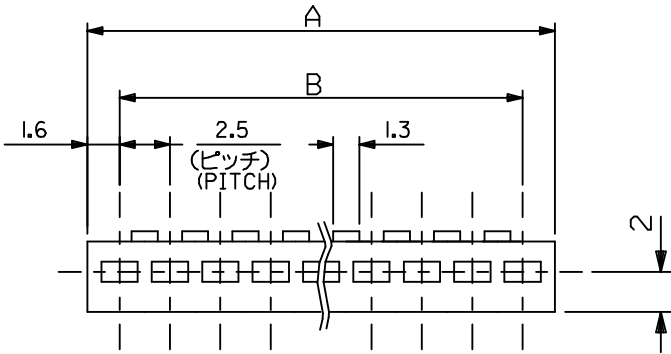
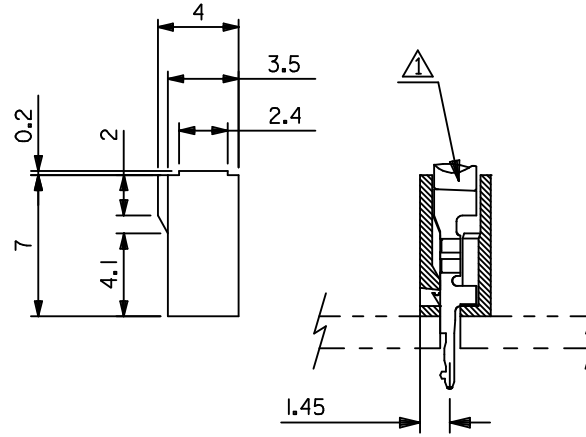
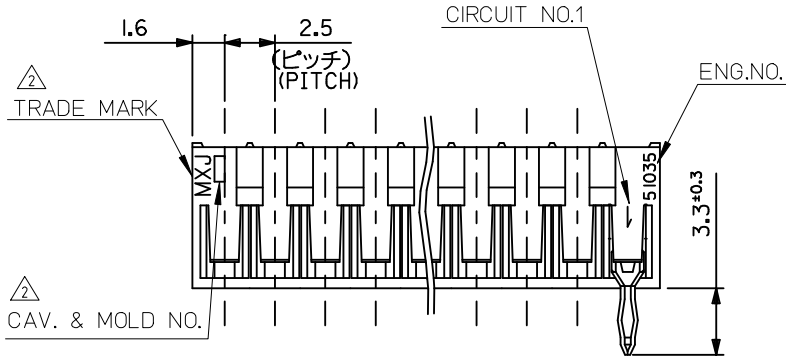
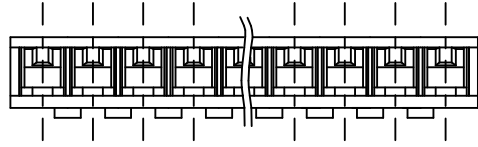
**注記
NOTE**

- △ 適合ターミナル: 500978*00
APPLICABLE: 500978*00
- △ トレードマーク: MXJにて表示。
キャビティー番号: 1桁から2桁の数字にて表示。 金型番号: アルファベット1文字にて表示。
TRADE MARK IS FORMED BY MXJ.
AND BY 1-2 DIGIT NUMBER (TO CAVITY NO.)
AND BY 1 LETTER OD ALPHABET (TO MOLD NO.)
- 3. ELV及びRoHS適合品
ELV AND RoHS COMPLIANT.

(公差非累積)
(NON-ACCUMULATIVE)
2.5^{+0.1}
(ピッチ)
(PITCH)



基板取付穴推奨寸法 (基板厚: 1.6mm)
RECOMMENDED PC BOARD HOLE DIMENSION
(THICKNESS: 1.6mm)



| | | | | |
|------|------|-----------|------|------------------------|
| 42.5 | 45.7 | 51035 | 1800 | 18 |
| 37.5 | 40.7 | ↑ | 1600 | 16 |
| 35.0 | 38.2 | | 1500 | 15 |
| 32.5 | 35.7 | | 1400 | 14 |
| 30.0 | 33.2 | | 1300 | 13 |
| 27.5 | 30.7 | | 1200 | 12 |
| 25.0 | 28.2 | | 1100 | 11 |
| 22.5 | 25.7 | | 1000 | 10 |
| 20.0 | 23.2 | | 0900 | 9 |
| 17.5 | 20.7 | | 0800 | 8 |
| 15.0 | 18.2 | | 0700 | 7 |
| 12.5 | 15.7 | | 0600 | 6 |
| 10.0 | 13.2 | | 0500 | 5 |
| 7.5 | 10.7 | | 0400 | 4 |
| 5.0 | 8.2 | | 0300 | 3 |
| 2.5 | 5.7 | 51035 | 0200 | 2 |
| B | A | ORDER NO. | | 機 電 C K T. |

| | |
|----------------------|-----------------------------------|
| 材料 MATERIAL | POLYAMIDE, UL94V-0 |
| 適用電線範囲 WIRE RANGE | AWGH24~20,KV0.2~0.5 AVS0.3~0.5 |
| 被覆外径 INS. RANGE | φ1.3~2.1 |

| | | | | | | | |
|---|---------------------------------------|--------------|----------------------------|--------------------|-------------------------------------|------------------------|------------------------|
| REVISIONS EC NO.: J2016-0744 2016/01/18 DRWN: CHEJ1 2016/01/18 CHKD: SAKIYAMA 2016/01/27 APPR: IKANEKO | GENERAL TOLERANCES (UNLESS SPECIFIED) | | DIMENSION STYLE MM ONLY | | SCALE 4:1 | DESIGN UNITS METRIC | THIRD ANGLE PROJECTION |
| | 10 UNDER | ± 0.2 | DRAWN BY KSANO | DATE 1996/06/30 | TITLE 2.5 BOARD IN CONN. HOUSING | | |
| | 10 OVER 30 UNDER | ± 0.25 | CHECKED BY MSAKANO | DATE 1996/06/30 | | | |
| | 30 OVER | ± 0.3 | APPROVED BY MENOMOTO | DATE 1996/06/30 | | | |
| ANGULAR | ± 3 ° | MATERIAL NO. | | DOCUMENT NO. | | SHEET NO. | |
| DRAFT WHERE APPLICABLE MUST REMAIN WITHIN DIMENSIONS | | SEE CHART | | SD-51035-001 | | 1 OF 1 | |
| THIS DRAWING CONTAINS INFORMATION THAT IS PROPRIETARY TO MOLEX INCORPORATED AND SHOULD NOT BE USED WITHOUT WRITTEN PERMISSION | | | | | | | |